

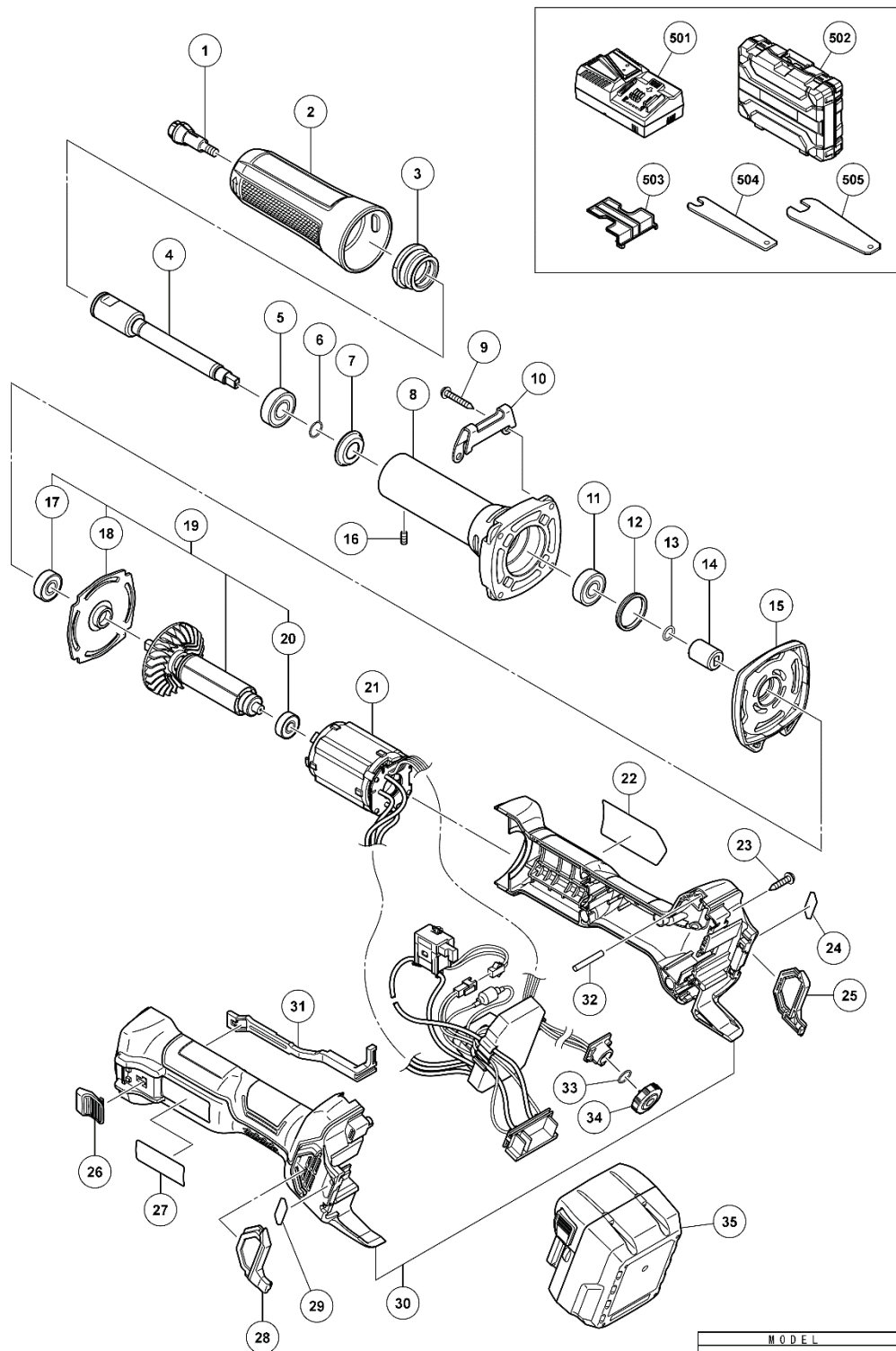
ELECTRIC TOOL PARTS LIST

JIG SAW

Model CJ 36DA

2021 • 03 • 08

(E1)



MODEL
GP18DA

STANDARD ACCESSORIES

GP18DA

ITEM NO.	CODE NO.	DESCRIPTION	NO. USED	REMARKS
504	936553	WRENCH 12MM	1	
505	936638	WRENCH 17MM	1	

OPTIONAL ACCESSORIES

ITEM NO.	CODE NO.	DESCRIPTION	NO. USED	REMARKS
621	939120	DRESSER C36PV	1	
622	331477	COLLET CHUCK 5/16"	1	
623	932624	COLLET CHUCK 3MM	1	
625	985136	COLLET CHUCK 1/8"	1	
627	324548	SIDE HANDLE	1	
628	330061	FLANGED SLEEVE	1	
629	371325	SIDE HANDLE SLEEVE ASS'Y	1	INCLUD.627.628