

## Multipurpose tool - 3 601 HB5 010 - GOP12V-28

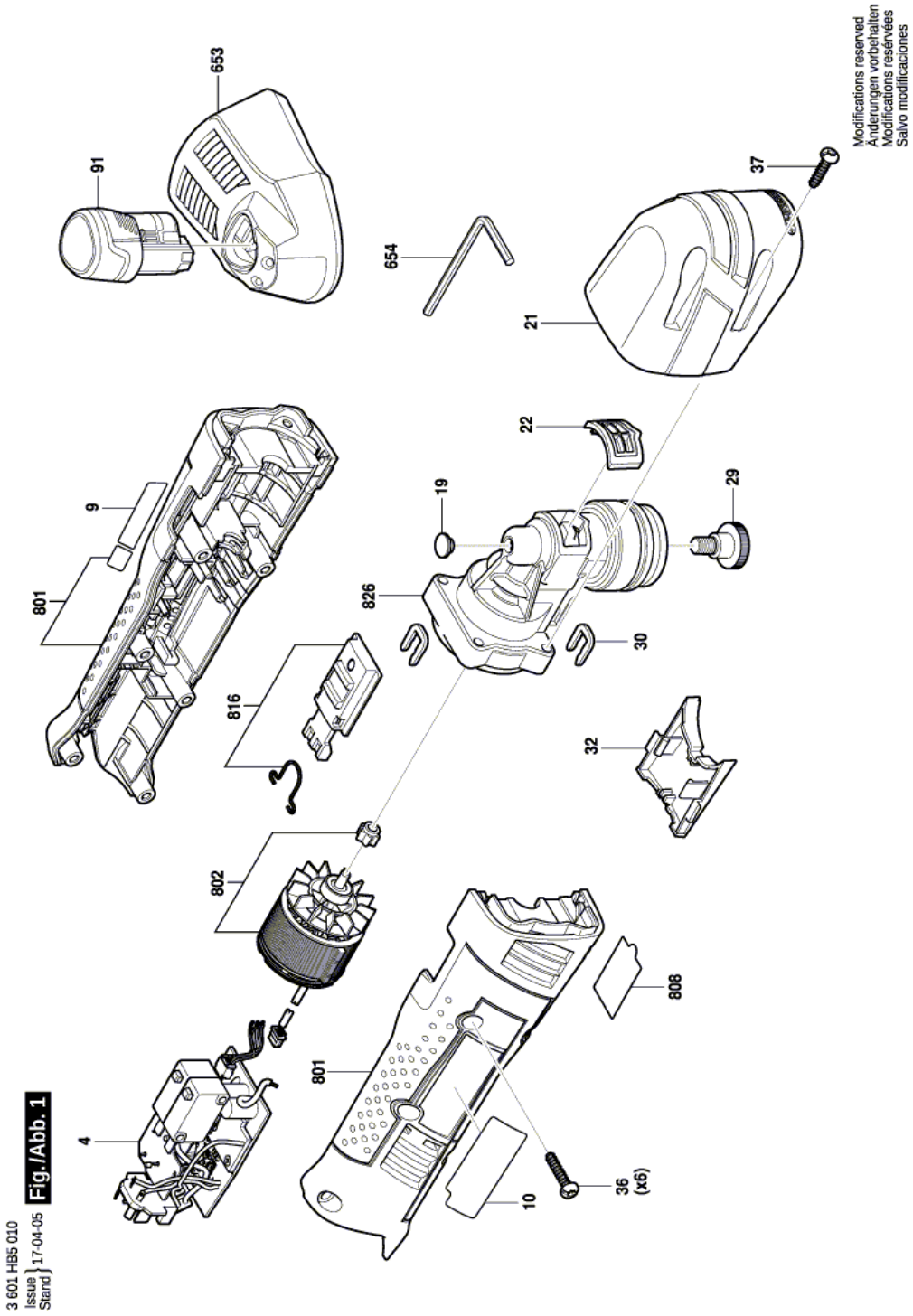
[www.powertools-aftersaleservice.com](http://www.powertools-aftersaleservice.com)



**BOSCH**

Item	Part Number	Description	Illustration	Price	Quantity	Price Group
4	1 607 233 5D5	Electronics Module	1	-,-	1	44
9	1 601 11C 27G	Manufacturer's nameplate GOP 12V-28	1	-,-	1	13
10	1 601 11C 27H	Warning Label	1	-,-	1	13
19	2 609 170 308	Sealing cap	1	-,-	1	11
21	2 609 101 760	Cap	1	-,-	1	19
22	2 609 170 083	Sealing cap	1	-,-	1	10
29	2 609 112 252	Fastening Screw	1	-,-	1	12
30	2 609 110 537	Clip	1	-,-	2	11
32	2 609 101 761	Safety Cover	1	-,-	1	11
36	2 603 490 023	Torx Oval-Head Screw 4x20	1	-,-	6	10
37	2 609 112 264	Torx Oval-Head Screw	1	-,-	4	10
91	1 607 A35 0C8	Battery Pack BAT 414 10,8/12V 2,0Ah	1	-,-	1	-
91	2 607 337 237	Battery Pack BAT 415 10,8V/12V 2,5AH	1	-,-	1	45
653	2 607 225 519	Fast Charger USA 120/3,6-10,8V,1h	1	-,-	1	39
653	2 607 225 139	Fast Charger USA/CAN 120/10,8-12V/30 MIN.	1	-,-	1	40
801	1 607 000 CJ5	Housing	1	-,-	1	26
802	1 607 000 CK9	Motor	1	-,-	1	39
808	1 600 A01 343	Nameplate	1	-,-	1	13
816	1 607 000 CJ6	Switch Slide	1	-,-	1	12
826	1 607 000 CL0	Gear Box	1	-,-	1	43

Illustration - Type E



Information subject to change without further notice.