



**BOSCH**

# Router

GOF 1600 CE | 3 601 F24 080

---

## Table of Content

Spare parts list.....	2
Illustration - Type.....	6

## Spare parts list

Item	Part Number	Description
1	2 610 011 547	Motor Housing
2	1 619 P05 305	Field 230V
5	1 604 460 335	Power supply cord CN 4,15m 2 x 1,0mm H07 RN-F
6	1 600 703 034	Grommet Ø7,3-Ø8,6x66 MM
7	2 601 035 001	Cable Clip
12	2 610 006 567	Suppression Capacitor
13	3 600 905 513	Ball guide
14	1 600 900 088	Ball Bearing
16	2 610 913 034	Brush Holder
19	2 910 141 158	Hex Socket Head Cap Screw DIN 912-M5X16-8.8
21	3 604 652 500	Spiral Spring
22	1 604 477 005	Blade terminal
23	2 610 955 195	Baffle
24	2 610 011 225	Spindle Nut
25	2 610 957 779	Housing
26	2 610 991 375	Bearing Holder
27	1 900 210 115	O-Ring
29	2 910 611 006	Tapping Screw DIN 7981-ST2,9x13-C-H
30	2 610 991 306	Tapping Screw
31	2 910 641 122	Oval-Head Screw DIN 7985-M4X12-4.8-H
32	2 610 910 566	Tapping Screw
34	2 610 957 736	Cover
35	2 610 957 739	Connector
36	2 610 001 624	Electronic Assembly
37	2 610 957 738	Nose
38	2 910 641 054	Oval-Head Screw
39	2 610 011 549	shaft lock
40	2 610 011 958	Bosch Label
41	2 610 041 819	Warning Label
42	2 610 000 607	Strain-Relief Clamp
43	2 916 680 005	Spring Lock Washer B 4 DIN 127
44	2 610 957 778	Ring
45	2 610 003 090	Screw
47	2 610 003 185	Wiring Harness

## Spare parts list

Item	Part Number	Description
48	2 610 001 625	Hall Sensor
49	2 610 011 569	Cover
651	2 610 992 417	Single-Head Eng. Wrench
733	2 608 570 103	Collet 6 MM
733	2 608 570 104	Collet 1/4"
733	2 608 570 105	Collet 8 MM
733	2 608 570 106	Collet 3/8"
733	2 608 570 107	Collet 12 MM
733	2 608 570 125	Collet 10 MM
803	2 610 025 596	Armature 230V
808	2 610 044 937	Nameplate
810	2 610 007 957	Carbon-Brush Set
816	2 610 007 958	Brush Holder
828	2 610 011 286	Cover
838	2 610 018 987	Electronic Module
205	2 610 003 067	Set screw
207	2 610 956 312	Base Plate
208	2 610 917 210	Screw
210	2 610 001 597	Compression Spring
211	2 610 001 598	Spring Guide
212	2 610 001 599	Retaining ring
214	2 610 001 600	Compression Spring
216	2 610 003 971	Stop Device
218	2 610 001 602	Washer
219	2 600 590 006	Ratchet Cap
220	2 610 957 846	Locking Piece
221	2 610 957 844	Cover Plate
222	2 610 959 394	Lock Bolt
223	2 610 001 604	Contact strap
224	2 610 011 957	Scale
227	2 610 957 845	Stud
228	2 610 957 840	Protection cover
229	2 610 957 841	Cover
230	2 610 002 911	Screw
231	3 600 100 527	Washer

## Spare parts list

Item	Part Number	Description
232	2 610 006 391	Spring Washer
234	2 610 957 812	Handle
235	2 610 001 605	Handle
236	2 610 996 143	Screw
237	2 610 913 441	Screw
238	2 610 957 811	Handle
239	2 610 001 607	Handle
240	2 610 001 608	Switch
241	2 610 001 609	Clamping rail
242	2 610 003 210	Trigger
243	2 610 956 413	Rod
244	2 610 956 414	Sleeve
245	2 610 957 843	Adjustment Knob
246	2 610 957 842	Indicator Ring
247	2 610 956 415	Thumbwheel
251	2 610 956 416	Indicator
253	2 610 000 606	Triggering Button
255	2 610 001 606	Lock Spring
259	2 610 003 062	Retaining ring
260	2 610 003 063	Shim
261	2 610 003 064	Washer
262	2 610 004 460	Tube
263	2 610 008 283	Tube
264	2 610 005 997	Screw
265	2 610 005 516	Screw
266	2 610 004 411	Spring
801	2 610 003 969	Motor Carrier
806	2 610 003 970	Assembly
824	2 610 003 973	Locking Lever
306	2 610 956 311	Base Plate
315	2 610 003 184	Clamping rail
321	2 610 001 817	Adjustment rod
322	2 610 996 054	Retaining snap ring
323	2 610 001 818	Lever
331	2 610 991 372	Cover

Spare parts list

Item	Part Number	Description
332	2 610 006 340	Spring
652	2 610 923 193	Adjusting Wrench
800	2 610 003 974	Assembly

Illustration - Type - E

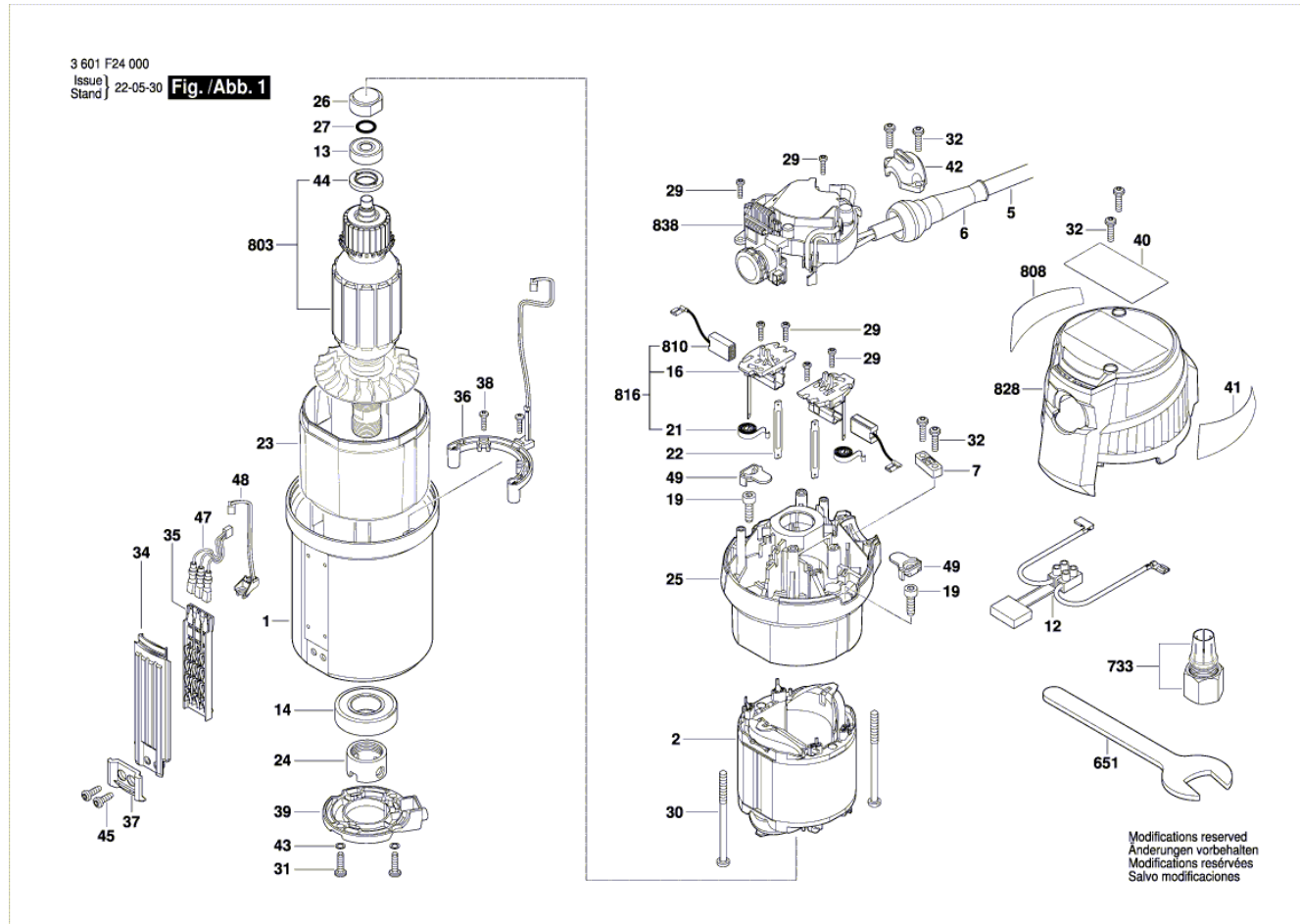


Illustration - Type - E

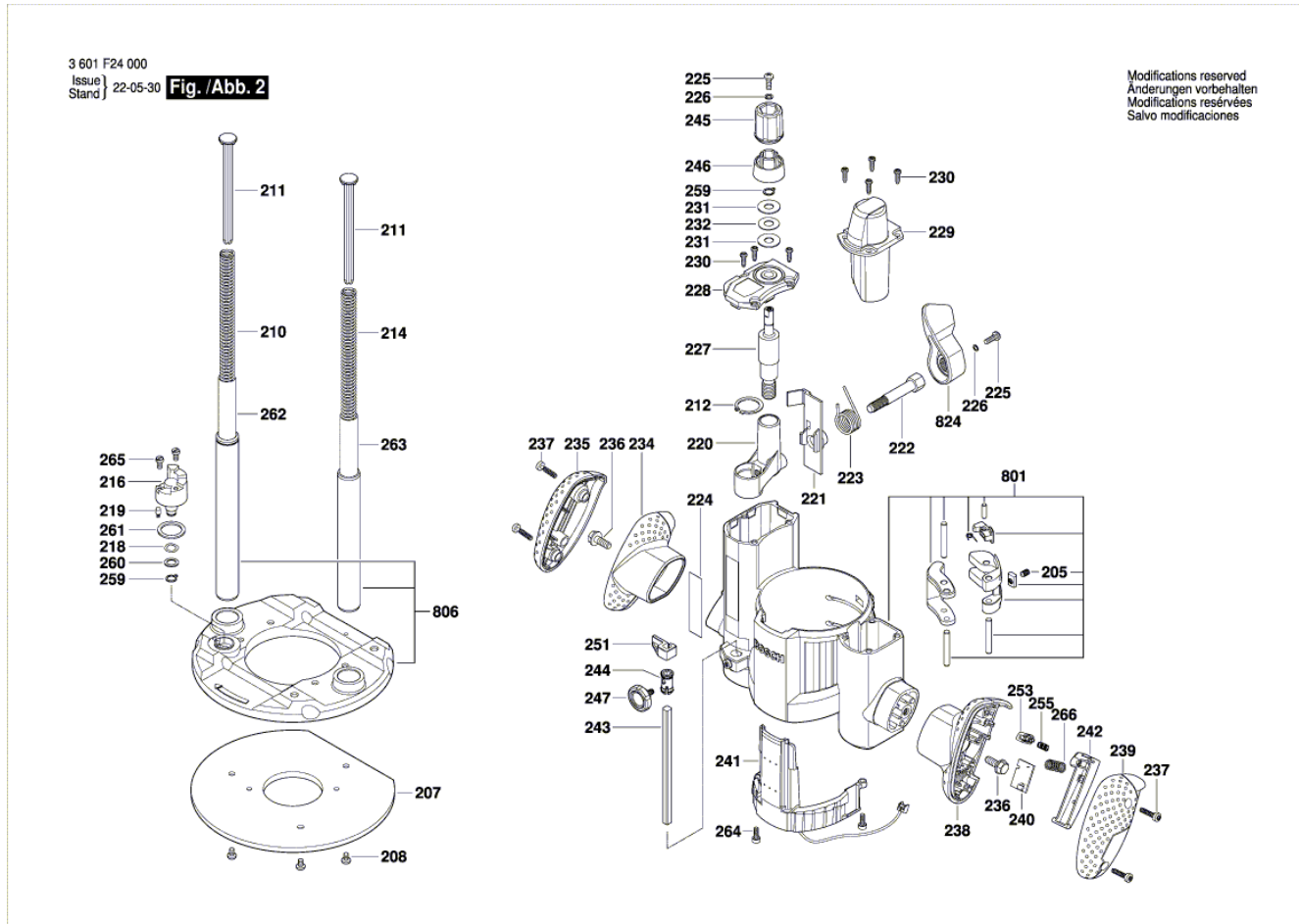
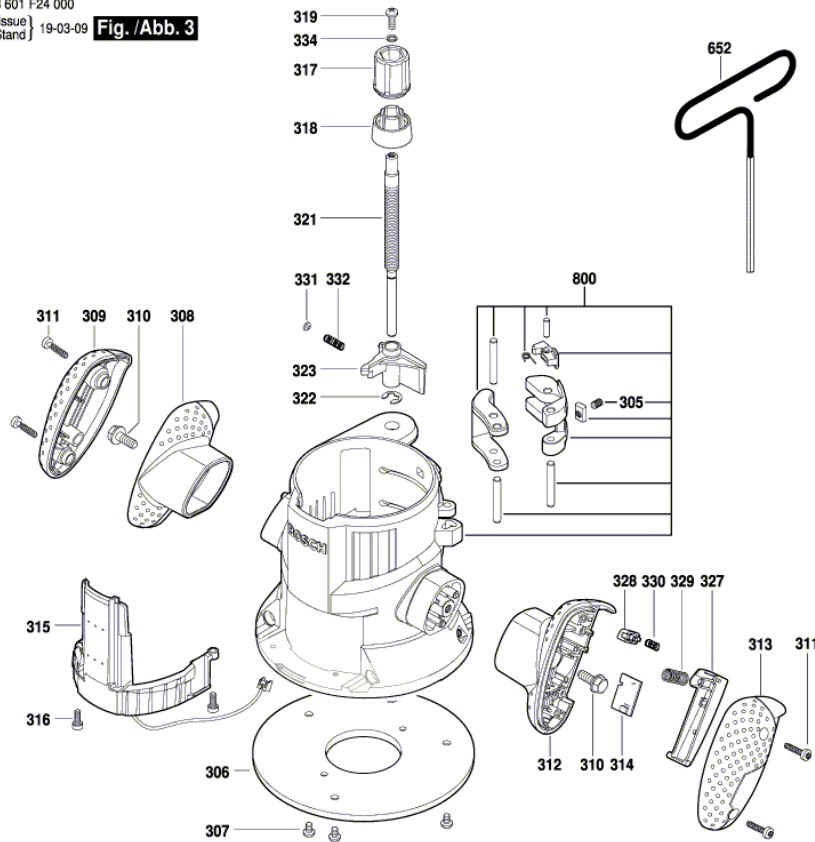


Illustration - Type - E

3 601 F24 000  
 Issue | 19-03-09  
 Stand | **Fig./Abb. 3**



Modifications reserved  
 Änderungen vorbehalten  
 Modifications réservées  
 Salvo modificaciones