

Wall Chaser - 0 601 612 634 - GNF 20 CA

www.powertools-aftersaleservice.com



BOSCH

Item	Part Number	Description	Illustration	Price	Quantity	Price Group
	3 3 605 500 081	Protective Cover	2	-,-	1	24
	6 3 603 105 005	Bearing Shaft	2	-,-	2	17
	7 3 600 309 003	Roller	2	-,-	4	13
	9 3 601 902 012	Locking Lever	2	-,-	1	16
	10 3 601 923 001	Rejection Slide	2	-,-	1	16
	11 3 600 390 023	Clamping-Flange	2	-,-	1	34
	12 3 603 345 005	Round Nut M14	2	-,-	1	29
	13 3 609 202 041	Plain Washer Ø42X22,2X4MM	2	-,-	5	15
	14 3 602 305 011	Push-Button	2	-,-	1	12
	15 3 604 651 004	Torsion Spring	2	-,-	1	17
	16 3 604 651 006	Coiled Spring	2	-,-	1	13
	17 3 604 651 005	Coiled Spring	2	-,-	1	11
	20 3 601 023 003	Safety Catch	2	-,-	1	14
	21 3 604 680 002	Shaped Spring	2	-,-	1	13
	22 3 600 300 029	Spacer Tube	2	-,-	4	14
	25 3 600 300 028	Spacer Sleeve	2	-,-	1	14
	26 3 601 990 002	Handle	2	-,-	1	22
	27 3 605 500 078	Protective Cap	2	-,-	1	19
	28 3 603 490 015	Pan head screw M 10x12 MM	2	-,-	1	12
	29 3 601 119 425	Manufacturer's nameplate	2	-,-	1	13
	31 2 603 490 023	Torx Oval-Head Screw 4x20	2	-,-	6	10
	32 2 603 490 027	Torx Oval-Head Screw 4x40	2	-,-	1	10
	33 2 603 490 017	Torx Oval-Head Screw 3x10	2	-,-	2	10
	35 2 916 089 079	Locking Washer	2	-,-	2	10
	37 2 917 511 104	Straight Pin DIN 7-4MM6x28-C35K-RIKO	2	-,-	1	10
	41 3 601 119 076	Reference Plate	2	-,-	1	13
	49 1 613 490 017	Thread-forming tap. Screw M4x30 DIN7500-1 T-20	1	-,-	4	11
	201 1 605 108 151	Motor Housing BLUE	1	-,-	1	25
	202 1 604 220 222	Field 110-120V	1	-,-	1	34
	204 1 607 200 086	Switch	1	-,-	1	23
	204/10 2 910 110 048	Pan head screw DIN 85-AM3x6-CUZN	1	-,-	2	10
	205 1 604 460 138	Power supply cord USA/CDN 2,15m 2 x 082mm SJ 18/2	1	-,-	1	30

Item	Part Number	Description	Illustration	Price	Quantity	Price Group
206	2 600 703 013	Grommet Ø7,6-Ø8,2x95 MM	1	-,-	1	13
207	1 601 302 017	Fastening Clamp	1	-,-	1	10
209	1 601 110 665	Manufacturer's nameplate	1	-,-	1	15
212	1 607 328 029	Suppression Filter	1	-,-	1	18
213	2 600 905 032	Deep-Groove Ball Bearing 7x19x6	1	-,-	1	17
214	1 600 905 011	Deep-Groove Ball Bearing 8x22x7	1	-,-	1	18
215	1 606 610 121	Fan	1	-,-	1	11
216	2 601 323 021	Brush Holder	1	-,-	2	11
217	3 601 110 396	Reference Plate	1	-,-	1	15
218	1 604 611 026	Compression Spring	1	-,-	1	10
222	1 602 319 002	Adjusting Slide	1	-,-	1	11
223	1 602 026 057	Switch Handle BLACK	1	-,-	1	11
225	1 600 508 010	Housing Cover BLUE	1	-,-	1	18
226	1 600 502 020	Rubber Bushing	1	-,-	1	11
227	1 600 206 025	Rubber Ring	1	-,-	1	12
229	1 601 328 005	Air-Deflector Ring	1	-,-	1	12
231	2 916 660 013	Spring retaining ring DIN 472-32x1,2 MM	1	-,-	1	11
233	3 600 210 124	O-Ring 46,0x1,1 MM RED	1	-,-	1	11
235	1 600 136 012	Shim 0,1 MM THICK	1	-,-	1	10
235	1 600 136 010	Shim 0,2 MM THICK	1	-,-	1	10
235	1 600 136 011	Shim 0,3 MM THICK	1	-,-	1	10
236	1 600 150 011	Spring Washer	1	-,-	1	10
237	1 600 290 016	Rotary shaft lip seal	1	-,-	1	12
238	1 606 333 235	Crown Gear Z=35	1	-,-	1	41
239	1 604 652 013	Spiral Spring	1	-,-	2	11
240	2 916 660 009	Spring retaining ring DIN 472-25x1,2MM	1	-,-	1	13
241	1 600 910 018	Needle bearing Ø8xØ12x8 MM	1	-,-	1	16
242	1 600 905 006	Deep-Groove Ball Bearing 12x32x10	1	-,-	1	24
243	1 606 333 234	Bevel Gear Z=9	1	-,-	1	35
245	1 603 300 016	Hex Nut M7, SW10	1	-,-	1	11
247	2 910 211 018	Tapping Screw DIN 7971-ST3,9x13-F	1	-,-	1	10
248	1 613 435 034	Lens Head Screw 3x10 ST	1	-,-	4	10
249	1 603 435 026	Thread-forming tap. Screw	1	-,-	4	11
250	2 914 201 508	Torx Oval-Head Screw	1	-,-	1	10
251	1 607 233 009	Speed governor 110-120V	1	-,-	1	43
253	1 604 448 005	Connecting Cable L=95 MM WHITE	1	-,-	1	14
254	1 604 448 006	Connecting Cable L=40 MM WHITE	1	-,-	2	11
255	2 914 201 508	Torx Oval-Head Screw	1	-,-	4	10
651	3 607 959 005	Splitting Tool	2	-,-	1	30
700	3 607 000 060	Parallel-Guide	2	-,-	1	-
700/20	3 603 101 002	Stop Pin	2	-,-	1	16
700/30	3 600 210 024	O-Ring 5,94x3,53 MM	2	-,-	1	12
700/40	2 603 480 003	Wing Screw M 6x16 MM	2	-,-	1	12
739	3 608 640 001	Wall Chaser Ø 115x22,2x2,2 MM	2	-,-	2	-
752	1 607 950 043	Pin-Type Face-Wrench	2	-,-	1	-
802	3 607 031 206	Parts Set	2	-,-	1	35
804	3 607 031 656	Parts Set	2	-,-	1	38
810	1 607 014 128	Carbon Brush	1	-,-	1	27
813	1 607 000 253	Push-Button BLACK	1	-,-	1	12
818	3 607 031 207	Parts Set	2	-,-	1	29
821	1 605 806 480	Gear Housing	1	-,-	1	36
823	3 607 031 547	Rotary Knob	2	-,-	1	18
828	1 607 000 936	Bearing Flange	1	-,-	1	29

Item	Part Number	Description	Illustration	Price	Quantity	Price Group
830	1 604 010 250	Armature With Fan 110-120V	1	-,-	1	43
831	2 914 201 508	Torx Oval-Head Screw	2	-,-	6	10
832	2 910 211 093	Tapping Screw DIN 7971-BZ3,9x38	2	-,-	1	11
833	3 607 031 208	Parts Set	1	-,-	1	32
888	1 601 106 032	Nameplate 26x52 MM	1	-,-	1	13

Product information Wall Chaser - 0 601 612 634 - GNF 20 CA

Product No	0 601 612 634
Description	229.199; Wall Chaser
DIN-Text	
ID_Text_Ext	0
Trading_Description	GNF 20 CA
Voltage_1	115 V
ID_Country_Product	USA

Illustration - Type E

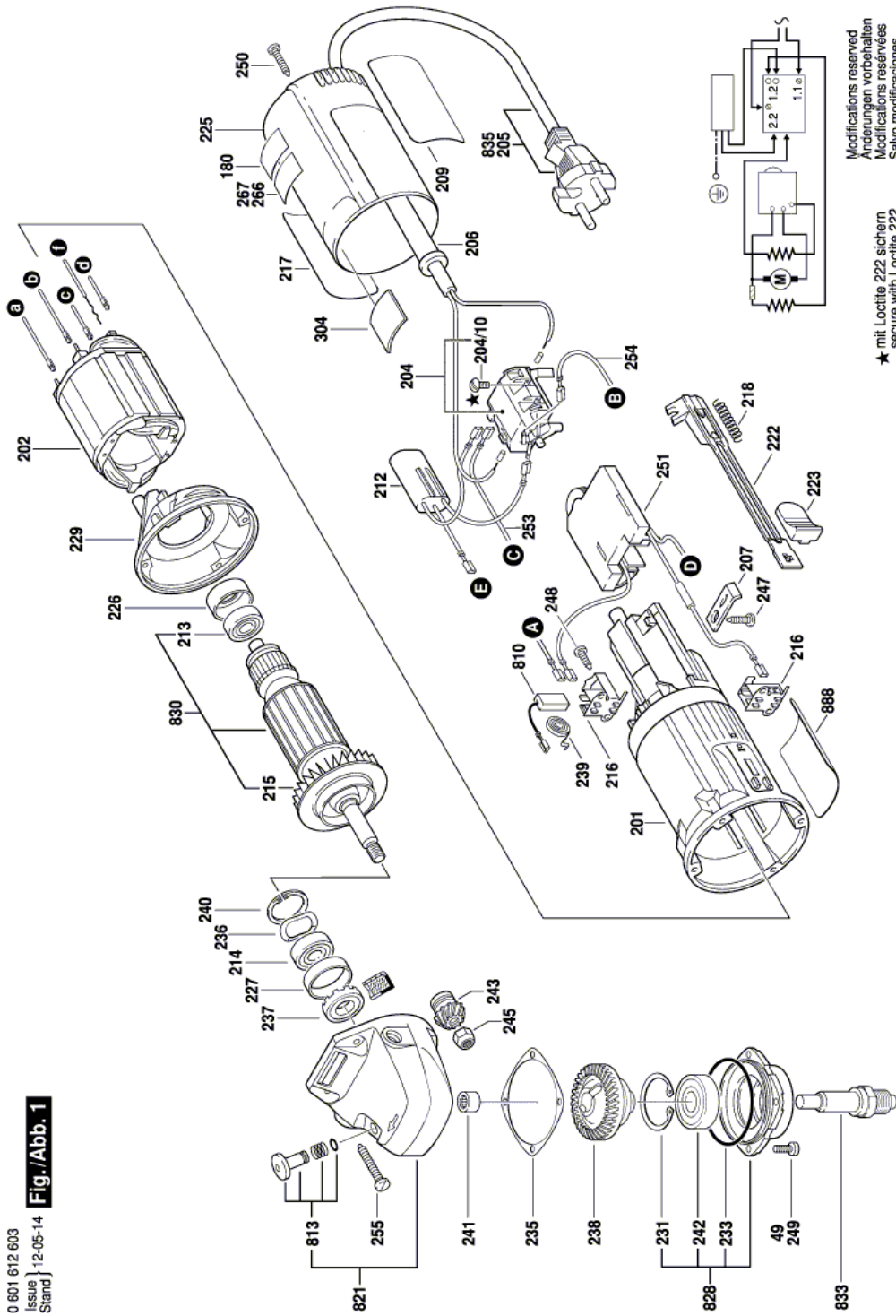
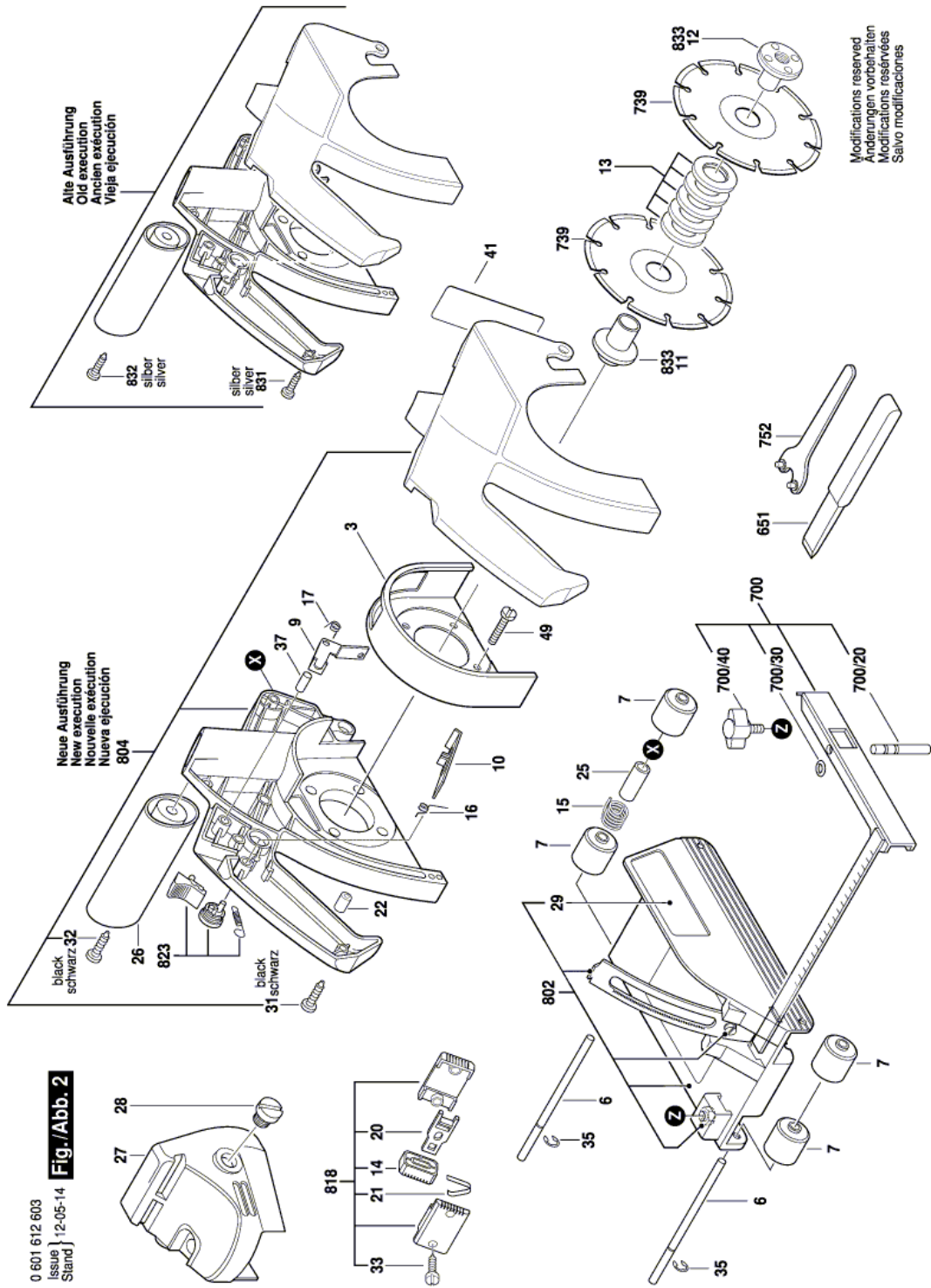


Illustration - Type E



Information subject to change without further notice.