



BOSCH

Nailer

GNB18V-12 | 3 601 JL7 010

Table of Content

Spare parts list.....	2
Illustration - Type.....	6

Spare parts list

Item	Part Number	Description	Illustration	Price	Quantity	Price Group
14	1 600 A02 HL3	Safety Lever	1	-	1	
15	1 601 11A 9UY	Nameplate	1	-	1	
16	1 600 A02 JD2	Warning Label	1	-	1	
17	1 600 A02 JD3	Warning Label	1	-	1	
19	1 600 A02 JD5	Warning Label	1	-	1	
25	1 600 A02 HD9	Washer	1	-	4	
26	1 605 500 2L0	Cover	1	-	1	
27	1 600 A02 HE0	Supporting Foam	1	-	1	
28	1 600 A02 HE1	Hex Socket Head Cap Screw	1	-	4	
29	1 600 A02 HE2	Cylinder Cover	1	-	1	
30	1 600 A02 HE3	Charge Valve	1	-	1	
31	1 600 210 0AW	O-Ring	1	-	1	
32	1 600 A02 HE4	Screw Plug	1	-	1	
34	1 600 A02 HE8	Isolating Valve	1	-	1	
37	1 600 A02 HG5	Bumper	1	-	1	
38	1 603 435 09T	Hex Screw	1	-	1	
39	1 600 A02 HG6	Pivot Pin	1	-	1	
40	1 600 A02 HG7	Support	1	-	1	
45	1 605 806 6GY	Housing	1	-	1	
46	1 600 A02 HH0	Pivot Pin	1	-	1	
47	1 600 A02 HH1	Slotted Spring Pin	1	-	1	
48	1 600 150 045	Spring retaining ring	1	-	1	
49	1 600 A02 HH2	Gear Cover	1	-	1	
50	1 600 A02 HH3	Retaining Pin	1	-	4	
51	1 600 210 0B0	O-Ring	1	-	4	
52	1 600 900 0AJ	Ball Bearing	1	-	1	
57	1 600 A02 HH8	Bumper	1	-	5	
58	1 600 A02 HH4	Spindle With Gear	1	-	1	
59	1 600 A02 HH9	Needle bearing	1	-	1	
60	1 600 A02 HJ0	Guide Bushing	1	-	1	
61	1 600 210 0B1	O-Ring	1	-	2	
62	1 600 A02 HJ1	Nose	1	-	1	
63	1 600 A02 HJ2	Spring Pin	1	-	1	
64	1 603 435 09U	Hex Screw	1	-	1	
65	1 600 A02 HJ3	Stop Latch	1	-	1	

* Prices shown are suggested retail prices

Spare parts list

Item	Part Number	Description	Illustration	Price	Quantity	Price Group
66	1 600 A02 HJ4	Torsion Spring	1	-	1	
67	1 600 A02 HJ5	Torsion Spring	1	-	1	
68	1 600 A02 HJ6	Stop Latch	1	-	1	
69	1 600 A02 HJ7	Retention knob	1	-	1	
70	1 600 A02 HJ8	Spring	1	-	1	
71	1 600 A02 HJ9	Actuator spring retainer	1	-	1	
72	1 600 A02 HK0	End cap	1	-	1	
73	1 600 A02 HK1	Rubber Buffer	1	-	1	
74	1 603 435 09V	Hex Screw	1	-	3	
75	1 600 A02 HK2	Adjusting Slide	1	-	1	
76	1 600 A02 HK3	Detent plate	1	-	1	
77	1 600 A02 HK4	Adjusting Slide	1	-	1	
78	1 600 A02 HK5	Spring	1	-	1	
79	1 600 A02 HK6	Ball	1	-	1	
80	1 600 210 0B2	O-Ring	1	-	1	
81	1 600 A02 HK7	Magnet Assembly	1	-	1	
82	1 600 A02 HK8	Safety Lever	1	-	1	
83	1 600 A02 HL0	Spring	1	-	1	
84	1 600 A02 HL1	Hex Socket Head Cap Screw	1	-	2	
85	1 600 A02 HL2	Hex Socket Button Screw	1	-	1	
86	1 600 A02 HK9	Safety Device	1	-	1	
87	1 600 A02 HL5	Planetary Gear Train	1	-	1	
88	1 600 A02 HL6	Adapter Plate	1	-	1	
89	1 600 900 0AK	Ball Bearing	1	-	1	
90	1 600 A02 HL7	Torx Screw	1	-	4	
91	1 600 A02 J1W	Hex Socket Button Screw	1	-	1	
92	1 600 A02 J1X	Cable Bracket	1	-	1	
93	1 600 A02 HL8	Hall Sensor	1	-	1	
94	1 600 A02 HL9	Hall Sensor	1	-	1	
95	1 600 A02 HM0	Trigger	1	-	1	
96	1 600 A02 HM1	Spring	1	-	1	
97	1 600 210 0B3	O-Ring	1	-	1	
98	1 600 A02 HM3	None	1	-	1	
99	2 607 202 769	Switch	1	-	1	
100	1 600 A02 HM4	Locking Lever	1	-	1	

* Prices shown are suggested retail prices

Spare parts list

Item	Part Number	Description	Illustration
101	1 600 A02 HM5	Detent plate	1
102	1 600 A02 HM6	LED lighting	1
103	1 600 A02 HM7	Lens	1
104	1 600 A02 G8F	Electronics Module	1
105	1 600 A02 HP2	Spring	1
108	1 600 A02 HP5	Hex Socket Head Cap Screw	1
109	1 603 123 085	Detent Pin	1
110	1 600 A02 J1Y	Hex Socket Head Cap Screw	1
112	1 600 A02 HP7	Rubber Buffer	1
113	1 600 A02 HP8	Rubber Buffer	1
114	1 600 A02 HP9	Rubber Buffer	1
115	1 600 A02 HR0	Rubber Buffer	1
116	1 600 A02 HR1	Rubber Buffer	1
117	1 600 A02 HR2	Rubber Buffer	1
118	1 600 A02 HR3	Rubber Buffer	1
119	1 600 A02 HR4	Rubber Buffer	1
120	1 600 A02 HR5	Torsion Spring	1
121	1 600 A02 HR6	Pivot Shaft	1
122	1 600 A02 HR7	Release Lever	1
123	1 600 A02 HR8	Hex Socket Head Cap Screw	1
124	1 600 A02 HS0	None	1
125	1 603 430 0BF	Tapping Screw	1
126	1 600 A02 J1Z	Dust-Protection Cover	1
127	1 600 A02 HS2	Air Filter	1
128	1 600 A02 HS3	Supporting Foam	1
129	1 600 A02 HS4	Supporting Foam	1
130	1 600 A02 HS5	Mounting Plate	1
131	2 610 005 257	Grease	1
132	1 600 A02 JD6	Warning Label	1
159	1 600 A02 HT9	Supporting foot	1
330	1 600 A02 U8T	Air Filter	1
332	6 082 801 0CA	Grease	1
333	1 600 A02 U8S	Stopping Pin	1
720	1 600 A02 K07	Hook	1
750	1 600 A02 K00	nail cartridge	1

Spare parts list

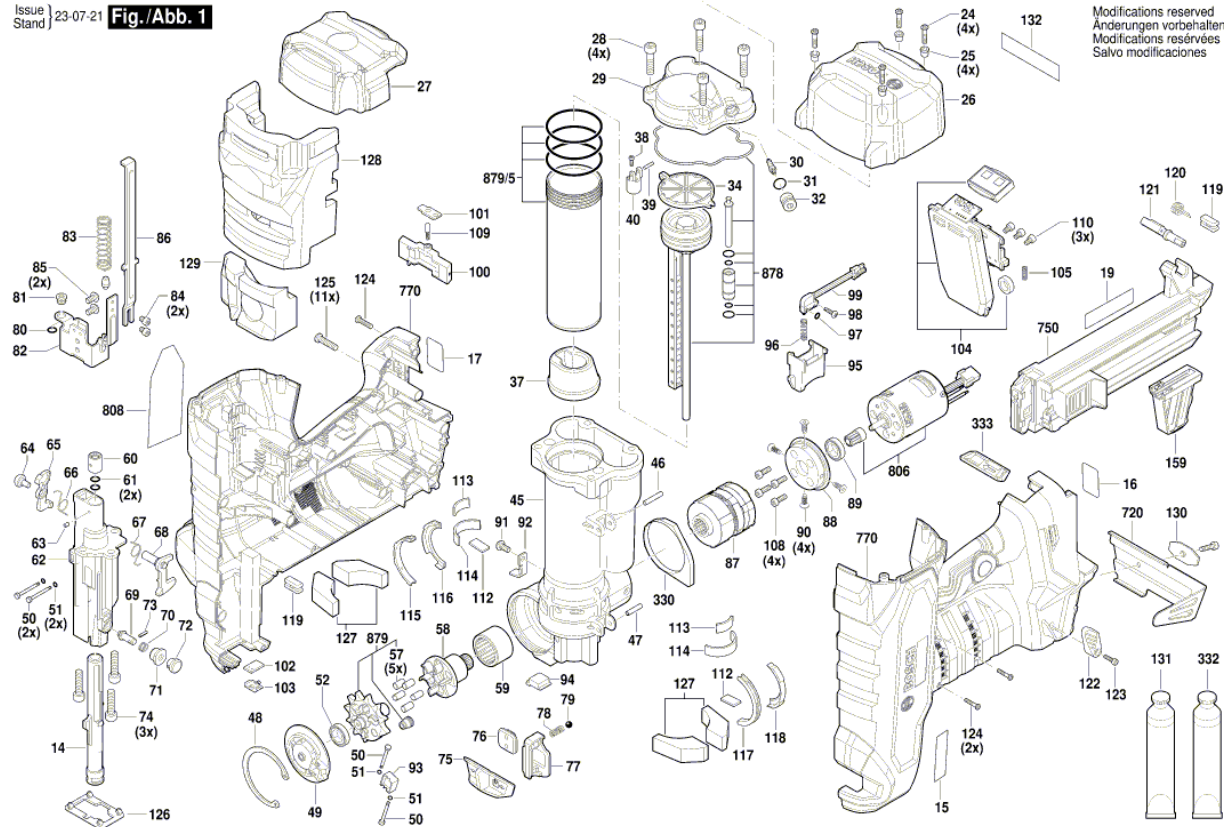
Item	Part Number	Description	Illustration	Price	Quantity	Price Group
770	1 605 806 6HX	Housing	1	-	1	
806	1 605 A00 2BP	Motor assembly	1	-	1	
808	1 600 A03 03P	Type Label	1	-	1	
878	1 607 000 F3C	Piston assembly	1	-	1	
879	1 607 000 F3D	Toothed Gear	1	-	1	
879/5	1 600 A02 W49	Cylinder	1	-	1	

* Prices shown are suggested retail prices

Illustration - Type - E

3 601 JL7 010
Issue |
Stand | 23-07-21

Fig./Abb. 1



Modifications reserved
Änderungen vorbehalten
Modificaciones reservadas
Salvo modificaciones