

## Nibbler - 3 601 E29 400 - GNA 75-16

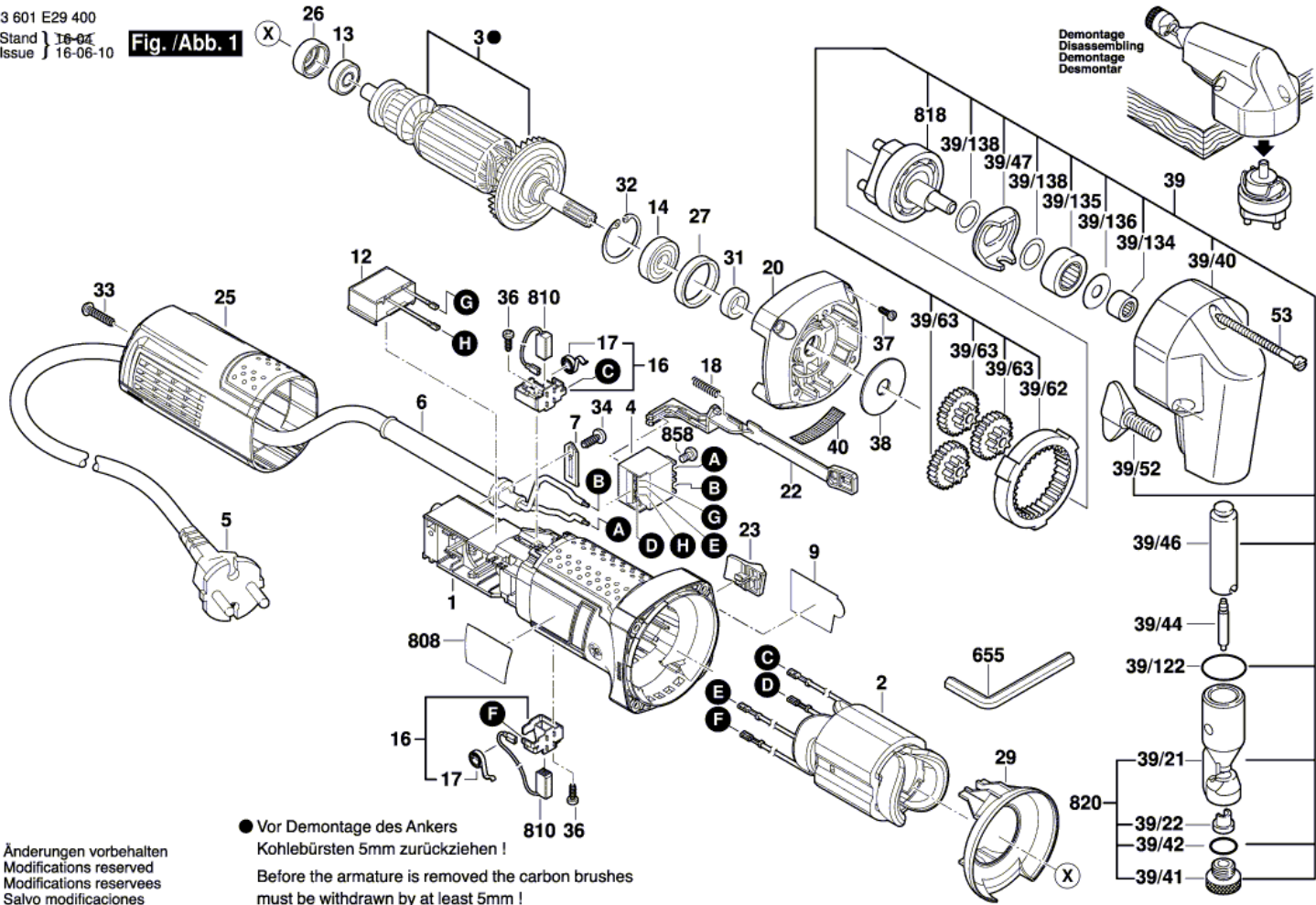
www.powertools-aftersaleservice.com



**BOSCH**

Item	Part Number	Description	Illustration	Price	Quantity	Price Group
1	1 619 P10 958	Motor Housing	1	-,-	1	17
2	1 619 P08 334	Field 220-240V	1	-,-	1	29
3	1 604 010 B5S	Armature	1	-,-	1	40
4	1 607 200 238	Switch	1	-,-	1	22
5	3 604 460 185	Power supply cord EU 4,15m 2x1,0mm H07RN-F	1	-,-	1	31
6	2 600 703 011	Grommet Ø8,3-Ø9,4x95 MM	1	-,-	1	14
7	1 601 302 017	Fastening Clamp	1	-,-	1	10
9	3 601 110 584	Manufacturer's nameplate	1	-,-	1	13
12	1 619 P02 827	Suppression Filter	1	-,-	1	18
13	1 619 P00 456	Ball Bearing 7x19x6 MM	1	-,-	1	14
14	3 600 905 162	groove ball bearing 8 x 24 x 8 ; NTN 628LLBC3 / 1K	1	-,-	1	22
16	1 619 P01 811	Brush Holder	1	-,-	2	14
17	1 604 652 013	Spiral Spring	1	-,-	2	11
18	1 619 P11 487	Compression Spring	1	-,-	1	10
20	3 605 700 201	Intermediate Flange	1	-,-	1	37
22	1 619 P10 967	Adjusting Slide	1	-,-	1	10
23	1 619 P10 969	Switch Button	1	-,-	1	10
25	1 619 P10 963	Housing Cover	1	-,-	1	15
26	1 600 206 036	Rubber Ring	1	-,-	1	11
27	3 600 206 015	Rubber Ring	1	-,-	1	12
29	1 619 P10 970	Air-Deflector Ring	1	-,-	1	10
31	3 600 300 079	Bushing	1	-,-	1	21
32	3 600 283 046	Spring retaining ring	1	-,-	1	12
33	2 603 490 023	Torx Oval-Head Screw 4x20	1	-,-	1	10
34	2 603 490 021	Torx Oval-Head Screw 4x12	1	-,-	1	10
36	1 613 435 034	Lens Head Screw 3x10 ST	1	-,-	2	10
37	2 603 490 025	Torx Oval-Head Screw 4x30	1	-,-	4	10
38	3 600 100 102	Shim washer	1	-,-	1	13
39	3 607 000 116	Assembly kit	1	-,-	1	56
39/21	3 606 455 044	Die Carrier	1	-,-	1	49
39/22	3 608 639 036	Lower Die	1	-,-	1	33
39/40	3 605 106 109	Housing	1	-,-	1	35

Item	Part Number	Description	Illustration	Price	Quantity	Price Group
39/41	3 603 301 020	Round Nut	1	-,-	1	25
39/42	1 900 210 105	O-Ring 8x2,5 MM	1	-,-	1	11
39/44	3 608 639 037	Nibbling Punch	1	-,-	1	29
39/46	3 603 100 045	Tappet	1	-,-	1	28
39/47	3 602 311 052	U-Sheet	1	-,-	1	14
39/52	3 603 480 005	Wing Screw	1	-,-	1	25
39/62	3 600 112 004	Ring Gear	1	-,-	1	17
39/63	3 600 112 005	Wheel	1	-,-	3	15
39/122	3 600 210 012	O-Ring 20,0x1,0 MM	1	-,-	1	12
39/134	2 600 910 006	Needle bearing Ø7 MM	1	-,-	1	15
39/135	3 600 905 158	Track-Supporting Roller	1	-,-	1	30
39/136	3 600 102 050	Shim ring	1	-,-	1	11
39/138	3 600 102 049	Shim ring	1	-,-	2	13
40	3 600 105 014	Grating	1	-,-	1	22
53	3 603 435 055	Torx Oval-Head Screw	1	-,-	3	13
808	3 601 119 918	Nameplate	1	-,-	1	21
810	1 619 P11 715	Carbon-Brush Set	1	-,-	1	18
818	1 600 A00 3A0	Planetary-Gear Carrier	1	-,-	1	48
820	3 607 030 493	Lower Die Ring	1	-,-	1	52
858	2 910 641 081	Oval-Head Screw DIN7985-M3,5x5-4.8-H	1	-,-	1	10



Information subject to change without further notice.