



BOSCH

Hw-Battery-Lamp

GLI VariLED | 3 601 D43 4B0

Table of Content

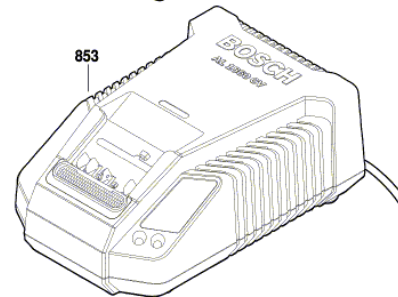
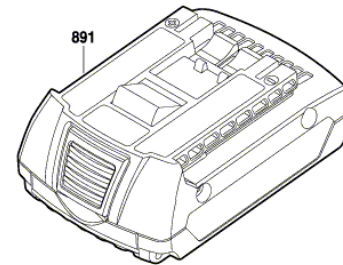
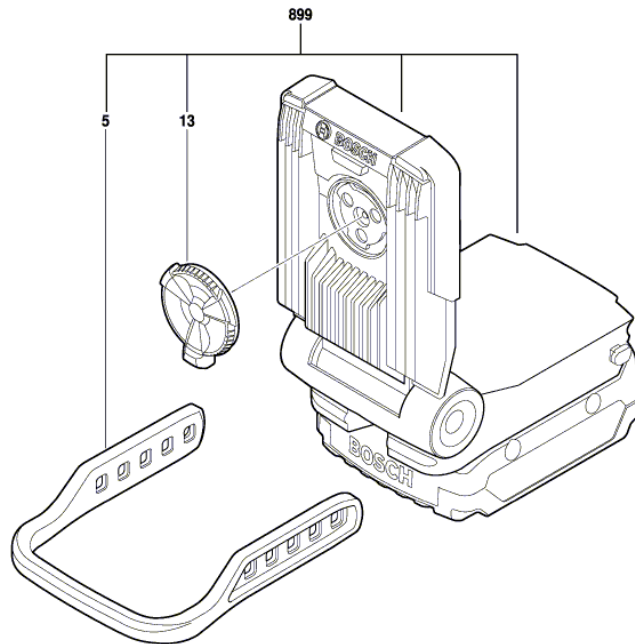
Spare parts list.....	2
Illustration - Type.....	3

Spare parts list

Item	Part Number	Description		U
5	1 619 PA9 205	Rubber band		
13	1 619 PA9 207	Lens		
853	2 607 225 435	Fast Charger	ROK 220/10,8-18V, 1h	
891	1 607 A35 0B2	Battery Pack	18V 3.0Ah Li SCM	
891	2 607 336 813	Battery Pack Ah	BBS-MR XL-PACK 14,4V, LI, 4,0	
899	0 601 443 4B0	Hw-Battery-Lamp		

Illustration - Type - E

3 601 D43 401
Issue |
Stand | 15-07-03 **Fig./Abb. 1**



Modifications reserved
Änderungen vorbehalten
Modifications réservées
Salvo modificaciones