



BOSCH

Hw-Battery-Lamp

GLI VariLED | 3 601 D43 450

Table of Content

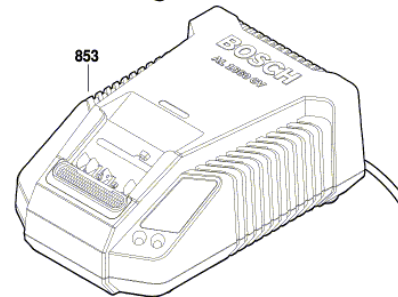
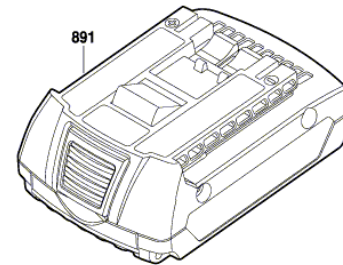
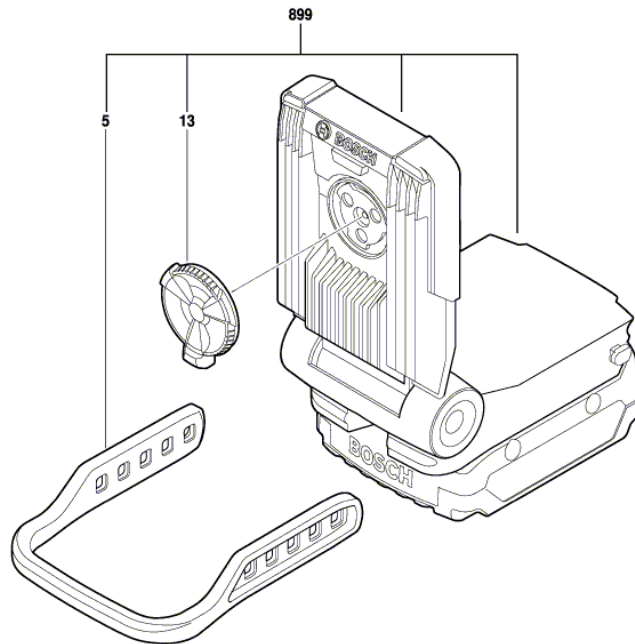
Spare parts list.....	2
Illustration - Type.....	3

Spare parts list

Item	Part Number	Description
5	1 619 PA9 205	Rubber band
13	1 619 PA9 207	Lens
853	2 607 225 433	Fast Charger J 100/10,8-18V, 1h
891	1 607 A35 0B9	Battery Pack EU GBA 14.4V 2.0Ah Li SCM
891	2 607 336 649	Slide-In Accu Package BBS MR 18V 1,3Ah
899	0 601 443 450	Hw-Battery-Lamp

Illustration - Type - E

3 601 D43 401
Issue |
Stand | 15-07-03 **Fig./Abb. 1**



Modifications reserved
Änderungen vorbehalten
Modifications réservées
Salvo modificaciones