



BOSCH

Cordless Circular Saw

GKS 185-LI | 3 601 FC1 280

Table of Content

Spare parts list.....	2
Illustration - Type.....	4

Spare parts list

Item	Part Number	Description	
1	1 619 P16 879	Motor Housing	
2	1 619 P16 618	Stator	
3	1 619 P16 617	Rotor	
4	1 619 P16 372	Electronic Module	
22	1 619 P16 880	Handle	
23	1 619 P17 004	Cover	
24	1 619 P16 881	Baffle	
25	1 619 P16 931	Set ring	
34	1 619 P06 225	Cap	
37	1 619 P17 057	Suction Socket	
38	1 619 P16 906	Guide Bracket	
39	1 619 P01 642	Compression Spring	
50	1 619 P16 909	Inner Disc	
51	1 619 P17 074	Locking Washer	
52	1 619 P06 232	Screw	
54	1 619 P06 238	Locking Washer	
57	1 600 210 050	O-Ring	35,0x1,0 MM
58	1 619 P16 878	Lower guard	
59	F 000 640 007	O-Ring	
60	1 619 P17 216	Extension Spring	
61	1 619 P06 236	Bumper	BLACK
62	2 610 935 251	Compression Spring	
64	2 600 590 006	Ratchet Cap	
67	1 619 P09 219	Shoulder Screw	
68	2 610 924 684	Jam Nut	
69	1 619 P16 883	Base Plate	
70	2 610 001 398	Adjusting Screw	
71	1 619 P16 912	Adjusting Bolt	
72	2 604 690 055	Compression Spring	
74	1 619 P02 796	Retaining ring	
75	1 619 P17 175	Adjusting Nut	
76	1 619 P17 173	Lever	
77	2 916 011 014	Plain Washer	DIN 125-A 6,4-ST
78	1 619 P09 218	Round-Head Bolt	M6x30
79	1 619 P16 910	Switch Button	

Spare parts list

Item	Part Number	Description	QTY
80	1 619 P16 908	Lever	1
81	1 619 P16 913	Scale	1
82	1 619 P16 907	Adjustment rod	1
85	1 619 P01 618	Wing Screw BLACK	1
87	2 603 490 022	Screw 4x16	2
88	1 619 P17 511	Label	1
89	1 619 P16 905	Bracket	1
90	1 619 P16 884	Hinge Bracket	1
91	1 619 P16 885	Bracket	1
92	1 619 P16 903	Hinge	1
93	1 613 435 015	Torx Oval-Head Screw M5x12-TORX,T25 SILVER	1
94	1 619 P06 246	Screw	1
95	2 610 925 864	Screw	2
96	1 619 P01 931	Screw BLACK	1
97	1 619 P11 431	Thread-forming tap. Screw	1
98	1 619 P16 997	Scale	1
651	2 610 364 015	Hexagon Socket Screw Key 5 MM	2
653	1 619 P16 999	Mitre Fence	1
808	1 619 P17 257	Nameplate	1
823	1 619 P17 446	Upper guard	1
853	1 619 P17 447	Bearing Flange	1
654	2 607 226 267	Fast Charger CN GAL 18V-40	2
654	2 607 226 297	Fast Charger CN GAL 18V-20 220V 12V-18V 2A	2
657	2 607 337 069	Battery Pack BBS MR, 18V, 5,0 Ah 48 S	2

Illustration - Type - E

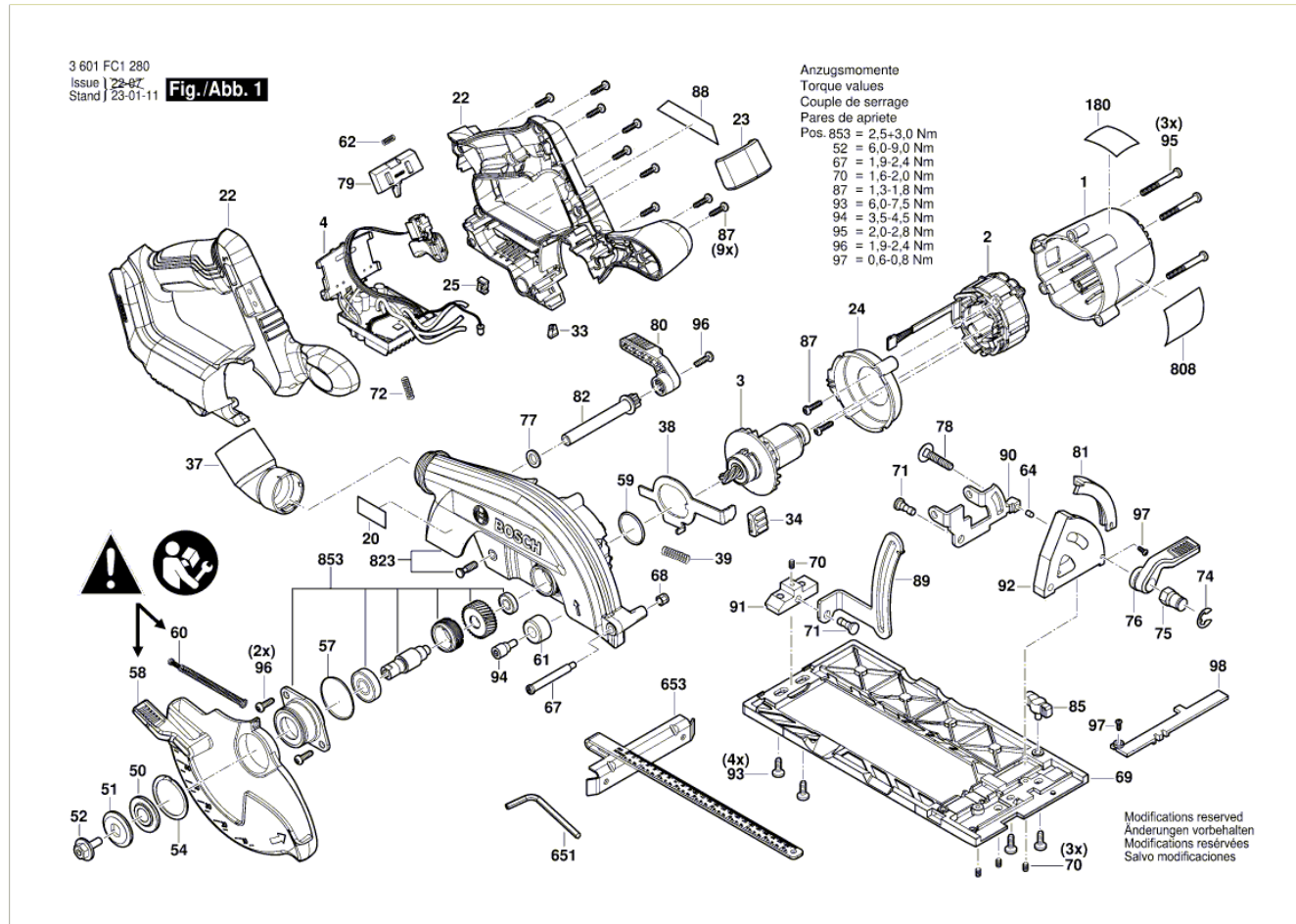
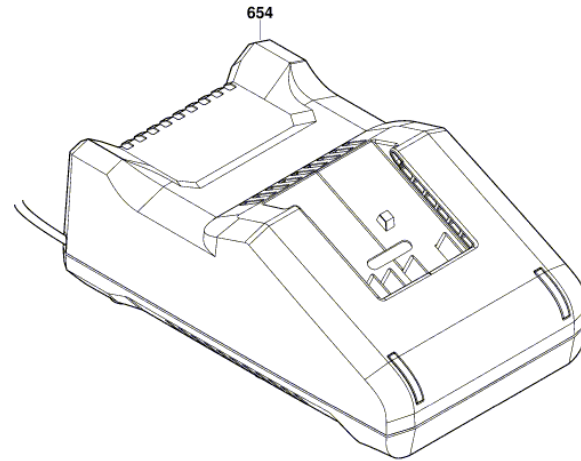
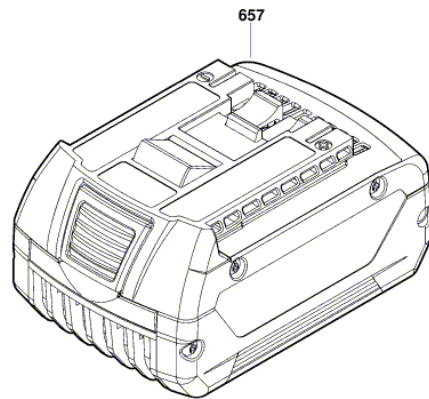


Illustration - Type - E

3 601 FC1 280
Issue | 22-06-15
Stand | **Fig./Abb. 2**



Modifications reserved
Änderungen vorbehalten
Modifications réservées
Salvo modificaciones