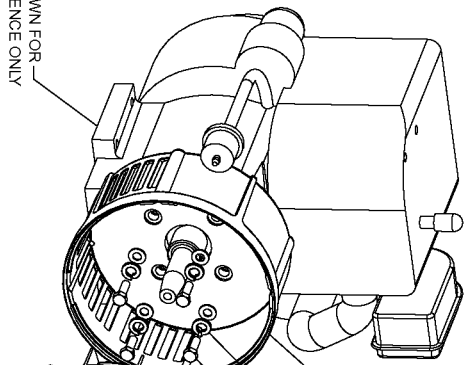


SHOWN FOR
REFERENCE ONLY



101 ORIENT WITH VENTS DOWNWARD AS SHOWN

102
TORQUE
204-264 IN-LBS

105 TORQUE UNTIL THREADS RUN OUT

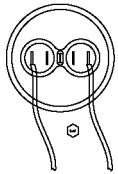
104
106
107
108 TORQUE 120-144 IN-LBS

109

110

112 TORQUE 80-70 IN-LBS

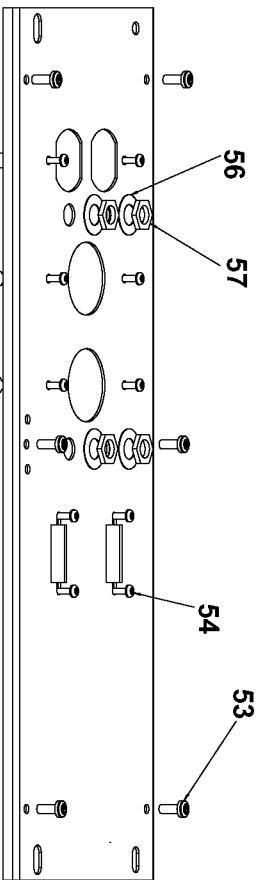
113
116
117 TORQUE 30-40 IN-LBS



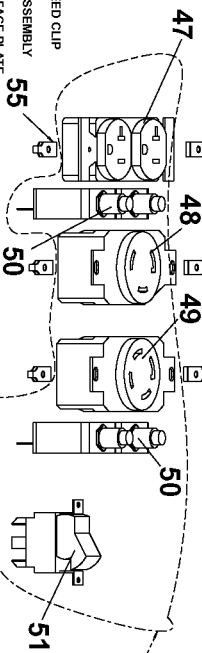
SCALE 1:1
CAPACITOR WIRING

121 INSERT INTO O-RING
GROOVE, PART OF 10

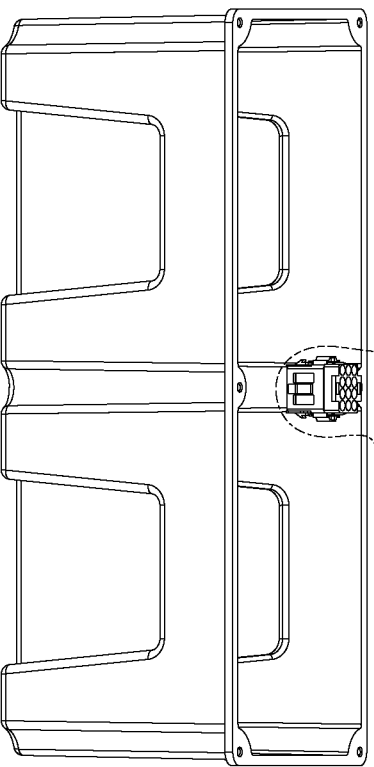
10000



ATTACH SPEED CLIP
PRIOR TO ASSEMBLY
OF DEVICES TO FACE PLATE



WIRING HARNESS PIN TO BE
SNAPPED INTO OPENING INSIDE
REAR COVER



Parts List for GHV4250C Type 0

Item Number	Part Number	Description	Qty Required
1	Z-GS-0795	TANK FUEL 7G SS	1
2	91895680	SCREW .250-20X.750 H	1
3	SSN-632	WASHER .875 OD .375	1
4	GS-0443	CAP FUEL TANK	1
5	000000-00	No Longer Available	1
6	000000-00	No Longer Available	1
7	91895680	SCREW .250-20X.750 H	1
8	Z-A14582	HOSE FUEL	1
9	000000-00	No Longer Available	1
10	GS-0033	ISOLATOR VIBRATION 1	1
10	GS-0433	ISOLATOR	1
11	SSF-8150	NUT .312-18 UNC HEX	1
12	5140123-06	SCREW	1
13	N017772	LOCK WASHER	1
14	SS-12-CD	SCREW .313-18X.750 H	1
15	GS-0118	STRAP GROUND	1
16	000000-00	No Longer Available	1
17	000000-00	No Longer Available	1
18	GS-0535	UNION REDUCER 1/4 X	1
19	39124607	SCREW .250-20X.625 H	1
20	5130235-00	LOCK WASHER	1
22	SSF-928	SCREW .313-18X.875 H	1
23	GS-0227	CLAMP FUEL .50	1
24	GS-0459	FILTER FUEL	1
25	GS-0117	LUG GROUND	1
26	SSF-553-1	SCREW #10-24X.563 TH	1
27	GS-0077	COVER END BLANK	1

Parts List for GHV4250C Type 0

Item Number	Part Number	Description	Qty Required
28	000000-00	No Longer Available	1
29	GS-0437	DRAIN COCK	1
30	N103455	GROMMET	1
31	000000-00	No Longer Available	1
32	SSF-627	SCREW M5X8.5X12 HEX	1
48	GS-0480	RECEPTACLE 125V 20A	1
49	GS-0445	RECEPTACLE 4 PRONG T	1
50	Z-GS-0024	BREAKER CIRCUIT 125/	1
51	GS-0045	SWITCH FULL POWER	1
53	SSF-3156	SCREW #10-9X.500 THD	1
54	SSF-583	SCREW #6-32X.500 PAN	1
55	SSF-584	NUT #6-32 SPEED SELF	1
56	000000-00	No Longer Available	1
57	SSF-595	NUT .438-28 UNEF HEX	1
101	000000-00	No Longer Available	1
102	SSN-619	WASHER .375 SPRING L	1
103	5140125-93	SCREW	1
104	Z-D27809	ASSY GEN 3.255 2D IC	1
104	D29822	KIT SERVICE FOCUS MO	1
105	GS-0110	BOLT STATOR THRU 130	1
106	Z-D27809	ASSY GEN 3.255 2D IC	1
106	D29822	KIT SERVICE FOCUS MO	1
107	330016-13	WASHER	1
108	SSF-576	NUT .313-24 HEX W/KE	1
109	GS-0091-1	BOLT ROTOR THRU 130L	1
110	000000-00	No Longer Available	1
112	SSF-575	NUT .250-20 HEX W/KE	1

Parts List for GHV4250C Type 0

Item Number	Part Number	Description	Qty Required
113	GS-0592	CAPACITOR 35uF 3% 37	1
116	GS-0595	BRACKET CAPACITOR 2.	1
117	SSF-553-1	SCREW #10-24X.563 TH	1
121	GS-0862	O-RING ROTOR BEARING	1
856	GS-0082	DIODE DSA	1