



**BOSCH**

# Portable Planer

GHO 185-LI | 3 601 EB5 080

---

## Table of Content

Spare parts list.....	2
Illustration - Type.....	5

Spare parts list

Item	Part Number	Description
2	1 619 PC1 494	Field assembly
3	1 619 PC1 495	Armature
9	1 619 PC1 467	Manufacturer's nameplate
13	1 619 PA7 994	groove ball bearing
14	1 619 PA7 998	groove ball bearing
19	1 619 PC1 496	Screw
21	1 619 PC1 497	Block
22	1 619 PC1 498	Handle
23	1 619 PC1 499	Cover
24	1 619 PC1 500	Spring
25	1 619 PC1 501	Air-Deflector Ring
26	1 619 PC1 502	Slider
27	1 619 PA7 999	groove ball bearing
28	1 619 PC1 503	Bearing Bracket
29	1 619 PC1 504	Pulley
30	1 619 PC1 505	Pulley
31	1 619 PB4 266	V-Belt
32	1 619 PC1 506	Cover
33	1 619 PC1 507	Cover
34	1 619 PA8 006	Cap Nut
35	1 619 PC1 508	Adjustment Knob
36	1 619 PB4 270	Screw
37	1 619 PB4 271	Retaining snap ring
38	1 619 PA8 008	Compression Spring
39	1 619 PC1 509	Adjusting Plate
40	1 619 PB4 272	Spring
41	1 619 PB4 273	Support
42	1 619 PC1 510	Base Plate
43	1 619 PB4 340	groove ball bearing
44	1 619 PA8 013	Cutting Head
46	2 602 316 001	Stop Holding Device
47	2 603 433 001	Torx Oval-Head Screw
48	2 609 110 064	Clamping jaws
49	2 609 110 084	Straining Screw
50	1 619 PC1 511	Screw

**Spare parts list**

Item	Part Number	Description	
51	1 619 PC1 512	Screw	
52	1 619 PB4 283	steel ball	
53	1 619 PB4 284	Retaining snap ring	
55	1 619 PB4 286	Screw	
56	1 619 PA8 721	Square Nut	
57	1 619 PB4 287	Plain Washer	
58	2 916 069 088	Spring Washer	
59	1 619 PC1 514	Deflector Pipe	
60	1 619 PC1 515	Screw	
61	1 619 PC1 516	Cover	
62	1 619 PB4 258	Screw	
64	1 619 PC1 517	Cover	
64	1 619 PC1 539	Cover	
66	1 619 PC1 518	Cover	
67	1 619 PC1 519	Retaining snap ring	
68	1 619 PC1 471	Sticker	
69	1 619 PC1 520	Block	
70	1 619 PC1 538	Adaptor plate	
72	1 619 PC1 521	connecting terminal	
74	1 619 PC1 522	Screw	
625	1 619 PB9 267	Printed Circuit Board	
651	1 619 PB4 338	Guide Bracket	
652	1 619 PC1 527	Blade Sharpening Device	
653	1 619 PC1 531	Assembly Wrench	
655	1 619 PC1 532	Bag	
656	1 619 PC1 561	Motor Housing	
808	1 619 PC1 460	Nameplate	
657	1 607 A35 00K	Battery Pack	TWN GBA 18V 5.0Ah M-C
657	1 607 A35 014	Battery Pack	GBA 18V 6,0Ah M-C (CN)
657	1 607 A35 0M0	Battery Pack	GBA 18V 4.0Ah
657	2 607 337 069	Battery Pack	BBS MR, 18V, 5,0 Ah 48 S
669	2 607 225 937	Charger	CN GAL 1880 CV 220V/14,4-18V
669	2 607 226 251	Fast Charger	EU GAL 18V-40, 230V/10,8V - 18V
669	2 607 226 253	Fast Charger	GB GAL 18V-40

**Spare parts list**

<b>Item</b>	<b>Part Number</b>	<b>Description</b>	
669	2 607 226 267	Fast Charger	CN GAL 18V-40
669	2 607 226 281	Fast Charger 12V-18V 2A	EU GAL 18V-20 220V-240V
669	2 607 226 283	Fast Charger 2A / 12-18V	UK GAL 18V-20 220-240V /
669	2 607 226 297	Fast Charger 2A	CN GAL 18V-20 220V 12V-18V
669	2 607 226 537	Fast Charger	IND GAL 18V-40 220-240V / 4A

Illustration - Type - E

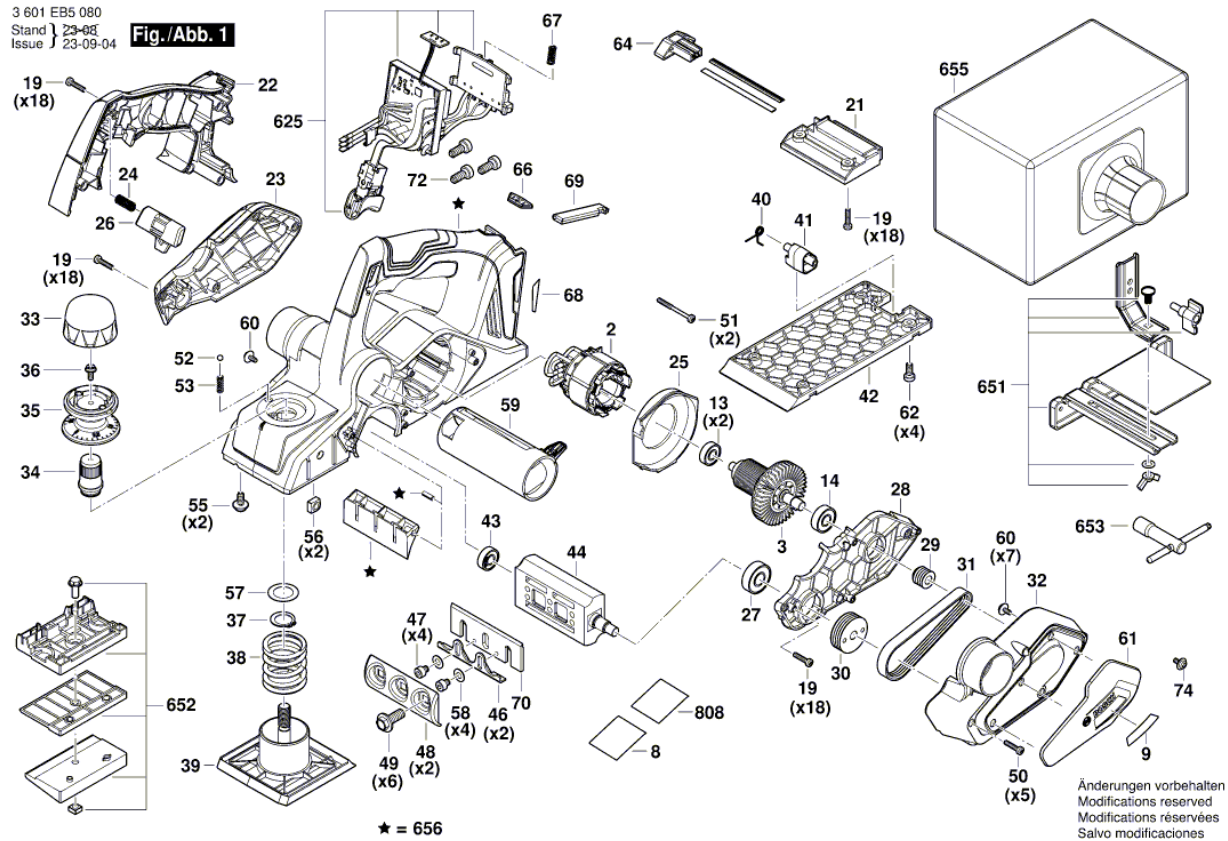
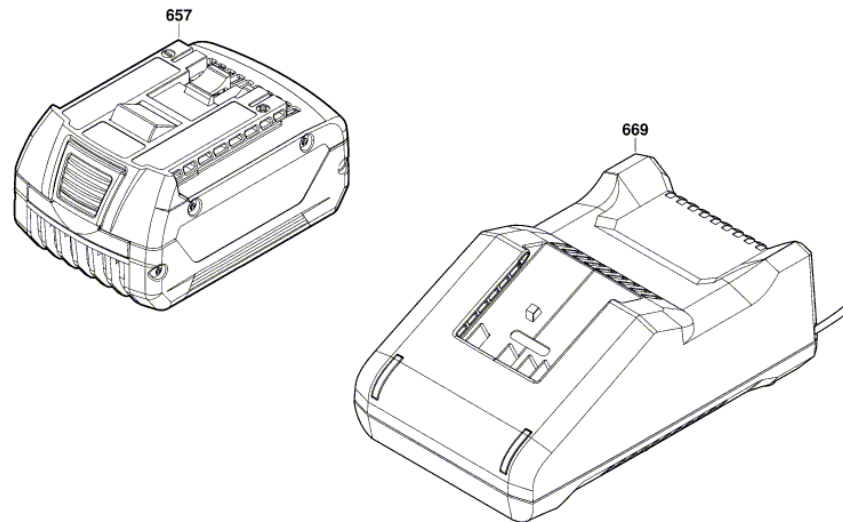


Illustration - Type - E

3 601 EB5 080  
Stand } 23-06-05  
Issue } **Fig./Abb. 2**



Änderungen vorbehalten  
Modifications reserved  
Modifications réservées  
Salvo modificaciones