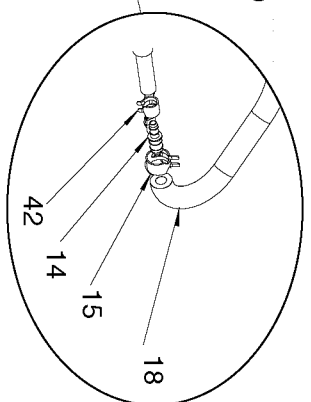
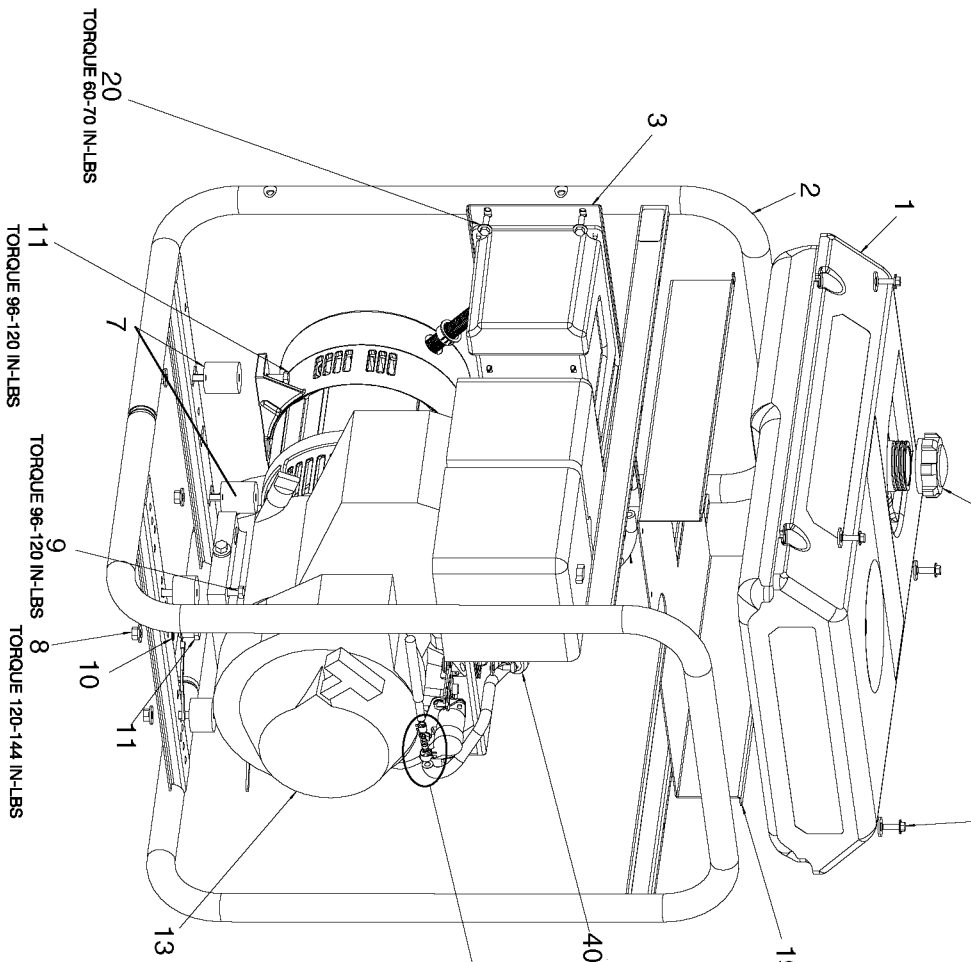
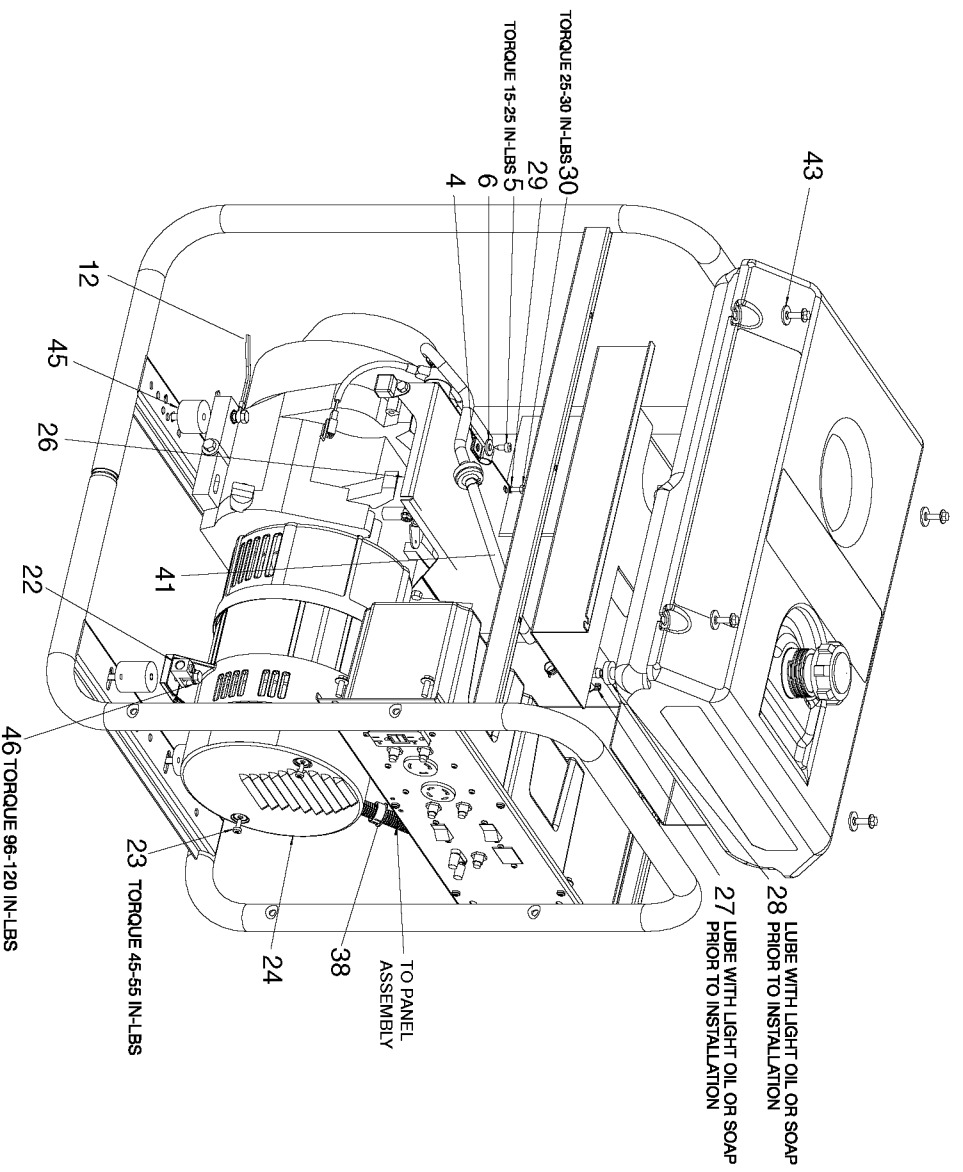


21 SCREW ON HAND TIGHT

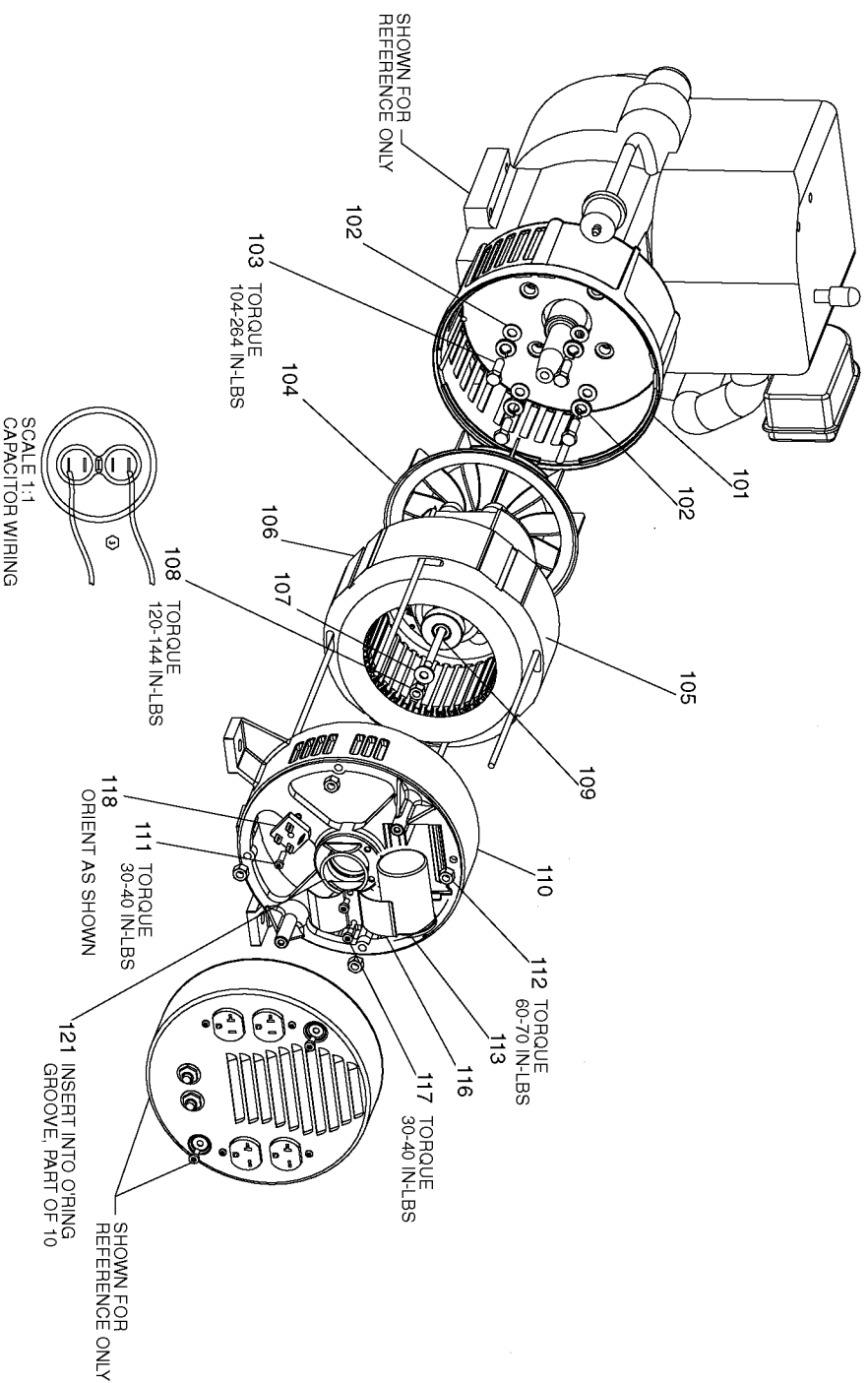
20 TORQUE 20-25 IN-LBS

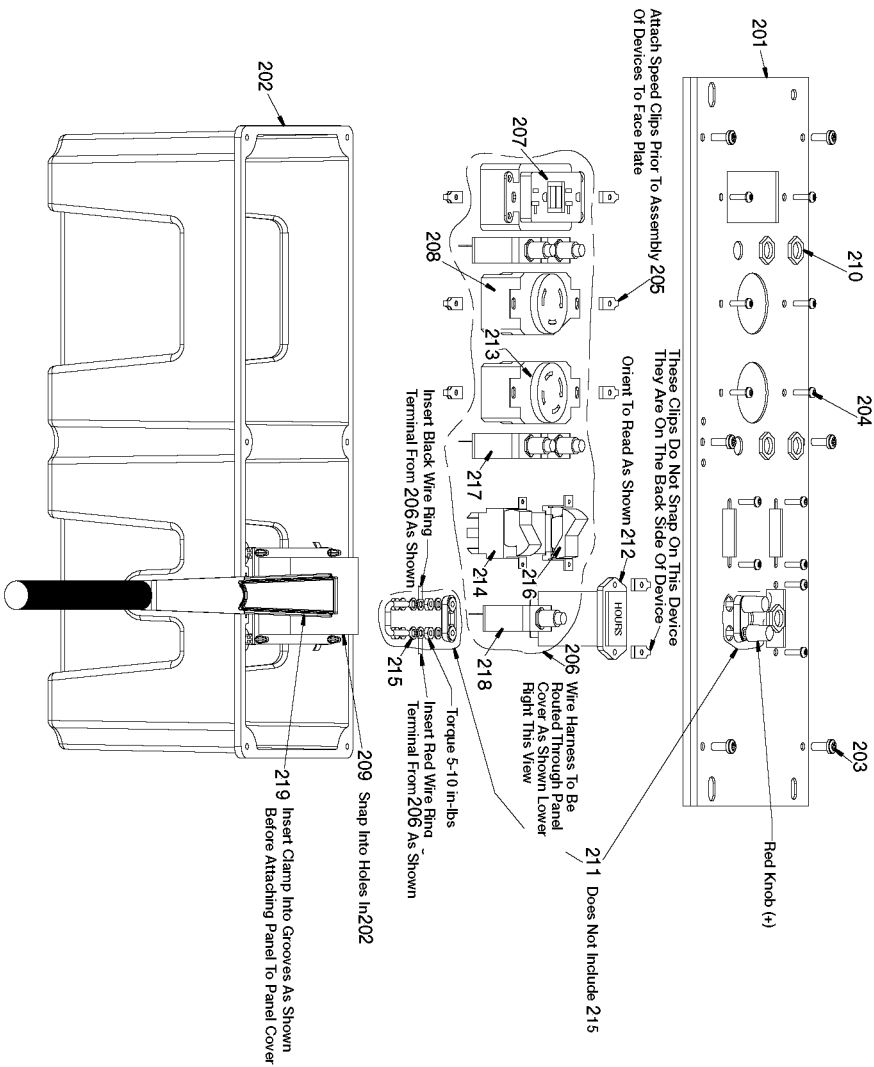




27 LUBE WITH LIGHT OIL OR SOAP
 PRIOR TO INSTALLATION
 28 LUBE WITH LIGHT OIL OR SOAP
 PRIOR TO INSTALLATION

TO PANEL
 ASSEMBLY





Parts List for GH4501 Type 0

Item Number	Part Number	Description	Qty Required
1	Z-GS-0795	TANK FUEL 7G SS	1
2	000000-00	No Longer Available	1
3	000000-00	No Longer Available	1
4	000000-00	No Longer Available	1
4	000000-00	No Longer Available	1
5	SSF-981	SCREW .250-14X.500 H	1
6	330016-13	WASHER	1
7	GS-0433	ISOLATOR	1
8	SSF-8150	NUT .312-18 UNC HEX	1
9	5140123-06	SCREW	1
10	N017772	LOCK WASHER	1
11	SS-12-CD	SCREW .313-18X.750 H	1
12	GS-0118	STRAP GROUND	1
13	000000-00	No Longer Available	1
14	GS-0535	UNION REDUCER 1/4 X	1
15	GS-0227	CLAMP FUEL .50	1
18	Z-A14582	HOSE FUEL	1
19	D24273	SHIELD HEAT BSV GHC	1
20	91895680	SCREW .250-20X.750 H	1
21	GS-0443	CAP FUEL TANK	1
22	GS-0117	LUG GROUND	1
23	SSF-553-1	SCREW #10-24X.563 TH	1
24	GS-0077	COVER END BLANK	1
26	000000-00	No Longer Available	1
27	GS-0437	DRAIN COCK	1
28	N103455	GROMMET	1
29	000000-00	No Longer Available	1

Parts List for GH4501 Type 0

Item Number	Part Number	Description	Qty Required
30	SSF-627	SCREW M5X8.5X12 HEX	1
38	GS-0199	BUSHING SNAP 1 OD	1
40	GS-0459	FILTER FUEL	1
41	Z-A14582	HOSE FUEL	1
42	000000-00	No Longer Available	1
43	SSN-632	WASHER .875 OD .375	1
45	GS-0033	ISOLATOR VIBRATION 1	1
46	D22311	SCREW .313-18X.875 U	1
101	000000-00	No Longer Available	1
102	SSN-619	WASHER .375 SPRING L	1
103	5140125-93	SCREW	1
104	D29822	KIT SERVICE FOCUS MO	1
104	Z-D27809	ASSY GEN 3.255 2D IC	1
105	GS-0110	BOLT STATOR THRU 130	1
106	D29822	KIT SERVICE FOCUS MO	1
106	Z-D27809	ASSY GEN 3.255 2D IC	1
107	330016-13	WASHER	1
108	SSF-576	NUT .313-24 HEX W/KE	1
109	GS-0091-1	BOLT ROTOR THRU 130L	1
110	000000-00	No Longer Available	1
111	SSF-3158-1	SCREW #10-24X.750 TH	1
112	SSF-575	NUT .250-20 HEX W/KE	1
113	GS-0873	CAPACITOR 25UF 3% 37	1
116	GS-0595	BRACKET CAPACITOR 2.	1
117	SSF-553-1	SCREW #10-24X.563 TH	1
118	GS-0767	RECTIFIER	1
121	GS-0862	O-RING ROTOR BEARING	1

Parts List for GH4501 Type 0

Item Number	Part Number	Description	Qty Required
201	000000-00	No Longer Available	1
202	000000-00	No Longer Available	1
203	SSF-3156	SCREW #10-9X.500 THD	1
204	SSF-583	SCREW #6-32X.500 PAN	1
205	SSF-584	NUT #6-32 SPEED SELF	1
207	GS-0644	RECEPTACLE GFCI 120V	1
208	GS-0480	RECEPTACLE 125V 20A	1
209	N080007	BOARD ASSY	1
210	SSF-595	NUT .438-28 UNEF HEX	1
211	Z-GS-0728	ASSY BINDING POST SS	1
212	GS-0735	METER HOUR	1
213	GS-0445	RECEPTACLE 4 PRONG T	1
214	GS-0679	SWITCH IDLE CONTROL	1
215	GS-0835	ASSY RESISTOR DC SHU	1
216	GS-0045	SWITCH FULL POWER	1
217	Z-GS-0024	BREAKER CIRCUIT 125/	1
218	GS-0681	BREAKER CIRCUIT	1
219	D26113	CLAMP MOLDED STRESS	1