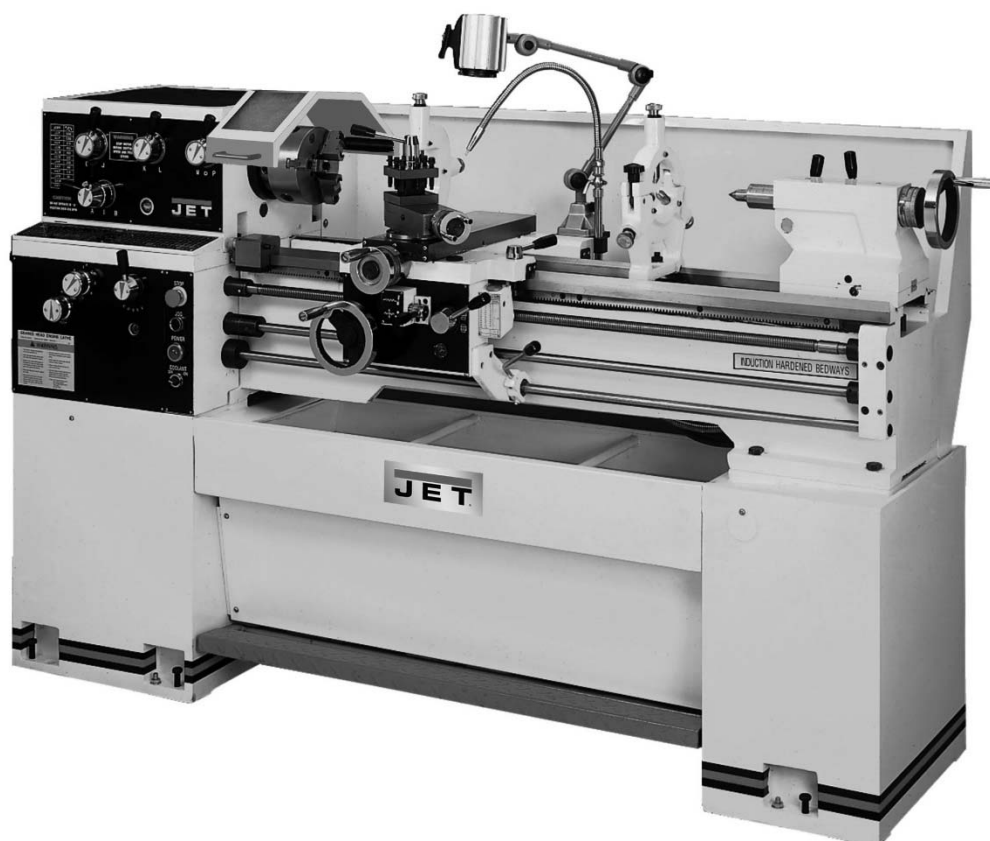




Operation and Maintenance Instructions

Geared Head Lathes

Models GH-1340W, GH-1440W

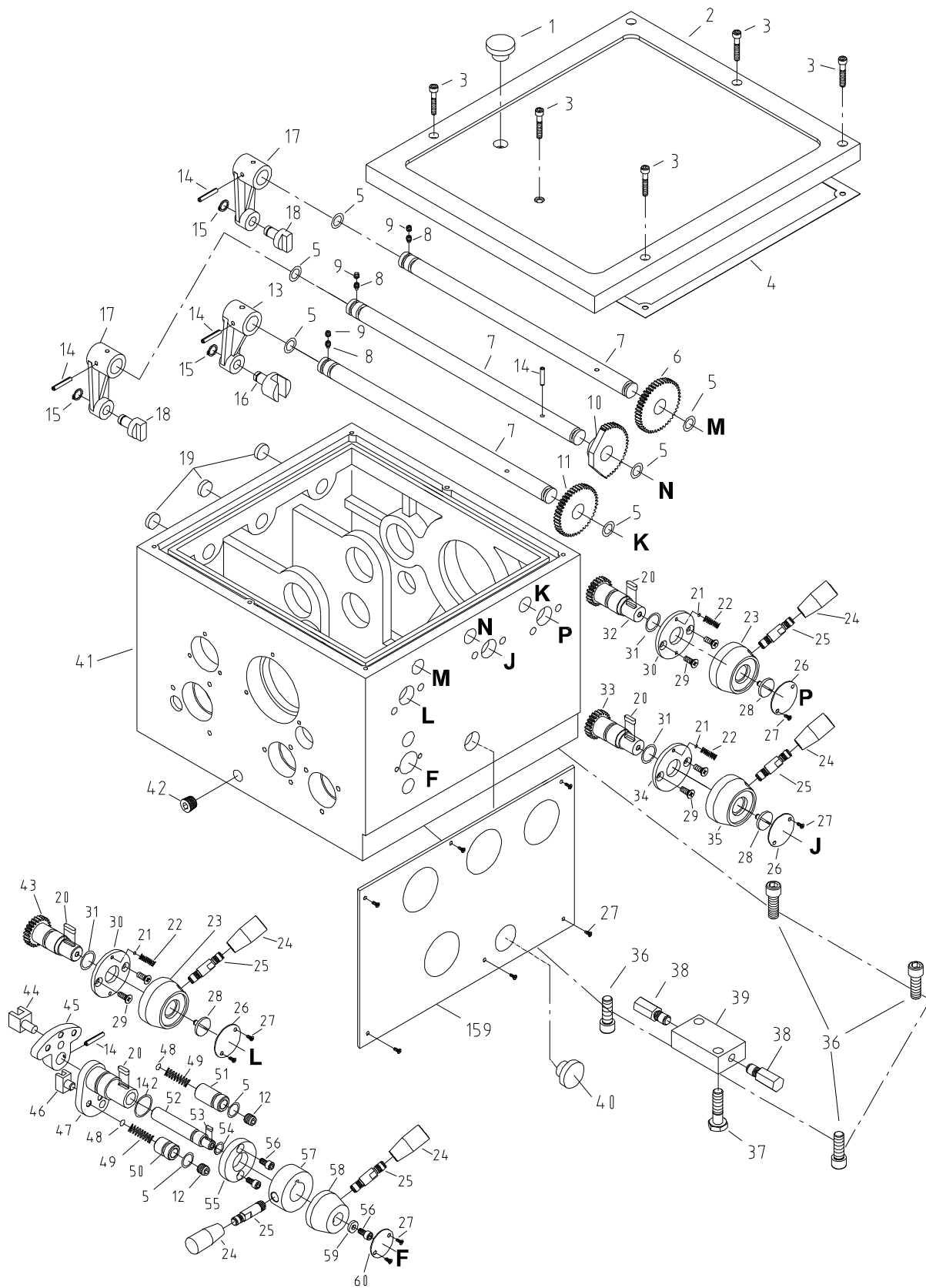


See manual no. M-321810-1 for service parts and electrical diagrams.

JET
427 New Sanford Road
LaVergne, Tennessee 37086
Ph.: 800-274-6848
www.jettools.com

Part No. M-321810
Revision G2 11/2014
Copyright © 2014 JET

2.1.1 Headstock Assembly I – Exploded View

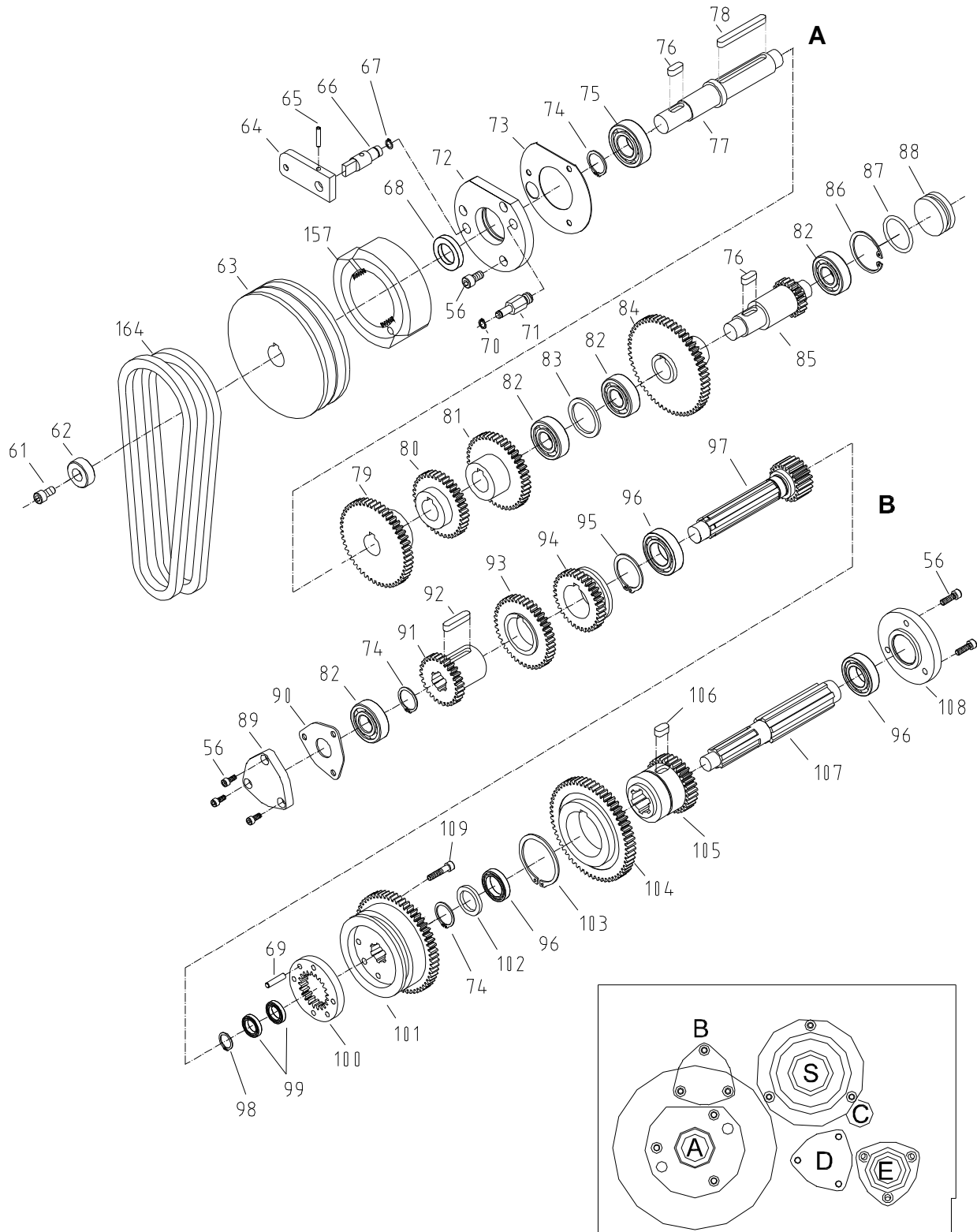


2.1.2 Headstock Assembly I – Parts List

Index No.	Part No.	Description	Size	Qty
1	GH1340A-04-06	Plug		1
2	GH1440W-04-60	Headstock Cover		1
3	TS-1503081	Hex Socket Cap Screw	M6x35	6
4	GH1440W-04-61	Gasket		1
5	GB3452.1-14X2.65	O-Ring	14x2.65	8
6	GH1440W-04-38	Gear	38T	1
7	GH1440W-04-41	Shaft		3
8	GB75-M6x10	Set Screw	M6x10	3
9	GB77-M6x6	Set Screw	M6x6	3
10	GH1440W-04-37	Gear	48T	1
11	GH1440W-04-36	Gear	43T	1
12	GB77-M12x12	Set Screw	M12x12	2
13	GH1440W-04-43	Shift Arm		1
14	GB879-5X30	Spring Pin	5x30	7
15	GB894.2-12	Retainer Ring	12	3
16	GH1440W-04-45	Shift Fork		1
17	GH1440W-04-35	Shift Arm		2
18	GH1440W-04-44	Gear Shifter		2
19	GH1440W-04-10	Plug		3
20	GB1096-5X16	Key	5x16	4
21	GB308-SB8	Steel Ball	8	5
22	C6240-20018	Spring		5
23	GH1440W-04-49	Handle Body		2
24	GB4141.14-BM10X50	Handle Cap		5
25	GH1440W-04-34	Handle Lever		5
26	C6240-20001	Lever Name Plate		3
27	TS-1531012	Pan Head Machine Screw	M3x6	14
28	GH1440W-04-59	Screw		3
29	TS-1503031	Screw	M6x12	6
30	GH1440W-04-50	Position Plate		2
31	GB3452.9-19X2.65	O-Ring	19x2.65	3
32	GH1440W-04-40	Gear Shaft	22T	1
33	GH1440W-04-42	Gear Shaft	17T	1
34	GH1440W-04-51	Position Plate		1
35	GH1440W-04-48	Handle Body		1
36	TS-1506041	Hex Socket Cap Screw	M12x35	4
37	GB5782-M10x40	Alignment Bolt	M10x40	2
38	GH1440W-04-62	Alignment Bolt		2
39	GH1440W-04-63	Alignment Block		1
40	GB1160.1-89	Oil Sight Glass	20	1
	GHW1160-20A	Oil Sight Glass (<i>serial no. 1002W2659W and higher</i>)	M20x1.5	1
41	GH1440W-04-01	Headstock Casting (14")		1
	GH1340W-04-01	Headstock Casting (13")		1
42	05-75	Drain Plug		1
43	GH1440W-04-39	Gear Shaft	27T	1
44	GH1440W-04-47	Shaft Fork		1
45	GH1440W-04-72	Shifting Crank		1
46	GH1440W-04-71	Shaft Fork		1
47	GH1440W-04-56	Shifting Crank		1
48	GB308-SB9	Steel Ball	9	2
49	GH1440W-49	Spring		2
50	GH1440W-04-52	Shaft		1
51	GH1440W-04-54	Shaft		1
52	GH1440W-04-53	Shaft		1
53	GB1096-4X10	Key	4x10	1
54	GB3452.9-10.6X2.65	O-Ring	10.6x2.65	1
55	GH1440W-04-55	Collar		1
56	TS-1503031	Hex Socket Cap Screw	M6x12	18
57	GH1440W-04-57	Collar		1

Index No.	Part No.	Description	Size	Qty
58	GH1440W-04-58	Handle Body		1
59	04-62	Washer		1
60	04-90	Indicator Disk		1
142	GB3452.9-25X2.65	O-Ring	25x2.65	3
159	GH1340W-04-02	Name Plate		1
	GH1440W-04-02	Name Plate		1
	321449	3-Jaw Chuck (not shown)	6"	1
	GH1340W-CKW	Chuck Key (3-jaw)(not shown)		1
	321430	4-Jaw Chuck (not shown)	8"	1

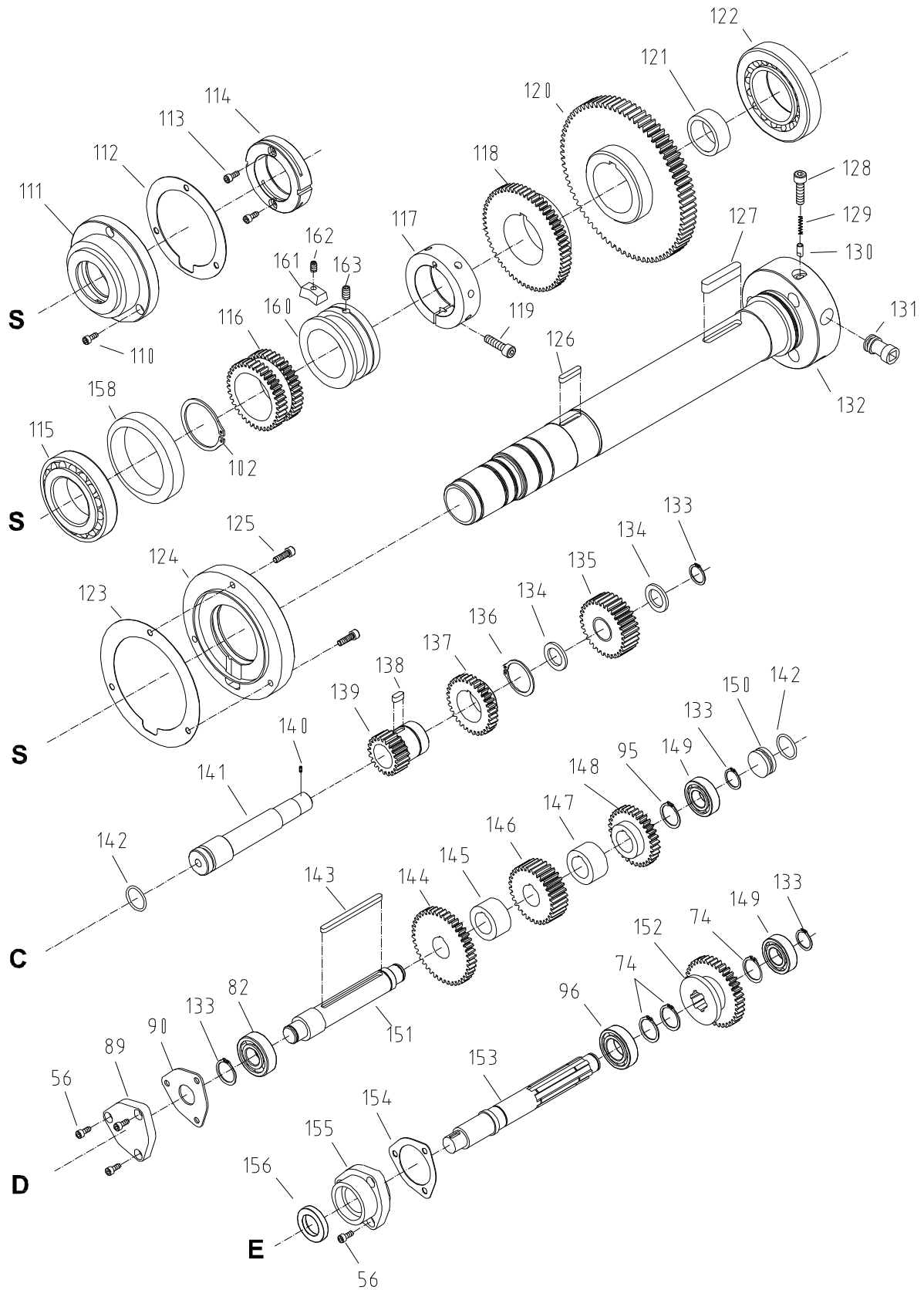
2.2.1 Headstock Assembly II – Exploded View



2.2.2 Headstock Assembly II – Parts List

Index No.	Part No.	Description	Size	Qty
56	TS-1503031	Hex Socket Cap Screw	M6x12	18
61	TS-1504041	Hex Socket Cap Screw	M8x20	1
62	04-12	Washer		1
63	04-11	Pulley		1
64	11-10	Break Block		1
65	GB879-5X16	Pin	5x16	1
66	11-09	Brake Actuator Shaft		1
67	GB894.2-12	Retainer Ring	12	1
68	GB9877.1-SD25X45X7	Spacer	SD25x45x7	1
69	GB117-A6X26	Pin	A6x26	2
70	GB894.2-8	Retainer Ring	8	1
71	11-11	Brake Retainer Stud		1
72	04-13	Cover		1
73	04-14	Gasket		1
74	GB894.2-25	Retainer Ring	25	6
75	GB/T276-6205	Ball Bearing	6205/p5	1
76	GB1096-8X20	Key	8x20	2
77	GH1440W-04-03	Shaft		1
78	GB1096-8X72	Key	8x72	1
79	GH1440W-04-04	Gear	50T	1
80	GH1440W-04-05	Gear	37T	1
81	GH1440W-04-06	Gear	43T	1
82	GB/T276-6204	Ball Bearing	6204/p5	5
83	GH1440W-04-17	Washer		1
84	GH1440W-04-12	Gear	57T	1
85	GH1440W-04-11	Gear Shaft	20T	1
86	GB893.1-47	Retainer Ring	47	1
87	GB3452.1-40X2.65	O-Ring	40x2.65	1
88	04-28	Plug		1
89	04-53	Bearing Cap		2
90	04-52	Bearing Cap Gasket		2
91	GH1440W-04-08	Gear	28T	1
92	GB1096-8X38	Key	8x38	1
93	GH1440W-04-09	Gear	41T	1
94	GH1440W-04-10	Gear	34T	1
95	GB894.2-40	Retainer Ring	40	1
96	GB/T276-6005	Ball Bearing	6005/p5	4
97	GH1440W-04-07	Gear Shaft	21T	1
98	GB894.2-17	Retainer Ring	17	1
99	GB/T276-61803	Ball Bearing	61803/p5	2
100	GH1440W-04-15	Gear	21T	1
101	GH1440W-04-14	Gear	58T	1
102	GH1440W-04-16	Washer		1
103	GB894.2-55	Retainer Ring	55	1
104	GH1440W-04-19	Gear	59T	1
105	GH1440W-04-18	Gear	31T	1
106	GB1096-10X18	Key	10x18	1
107	GH1440W-04-13	Spline Shaft		1
108	GH1440W-04-24	Cover		1
109	TS-1503081	Hex Socket Cap Screw	M6x35	4
157	11-15	Brake Shoe Assembly		1
164	VB-A73	V-Belt (GH-1340W-1/3 & GH-1440W-1)		2
	VB-A74	V-Belt (GH-1440W-3)		2

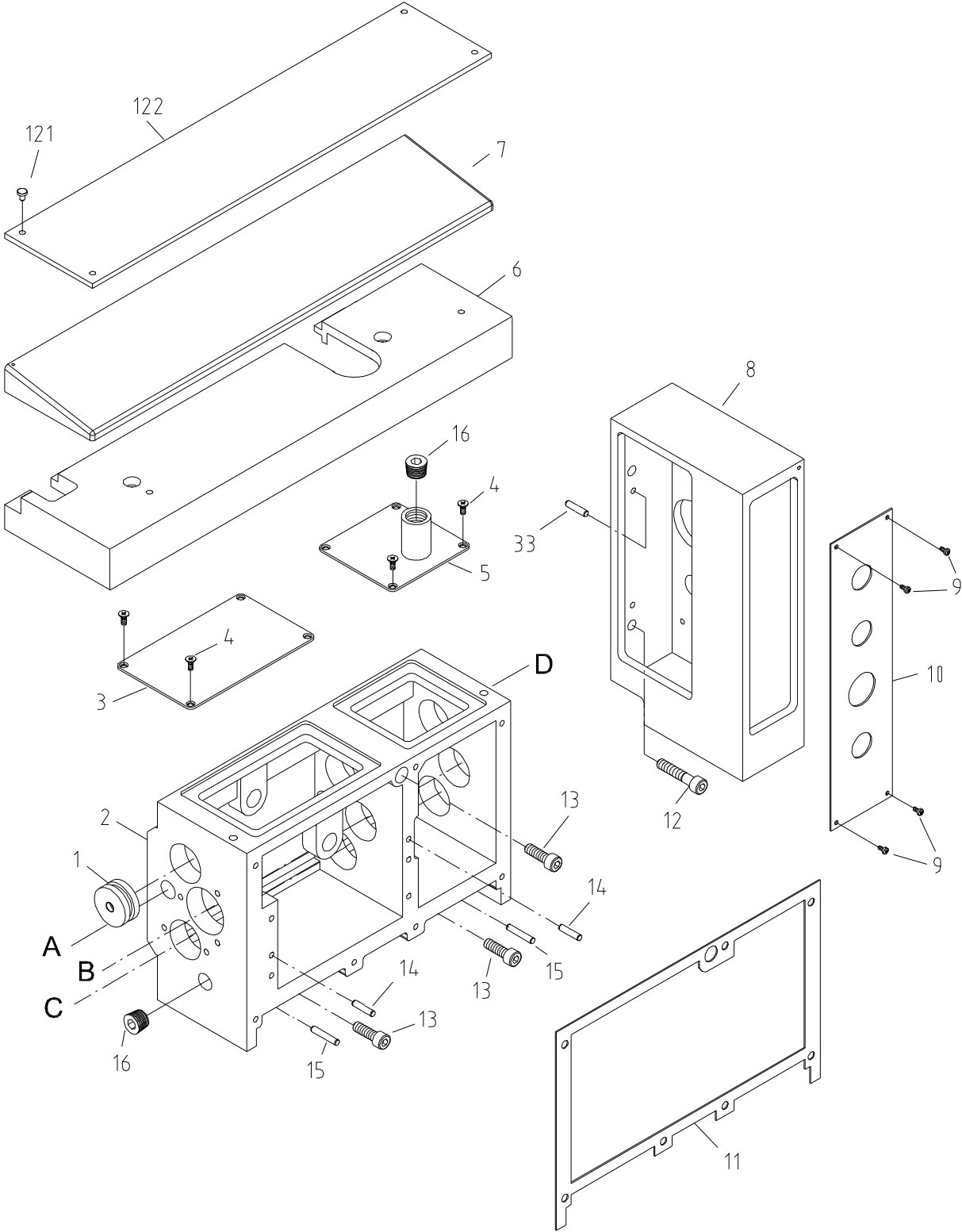
2.3.1 Headstock Assembly III – Exploded View



2.3.2 Headstock Assembly III – Parts List

Index No.	Part No.	Description	Size	Qty
56	TS-1503031	Hex Socket Cap Screw	M6x12	18
74	GB894.2-25	Retainer Ring	25	6
82	GB/T276-6204	Ball Bearing	6204/p5	5
89	04-53	Bearing Cap		2
90	04-52	Bearing Cap Gasket		2
95	GB894.2-40	Retainer Ring	40	1
96	GB/T276-6005	Ball Bearing	6005/p5	4
102	GH1440W-04-16	Washer		1
110	TS-1503041	Hex Socket Cap Screw	M6x16	3
111	GH1440W-04-29	Cover		1
112	04-60	Gasket		1
113	TS-1502031	Hex Socket Cap Screw	M5x12	2
114	GH1440W-04-31	Nut		1
115	GB/T297-32011	Tapered Roller Bearing	32011/p5	1
116	GH1440W-04-30	Gear	38T	1
117	GH1440W-04-27	Lock Collar		1
118	GH1440W-04-21	Gear	59T	1
119	TS-1504061	Hex Socket Cap Screw	M8x30	1
120	GH1440W-04-23	Gear	87T	1
121	GH1440W-04-25	Collar		1
122	GB/T297-30212	Tapered Roller Bearing	30212/p5	1
123	GH1440W-04-32	Gasket		1
124	GH1440W-04-28	Cover		1
125	TS-1503051	Hex Socket Cap Screw	M6x20	3
126	GB1096-6X30	Key	6x30	1
127	GB1096-10X55	Key	10x55	1
128	TS-1504031	Hex Socket Cap Screw	M8x16	3
129	04-31/1	Spring		3
130	04-86	Camlock Set Pin		3
131	04-85	Camlock		3
132	GH1440W-04-22	Spindle		1
133	GB894.2-20	Retainer Ring	20	4
134	04-36	Spacer		2
135	04-35	Gear	32T	1
136	GB894.2-37	Retainer Ring	37	1
137	04-54	Gear	32T	1
138	GB1096-5X16	Key	5x16	1
139	04-55	Gear	32T	1
140	TS-1523041	Set Screw	M6x12	1
141	04-37	Shaft		1
142	GB3452.9-25X2.65	O-Ring	25x2.65	3
143	04-47/1	Key	6x90	1
144	04-46	Gear	42T	1
145	04-45	Collar		1
146	04-44	Gear	32T	1
147	04-39	Collar		1
148	04-41	Gear	32T	1
149	GB/T276-6004	Ball Bearing	6004/p5	2
150	GH1440W-04-33	Plug		1
151	04-47	Shaft (D)		1
152	04-43	Gear	38T	1
153	04-42	Spline Shaft (E)		1
154	04-48	Housing Gasket		1
155	04-49	Housing		1
156	GB9877.1-SD25X40X7	Spacer	SD25x40x7	1
158	GH1440W-04-65	Collar		1
160	GH1440W-04-66	Balance Space		1
161	GH1440W-04-67	Balance Block		1
162	TS-1523041	Set Screw	M6x12	1
163	TS-1524031	Set Screw	M8x12	1

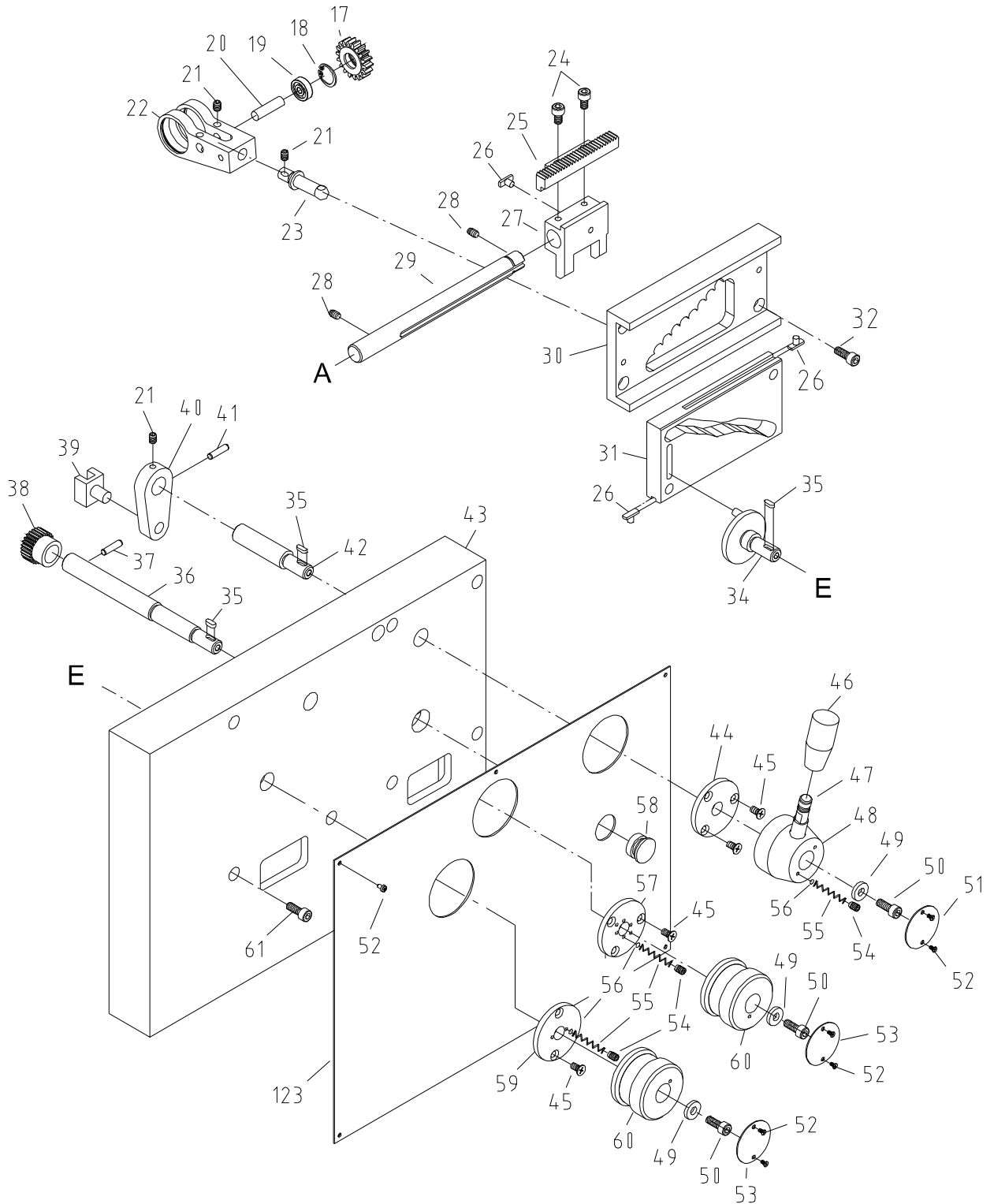
2.4.1 Gearbox Assembly I – Exploded View



2.4.2 Gearbox Assembly I – Parts List

Index No.	Part No.	Description	Size	Qty
1	05-73	Plug		1
2	GH1440W-05-06	Gearbox Casting		1
3	05-07	Front Cover		1
4	TS-1532032	Flat Head Machine Screw	M4x10	8
5	GH1440W-05-26	Oil Cover (14")		1
	GH1340W-05-26	Oil Cover (13")		1
6	GH1440W-05-07/1	Cover (14")		1
	GH1340W-05-07/1	Cover (13")		1
7	GH1440W-05-08	Top Cover		1
8	GH1440W-05-09	Bracket		1
9	TS-1531012	Pan Head Machine Screw	M3x6	4
10	GH1440W-05-11	Electrical Plate		1
11	05-61	Gearbox Gasket		1
12	TS-1504081	Hex Socket Cap Screw	M8x40	2
13	TS-1504051	Hex Socket Cap Screw	M8x25	3
14	GH1440W-14	Pin	5x20	2
15	GH1440W-15	Pin	5x28	2
16	05-75	Plug		2
33	GB118-A8X30	Pin	A8x30	2
121	GB867-2X4	Rivet	2x4	4
122	GH-1440W-05-12/1	Speed Chart		1

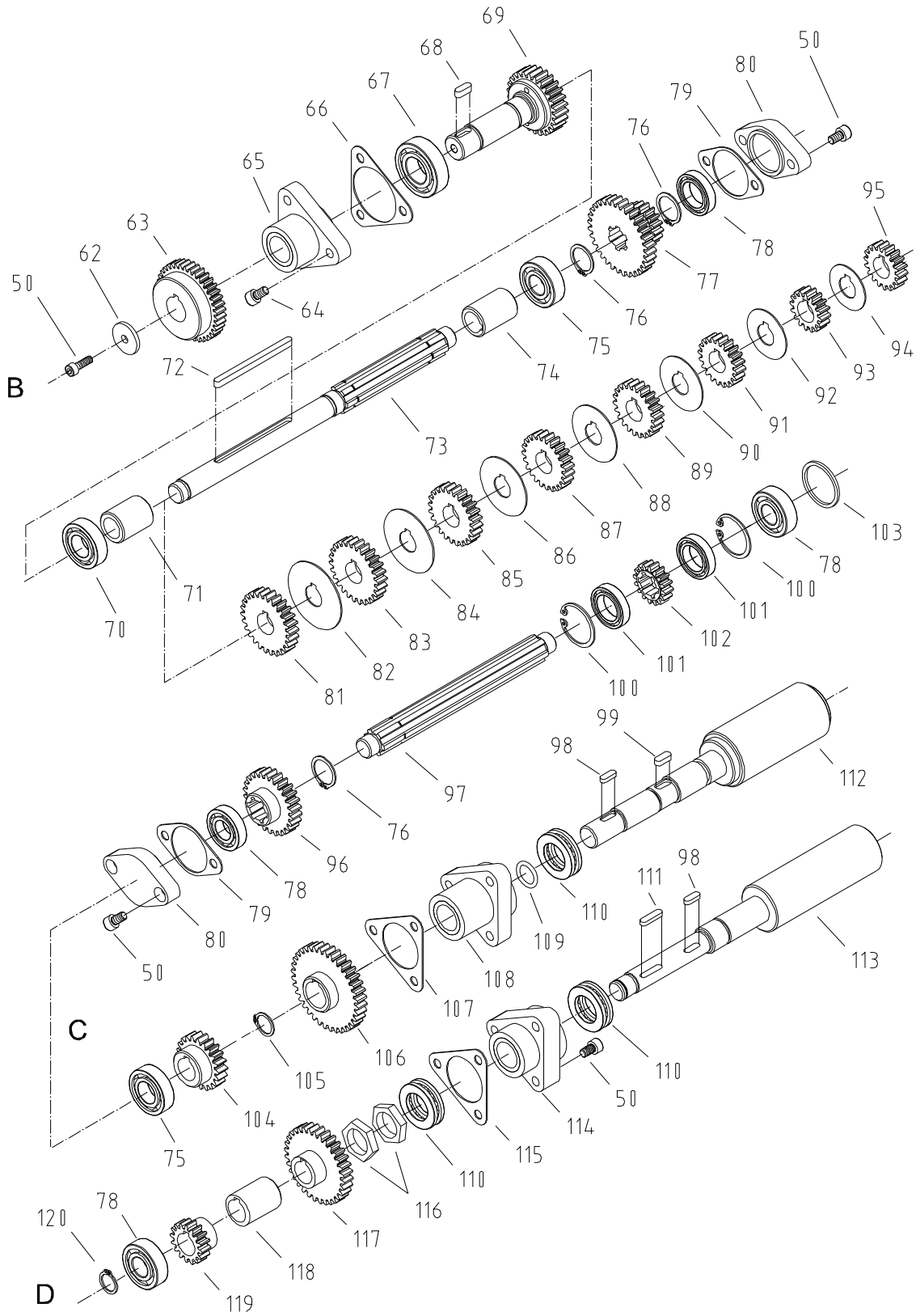
2.5.1 Gearbox Assembly II – Exploded View



2.5.2 Gearbox Assembly II – Parts List

Index No.	Part No.	Description	Size	Qty
17	05-49	Gear	16T	1
18	GH893.1-19	Retainer Ring	19	1
19	GB/T276-6198	Bearing	6198/p5	1
20	05-51	Shaft		1
21	TS-1523021	Set Screw	M6x8	4
22	05-03	Shifter		1
23	05-02	Shaft		1
24	TS-1503051	Hex Socket Cap Screw	M6x20	2
25	05-13	Rack		1
26	05-01	Shift Key		3
27	05-12	Shift Fork		1
28	TS-1523021	Set Screw	M6x8	2
29	05-15	Shaft		1
30	05-05	Locating Plate		1
31	05-04	Control Plate		1
32	TS-1503031	Hex Socket Cap Screw	M6x12	4
33	GB118-A8X30	Pin	A8x30	2
34	05-60	Shift Hub		1
35	GB1096-4X10	Key	4x10	3
36	GH1440W-05-02	Shaft		1
37	GB879-5X20	Pin	5x20	1
38	05-14	Gear	26T	1
39	05-55	Shift Fork		1
40	05-56	Shift Lever		1
41	GB879-5X20	Pin	5x20	1
42	GH1440W-05-03	Shaft		1
43	GH1440W-05-01	Cover		1
44	05-58	Locating Disk		1
45	GB819-M5X10	Flat Head Machine Screw	M5x10	8
46	GB4141.14-BM10X50	Knob		1
47	GH1440W-05-15	Handle Shaft		1
48	GH14440W-05-14	Shift Hub		1
49	05-08	Washer		3
50	TS-1503041	Hex Socket Cap Screw	M6x16	14
51	04-90	Indicator Disk		1
52	TS-1531012	Pan Head Machine Screw	M3x6	12
53	05-70	Indicator Disk		2
54	TS-1524011	Set Screw	M8x8	4
55	GH1440W-05-72	Spring		4
56	GB308-SB6.5	Steel Ball	6.5	4
57	05-10	Locating Disk		1
58	GH1440W-05-27	Oil Sight Glass		1
	GHW1160-16A	Oil Sight Glass (<i>serial no. 1007W2720W and higher</i>)	M16x1.5	1
59	05-59	Locating Disk		1
60	GH1440W-05-13	Shift Hub		2
61	TS-1503081	Hex Socket Cap Screw	M6x35	7
123	GH1440W-05-10-1	Name Plate (1 Phase)		1
	GH1440W-05-10-3	Name Plate (3 Phase)		1
	GH1340W-05-10-1	Name Plate (1 Phase)		1
	GH1340W-05-10-3	Name Plate (3 Phase)		1

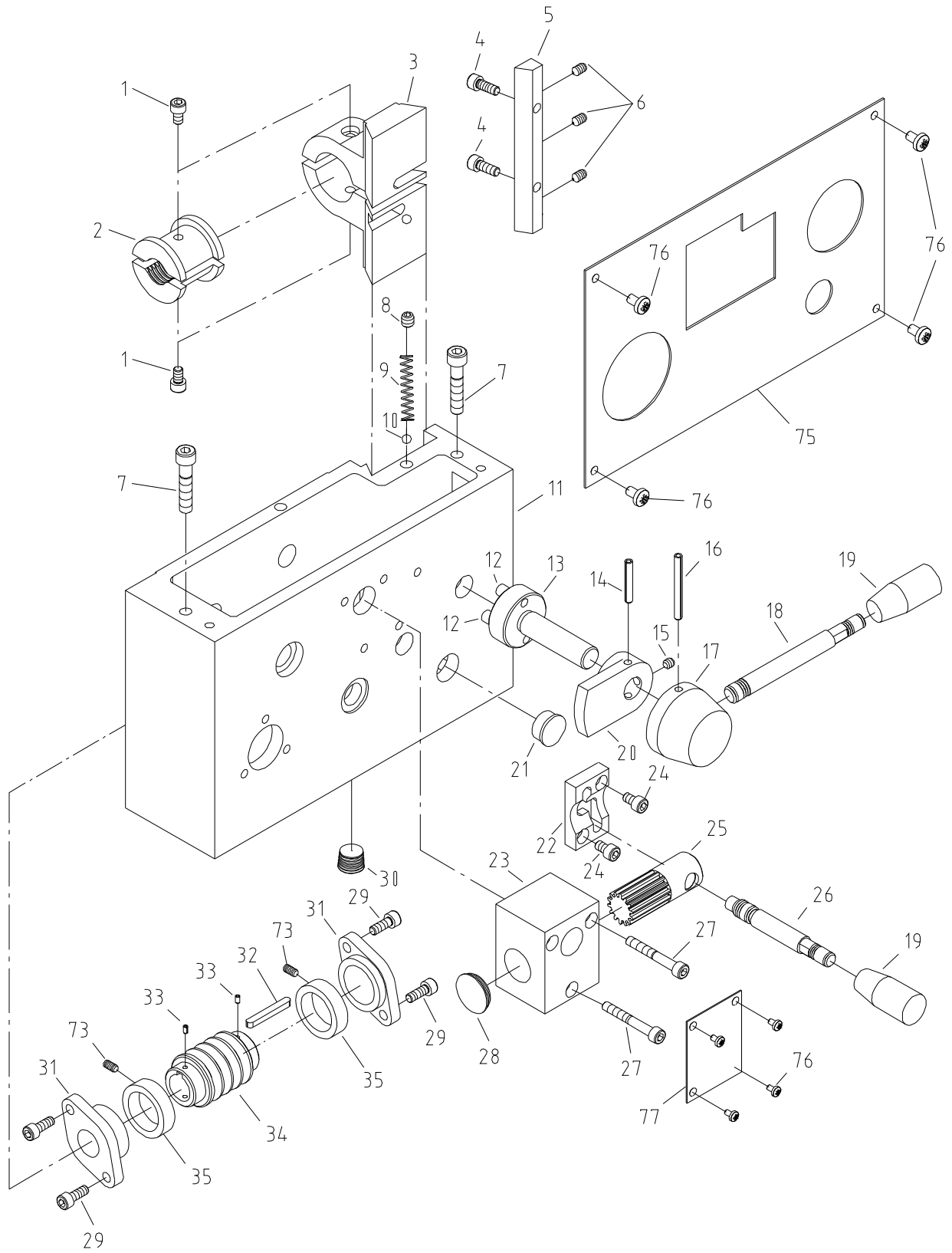
2.6.1 Gearbox Assembly III – Exploded View



2.6.2 Gearbox Assembly III – Parts List

Index No.	Part No.	Description	Size	Qty
50	TS-1503041	Hex Socket Cap Screw	M6x16	14
62	05-42	Washer		1
63	05-41	Gear	50T	1
64	TS-1503051	Hex Socket Cap Screw	M6x20	3
65	05-39	Flange		1
66	05-38	Gasket		1
67	GB/T276-6004	Ball Bearing	6004/P5	1
68	GB1096-5X14	Key	5x14	1
69	05-40	Gear Shaft Assembly		1
70	GB/T276-6002	Ball Bearing	6002/p5	1
71	05-36	Shaft Collar		1
72	GB1096-5X75	Key	5x75	1
73	05-27	Shaft		1
74	05-67	Shaft Collar		1
75	GB/T276-6003	Ball Bearing	6003/p5	2
76	GB894.1-20	Retainer Ring	20	3
77	05-21	Gear	16T/32T	1
78	GB/T276-6202	Ball Bearing	6202/p5	4
79	05-48	Gasket		2
80	05-47	Flange		2
81	05-35	Gear	28T	1
82	GH1440W-05-19	Washer		1
83	05-34	Gear	26T	1
84	GH1440W-05-20	Washer		1
85	05-33	Gear	24T	1
86	GH1440W-05-21	Washer		1
87	05-32	Gear	23T	1
88	GH1440W-05-22	Washer		1
89	05-31	Gear	22T	1
90	GH1440W-05-23	Washer		1
91	05-30	Gear	20T	1
92	GH1440W-05-24	Washer		1
93	05-29	Gear	18T	1
94	GH1440W-05-25	Washer		1
95	05-28	Gear	16T	1
96	05-37	Gear	26T	1
97	05-52	Spline Shaft		1
98	GB1096-5X14	Key	5x14	2
99	GB1096-6X14	Key	6x14	1
100	GB893.1-32	Retainer Ring	32	2
101	GB/T276-61804	Bearing	61804/p5	2
102	05-49	Gear	16T	1
103	GH1340A-05-66	Washer		1
104	05-25	Gear	21T	1
105	GB896-15	Retainer Ring	15	1
106	05-19	Gear	36T	1
107	05-53	Gasket		1
108	05-17	Flange		1
109	GB3452.1-15X2.65	O-Ring	15x2.65	1
110	GB301-8104	Ball Bearing	8104	3
111	GB1096-5X20	Key	5x20	1
112	GH1440W-05-04	Shaft		1
113	GH1440W-05-05	Shaft		1
114	05-18	Flange		1
115	05-53	Gasket		1
116	05-20	Nut		2
117	05-22	Gear	32T	1
118	05-24	Collar		1
119	05-26	Gear	16T	1
120	GB894.1-15	Retainer Ring		1

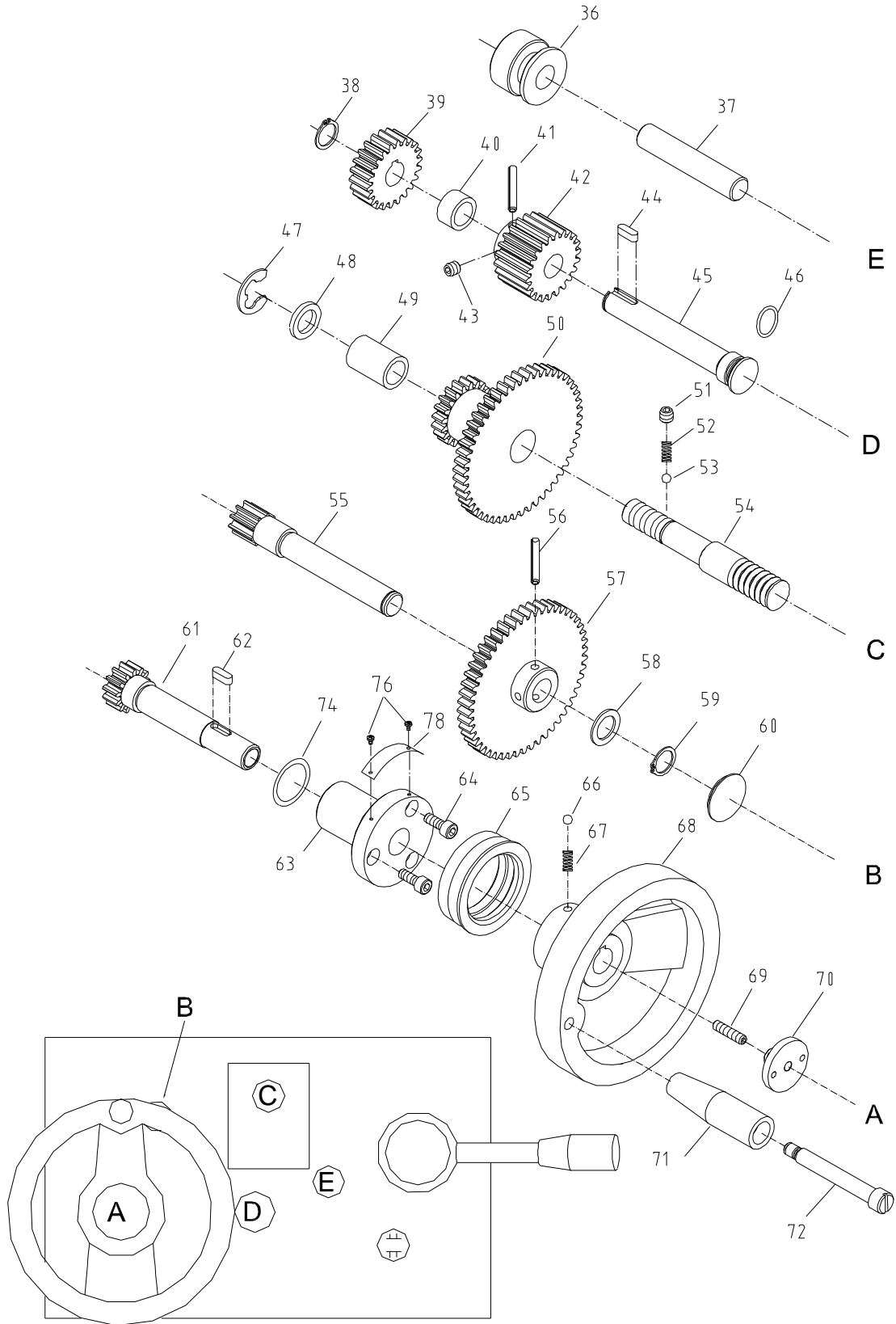
2.7.1 Apron Assembly I – Exploded View



2.7.2 Apron Assembly I – Parts List

Index No.	Part No.	Description	Size	Qty
1	TS-1503021	Hex Socket Cap Screw	M6x10	2
2	06-37	Half Nut		1
3	06-36	Bracket		1
4	TS-1503041	Hex Socket Cap Screw	M6x16	2
5	06-33	Gib		1
6	TS-1523031	Set Screw	M6x10	3
7	TS-1504081	Hex Socket Cap Screw	M8x40	2
8	TS-1524011	Set Screw	M8x8	1
9	06-39	Spring		1
10	GB308-SB6	Steel Ball	6	1
11	06-01	Casting		1
12	06-42-1	Pin		2
13	06-42	Half Nut Cam		1
14	GB879-5X35	Pin	5x35	1
15	TS-1523011	Set Screw	M6x6	1
16	GB879-5X50	Pin	5x50	1
17	GH1440W-06-09	Hub		1
18	GH1440W-06-04	Handle Shaft		1
19	GB4141.14-BM10X50	Knob		2
20	06-40	Safety Catch		1
21	GB1160-12	Oil Sight Glass	12	1
	GHW1160-16A	Oil Sight Glass (<i>serial no. 1007W2720W and higher</i>)	M16x1.5	1
22	GH1340W-06-04	Bracket		1
23	06-16	Block		1
24	TS-1503031	Hex Socket Cap Screw	M6x12	2
25	GH1440W-06-07	Spline Shaft		1
26	GH1440W-06-08	Handle Shaft		1
27	TS-1503101	Hex Socket Cap Screw	M6x45	3
28	06-02	Plug		1
29	TS-1503041	Hex Socket Cap Screw	M6x16	4
30	06-35	Drain Plug		1
31	06-34	Flange		2
32	GB1096-5X56	Key	5x56	1
33	GB879-3X5	Pin	3x5	2
34	06-27	Worm		1
35	06-50	Collar		2
73	TS-1522031	Set Screw	M5x10	2
75	GH1440W-06-01	Apron Label		1
76	TS-1531012	Pan Head Screw	M3x6	10
77	GH1440W-06-03	Thread Dial Label		1
	GHW-AP-CA	Apron Assembly Complete		

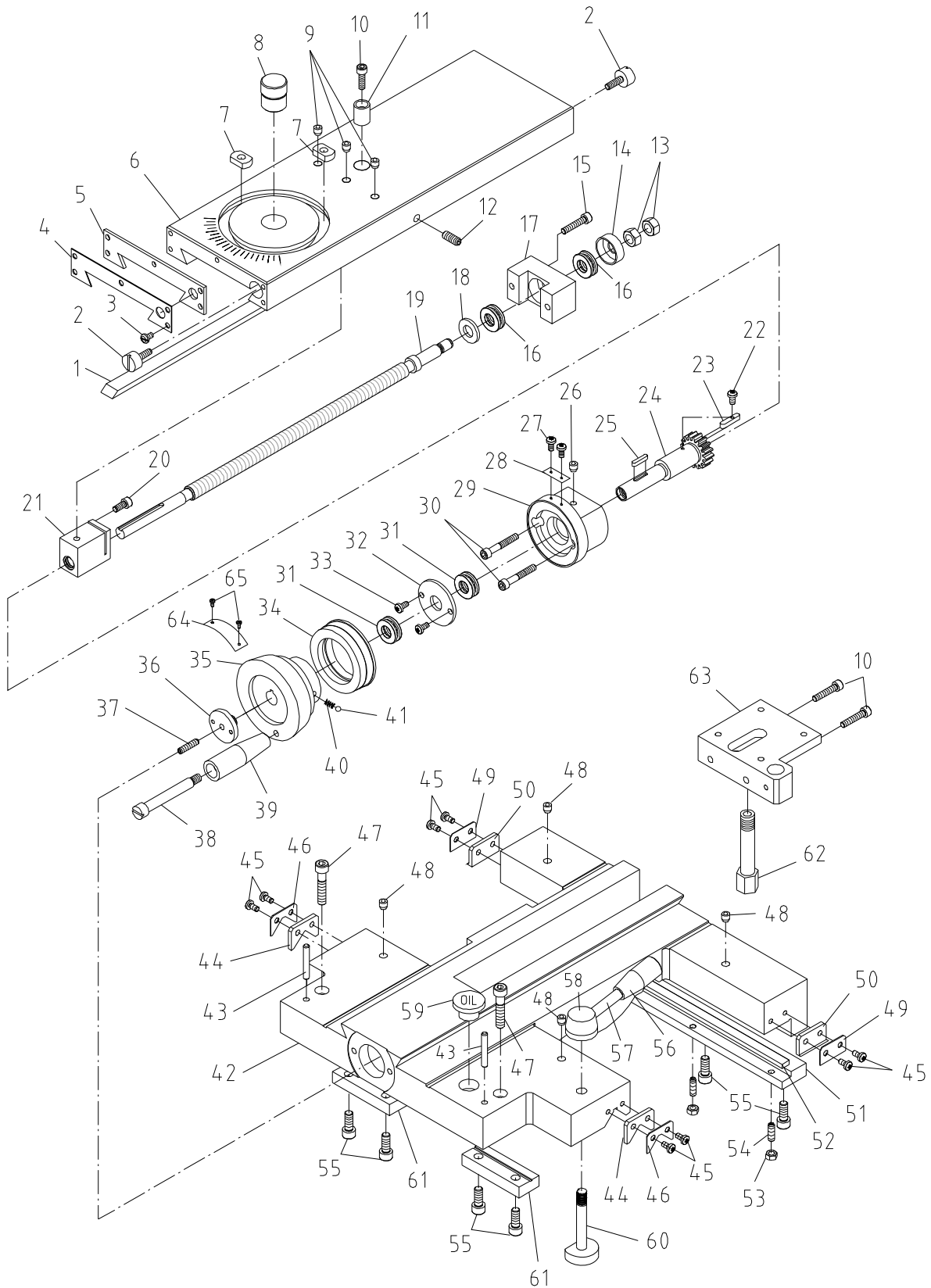
2.8.1 Apron Assembly II – Exploded View



2.8.2 Apron Assembly II – Parts List

Index No.	Part No.	Description	Size	Qty
36	06-44	Bushing		1
37	06-43	Shaft		1
38	GB894.1-16	Retainer Ring	16	1
39	06-28	Gear	22T	1
40	06-26	Collar		1
41	GB879-5X35	Pin	5x35	1
42	06-20	Gear	24T	1
43	TS-1523011	Set Screw	M6x6	1
44	GB1096-5X15	Key	5x15	1
45	06-19	Shaft		1
46	GB3452.1-17X1.8	O-Ring	17x1.8	1
47	GB896-12	Retainer Ring	12	1
48	06-10	Bushing		1
49	06-15-1	Collar		1
50	GH1440W-06-15	Cluster Gear	50T/20T	1
51	TS-1524011	Set Screw	M8x8	1
52	GH1440W-06-14	Spring		1
53	GB308-SB6	Steel Ball	6	1
54	GH1440W-06-13	Shaft		1
55	06-06	Shaft		1
56	GB879-5X30	Pin	5x30	1
57	06-08	Gear	50T	1
58	06-10	Bushing		1
59	GB894.1-16	Retainer Ring	16	1
60	06-11	Plug		1
61	06-07	Shaft		1
62	GB1096-5X15	Key	5x15	1
63	GH1440W-06-05	Wheel Flange		1
64	TS-1503041	Hex Socket Cap Screw	M6x16	3
65	06-31	Indicator Ring		1
66	GB308-SB6	Steel Ball	6	2
67	06-32	Spring		2
68	GH1440W-06-06	Wheel		1
69	TS-1523071	Set Screw	M6x25	1
70	06-30	Wheel Stud		1
71	GH1440W-06-11	Handle Sleeve		1
72	GH1440W-06-10	Handle Lever		1
73	TS-1522031	Set Screw	M5x10	2
74	GB3452.1-25.8X3.55	O-Ring	25.8x3.55	1
76	TS-1531012	Pan Head Screw	M3x6	10
78	GH1440W-06-38	Indicator Label		1

2.9.1 Carriage and Cross Slide Assembly – Exploded View

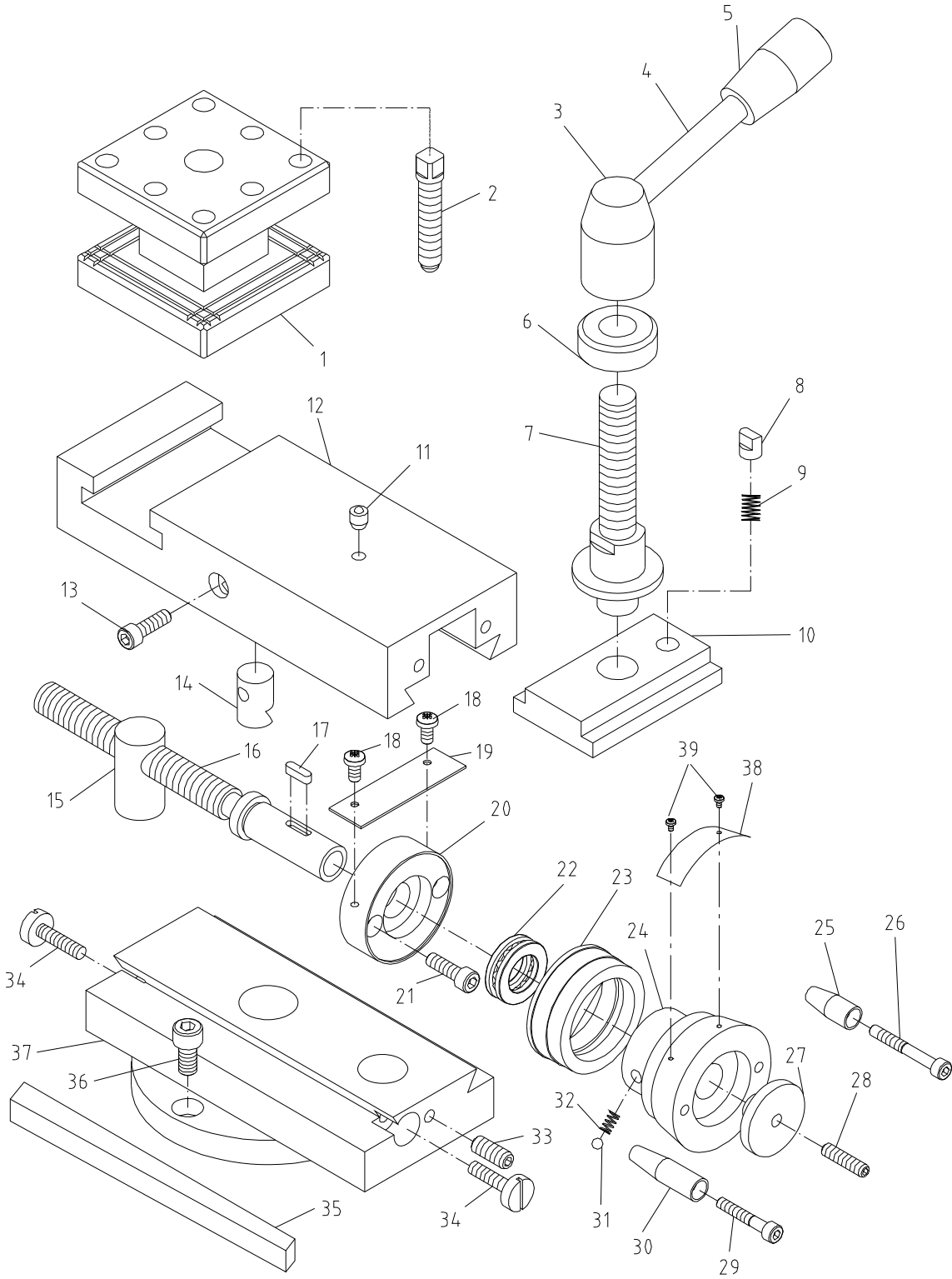


2.9.2 Carriage and Cross Slide Assembly – Parts List

Index No.	Part No.	Description	Size	Qty
1	GH1440W-07-04	Gib		1
2	07-28	Gib Adjusting Screw		2
3	GB818-M5X10	Pan Head Machine Screw	M5x10	5
4	GH1440W-07-12	Plate		1
5	GH1440W-07-11	Plate Wiper		1
6	GH1440W-07-02	Cross Slide Body		1
7	07-07	Clamp Nut		2
8	07-08	Hub		1
9	GB1155-8	Oiler	8	3
10	TS-1503051	Hex Socket Cap Screw	M6x20	1
11	07-05	Sleeve		1
12	TS-1524011	Set Screw	M8x8	1
13	GB6172-M10	Hex Nut	M10	2
14	07-02	Bearing Cap		1
15	TS-1503071	Hex Socket Cap Screw	M6x30	2
16	GB301-8101	Thrust Bearing	8101	2
17	07-03	Block		1
18	07-25	Spacer		1
19	GH1440W-07-16	Leadscrew		1
20	TS-1503031	Hex Socket Cap Screw	M6x12	1
21	GH1440W-07-10	Crossfeed Nut		1
22	GB819-M3X5	Pan Head Machine Screw	M3x5	1
23	07-21	Key	5X25	1
24	GH1440W-07-14	Gear Shaft		1
25	GB1096-4X20	Key	4x20	2
26	GB1155-6	Oiler	6	1
27	GB818-M3X6	Pan Head Screw	M3x6	2
28	07-04-01	Indicator Label		1
29	GH1440W-07-13	Housing		1
30	TS-1503091	Hex Socket Cap Screw	M6x40	2
31	GB301-8102	Thrust Bearing	8102	2
32	07-18	Washer		1
33	TS-2285102	Pan Head Machine Screw	M5x10	2
34	07-17	Index Ring		1
35	GH1440W-07-18	Compound Handle		1
36	07-15	Cover Screw		1
37	TS-1523071	Set Screw	M6x25	1
38	GH1440W-07-17	Handle Lever		1
39	GH1440W-07-26	Handle Sleeve		1
40	GB2089-0.7X5X9	Spring	0.7x5x9	2
41	GB308-SB6	Steel Ball	6	2
42	GH1440W-07-01	Saddle		1
43	GB117-6X40	Pin	6x40	2
44	GH1440W-07-03	Plate Wiper		2
45	TS-2285102	Pan Head Machine Screw	M5x10	8
46	GH1440W-07-07	Plate		2
47	TS-1515051	Hex Socket Cap Screw	M8x40	2
48	GB1155-79	Oiler		4
49	GH1440W-07-05	Plate		2
50	GH1440W-07-06	Plate Wiper		2
51	07-24	Rear Pressure Plate		1
52	07-23	Gib		1
53	GB6170-M6	Lock Nut	M6	4
54	TS-1523061	Set Screw	M6x20	4
55	TS-1504041	Hex Socket Cap Screw	M8x20	6
56	GB4141.14-M10X50	Handle Knob	M10x50	1
57	GH1440W-07-27	Handle Shaft		1
58	GH1440W-07-25	Hub		1
59	04-06	Oil Cap		1

Index No.	Part No.	Description	Size	Qty
60	GH1440W-07-08	Lock Stud		1
61	GH1440W-07-09	Front Pressure Plate		2
62	14-04	Connected Tube		1
63	14-03	Lamp Bracket		1
	GHW-CFLA	Cross Feed Lead Screw & Nut Assy. (includes #19-21)		
	GHW1440W-CFDA	Cross Feed Dial Assy. (includes 22-26, 29-41)		

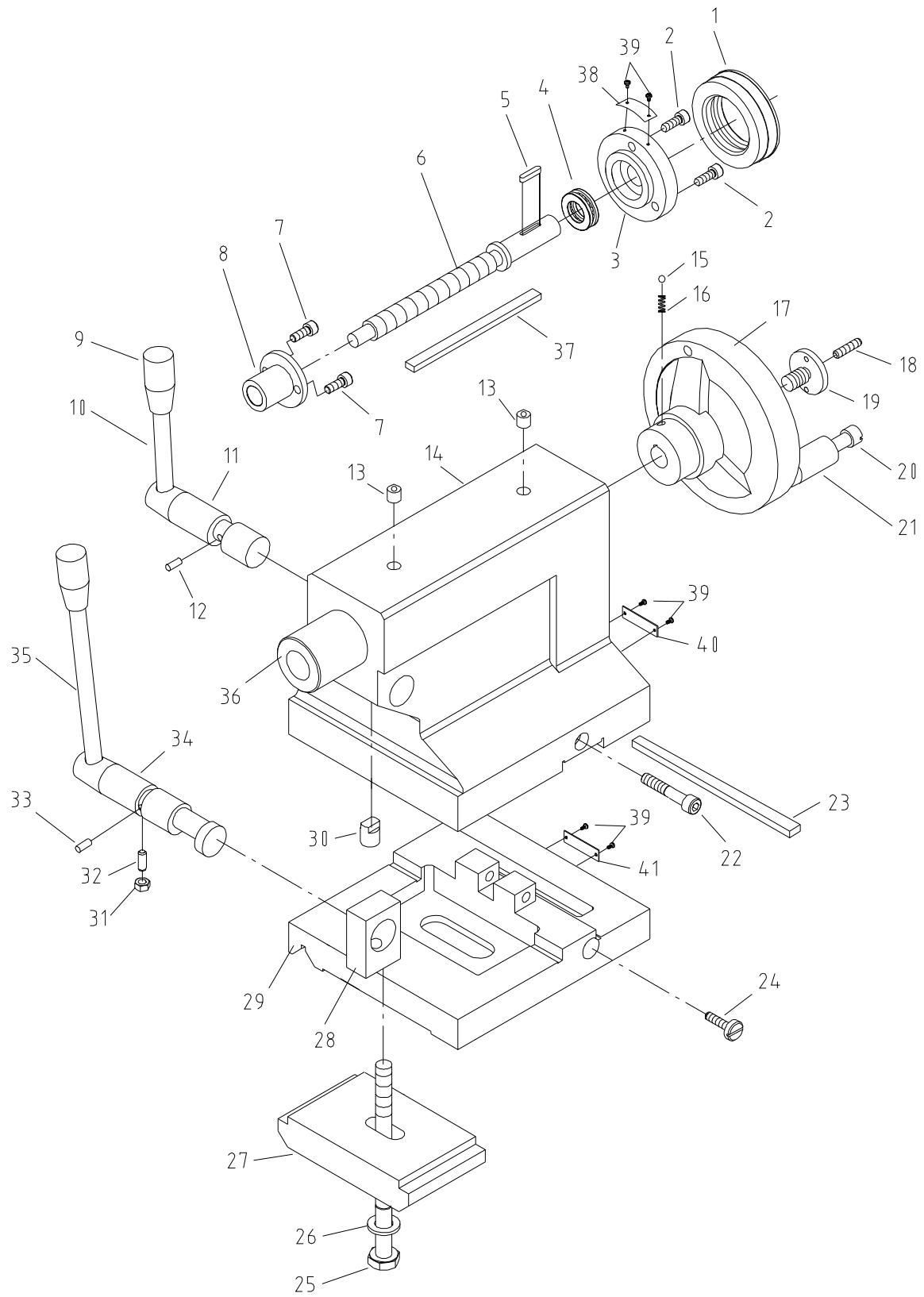
2.10.1 Four Way Tool Post and Compound Slide Assembly – Exploded View



2.10.2 Four Way Tool Post and Compound Slide Assembly – Parts List

Index No.	Part No.	Description	Size	Qty
1	07-32	Tool Post		1
2	GB83-10X50	Tool Lock Screw	10x50	8
3	GH1440W-07-20	Handle Hub		1
4	GH1440W-07-21	Handle Shaft		1
5	GB4141.14-BM10X50	Knob		1
6	GH1440W-07-19	Spacer		1
7	07-34	Tool Post Pin		1
8	07-29	Tool Post Pin		1
9	GB2089-1X8X11	Spring	1x8x11	1
10	07-37	Clamp Nut		1
11	GB1155-89	Oiler	8	1
12	07-49	Compound Slide		1
13	TS-1503051	Hex Socket Cap Screw	M6x20	1
14	07-09	Position Pin		1
15	07-39	Nut		1
16	07-40	Compound Screw		1
17	GB1096-4X14	Key	4x14	1
18	TS-1531012	Pan Head Machine Screw	M3x6	2
19	07-04-02	Name Plate		1
20	GH1440W-07-22	Screw Bushing		1
21	TS-1503051	Hex Socket Cap Screw	M6x20	2
22	GB301-8103	Thrust Bearing	8103	1
23	07-42	Index Ring		1
24	GH1440W-07-.28	Handwheel		1
25	GH1440W-07-23	Handle		1
26	TS-1513051	Hex Socket Cap Screw	M5x25	1
27	07-15	Cover Screw		1
28	TS-1523071	Set Screw	M6x25	1
29	TS-1502091	Hex Socket Cap Screw	M5x40	1
30	GH1440W-07-24	Handle		1
31	GB308-SB6	Steel Ball	6	2
32	GB2089-0.7X5X5	Spring	0.7x5x5	2
33	TS-1523051	Set Screw	M6x16	1
34	07-28	Gib Adjusting Screw		2
35	07-10	Gib		1
36	TS-1515011	Hex Socket Cap Screw	M8x16	2
37	GH1440W-07-15	Swivel Slide (14")		1
	GH1340W-07-15	Swivel Slide (13")		1
38	07-04-02	Indicator Label		1
39	GB818-M3X6	Pan Head Screw	M3x6	2
	GHW-THA	Tool Post Assy. (includes #1 & 2)		1
	GH1440W-CPA	Compound Assy. (includes # 11-39 for 14")		1
	GH1340W-CPA	Compound Assy. (includes # 11-39 for 13")		1

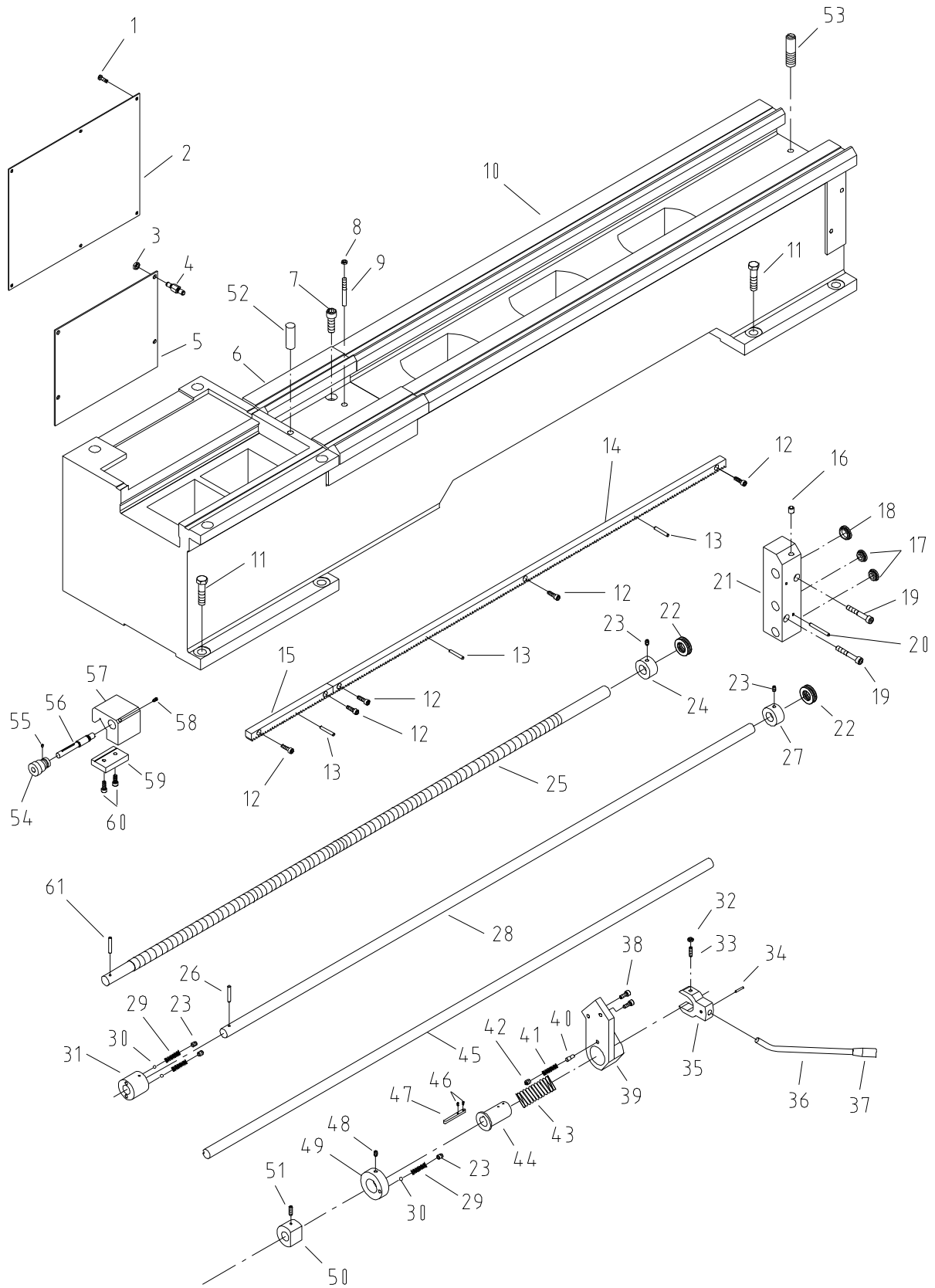
2.11.1 Tailstock Assembly – Exploded View



2.11.2 Tailstock Assembly – Parts List

Index No.	Part No.	Description	Size	Qty
1	08-09	Index Ring		1
2	TS-1503051	Hex Socket Cap Screw	M6x20	3
3	GH1440W-08-07	Hub		1
4	GB301-8103	Thrust Bearing	8103	1
5	GB1096-4X20	Key	4x20	1
6	08-05	Screw		1
7	TS-1503041	Hex Socket Cap Screw	M6x16	2
8	08-06	Flange		1
9	GB4141.14-BM10X50	Knob		2
10	GH1440W-06-04	Lever Handle		1
11	GH1440W-08-06	Eccentric Shaft		1
12	GB879-5X12	Pin	5x12	1
13	GB1155-10	Oiler	10	2
14	GH1440W-08-01	Tailstock Body		1
15	GB308-SB6	Steel Ball	6	1
16	GB2089-0.7X5X12	Spring	0.7x5x12	1
17	GH1440W-08-09	Wheel		1
18	TS-1523071	Set Screw	M6x25	1
19	08-12	Wheel Screw		1
20	GH1440W-06-10	Handle Lever		1
21	GH1440W-06-11	Handle Sleeve		1
22	GH1440W-T22	Hex Socket Cap Screw	M8x70	2
23	GH1440W-08-03	Gib		1
24	08-18	Gib Adjusting Screw		2
25	TS-1492091	Hex Cap Bolt (for 14")	M12x90	1
	TS-1492071	Hex Cap Bolt (for 13")	M12x70	1
26	TS-1550081	Washer	12	1
27	GH1440W-08-04	Tailstock Clamp Plate		1
28	08-16	Block		1
29	GH1440W-08-02	Tailstock Base (for 14")		1
	GH1340W-08-02	Tailstock Base (for 13")		1
30	08-02	Stop Pin		1
31	TS-1540041	Nut	M6	1
32	TS-1523051	Set Screw	M6x16	1
33	GB879-5X12	Pin	5x12	1
34	GH1440W-08-05	Eccentric Shaft		1
35	GH1440W-08-08	Lever Handle		1
36	08-04	Spindle		1
37	08-24	Key	3x6x55	1
38	08-07	Indicator Label		1
39	GHW-TA39	Pan Head Screw	M3x6	6
40	08-22	Indicator Label		1
41	08-23	Indicator Label		1
	GH1440W-TA-CA	Tailstock Complete Assembly (for 14")		1
	GH1340W-TA-CA	Tailstock Complete Assembly (for 13")		1

2.12.1 Bed Assembly – Exploded View

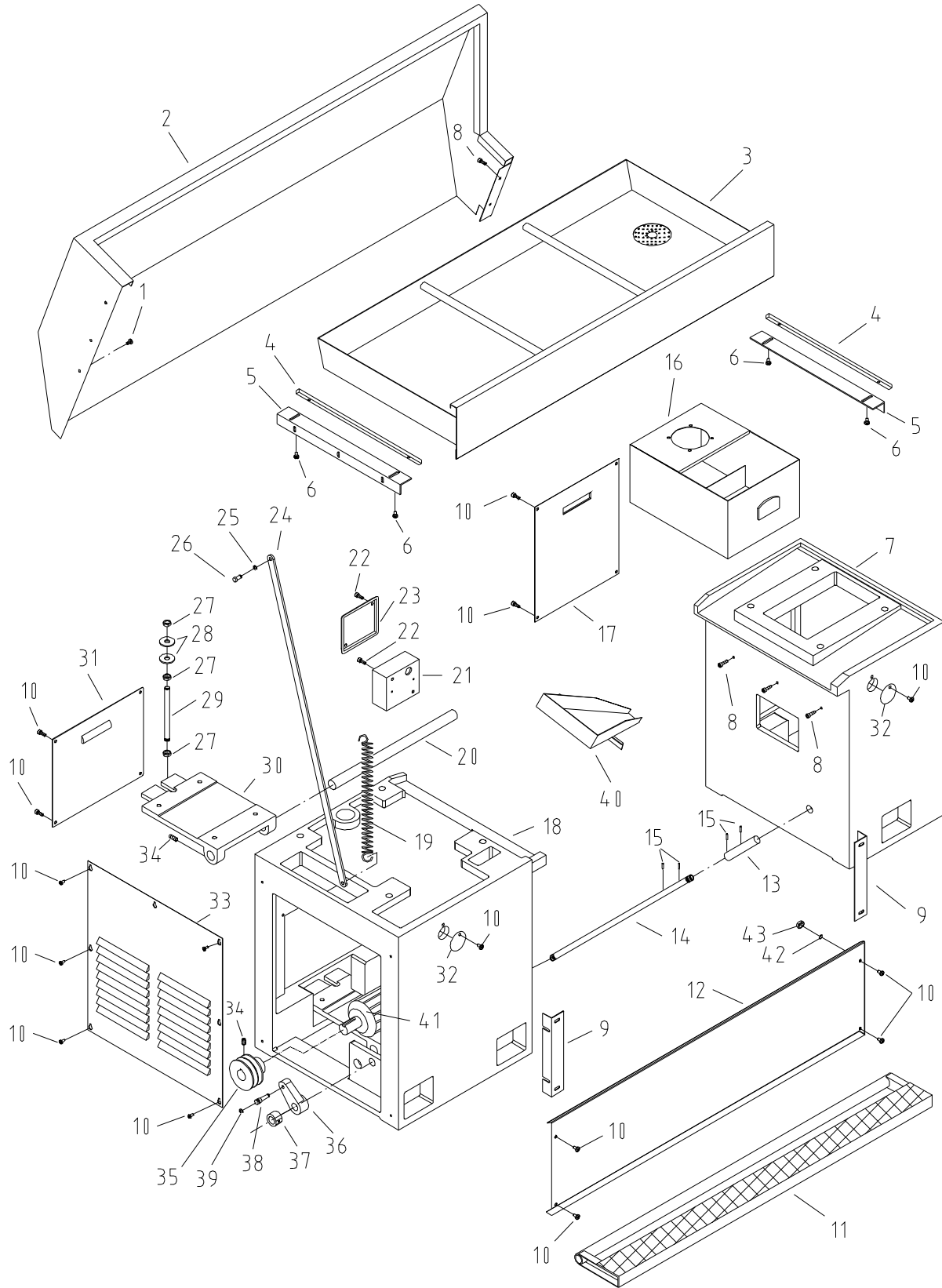


2.12.2 Bed Assembly – Parts List

Index No.	Part No.	Description	Size	Qty
1	GB818-M8X10	Pan Head Screw	M8x10	6
2	GH1440W-12-01	Electrical Box Cover		1
3	TS-1540061	Hex Nut	M8	4
4	C6240-120003	Stud		4
5	12-05	Electrical Plate		1
6	GH1440W-01-02	Gap		1
7	TS-1506051	Hex Socket Cap Screw	M12x40	4
8	TS-1540061	Hex Nut	M8	2
9	GB881-8X60	Pin	8x60	2
10	GH1440W-01-01	Bed		1
11	GB5782-M16X50	Hex Cap Bolt	M16x50	8
12	TS-1503061	Hex Socket Cap Screw	M6x25	6
13	GB879-5X35	Pin	5x35	6
14	01-07	Rack (long)		2
15	01-06	Rack (short)		1
16	GB1155-10	Oiler	10	1
17	01-41	Plug		2
18	01-42	Plug		1
19	TS-1504111	Hex Socket Cap Screw	M8x55	2
20	GB118-8X60	Pin	8x60	2
21	01-13	End Bracket		1
22	GB301-51104	Bearing	51104	2
23	TS-1524021	Socket Set Screw	M8x10	5
24	01-10	Collar		1
25	01-11	Lead Screw		1
26	GB879-5X35	Pin	5x35	1
27	01-16	Collar		1
28	01-15	Feed Shaft		1
29	01-38	Spring		3
30	GB308-SB6	Steel Ball	6	3
31	01-05	Clutch		1
32	TS-1540041	Hex Nut	M6	2
33	TS-1523061	Set Screw	M6x20	2
34	GB879-3X20	Pin	3x20	1
35	01-086/6	Control Fork		1
36	01-081/6	Control Handle		1
37	GB4141.14-BM10X50	Knob		1
38	TS-1503041	Hex Socket Cap Screw	M6x16	2
39	01-084/6	Control Bracket		1
40	01-082/6	Pin		1
41	01-38	Spring	1.2x6x20	1
42	TS-1524011	Set Screw	M8x8	1
43	GB2089-3X35X70	Spring	3x35x70	1
44	01-085/6	Sleeve		1
45	GH1440W-01-21	Spindle Control Shaft		1
46	TS-1520021	Set Screw	M3x6	2
47	01-083/6	Key	5x56	1
48	TS-1523031	Set Screw	M6x10	1
49	GH1440W-01-26	Collar		1
50	GH1440W-01-22	Shift Collar		1
51	TS-1523051	Set Screw	M6x16	1
52	GB119-16X40	Pin	16x40	1
53	01-19	Pin		1
	GH1340W-MCSA	Micro Carriage Stop Assembly (index #54-60)		1
54	13-03	Index Ring		1
55	GB879-3X5	Pin	3x5	1
56	13-02	Shaft		1
57	GH1440W-13-01	Bracket		1
58	GB79-M6X12	Set Screw	M6x12	1

Index No.	Part No.	Description	Size	Qty
59	13-04	Plate		1
60	TS-1503041	Hex Socket Cap Screw	M6x16	2
61	05-74	Pin	5x37	1

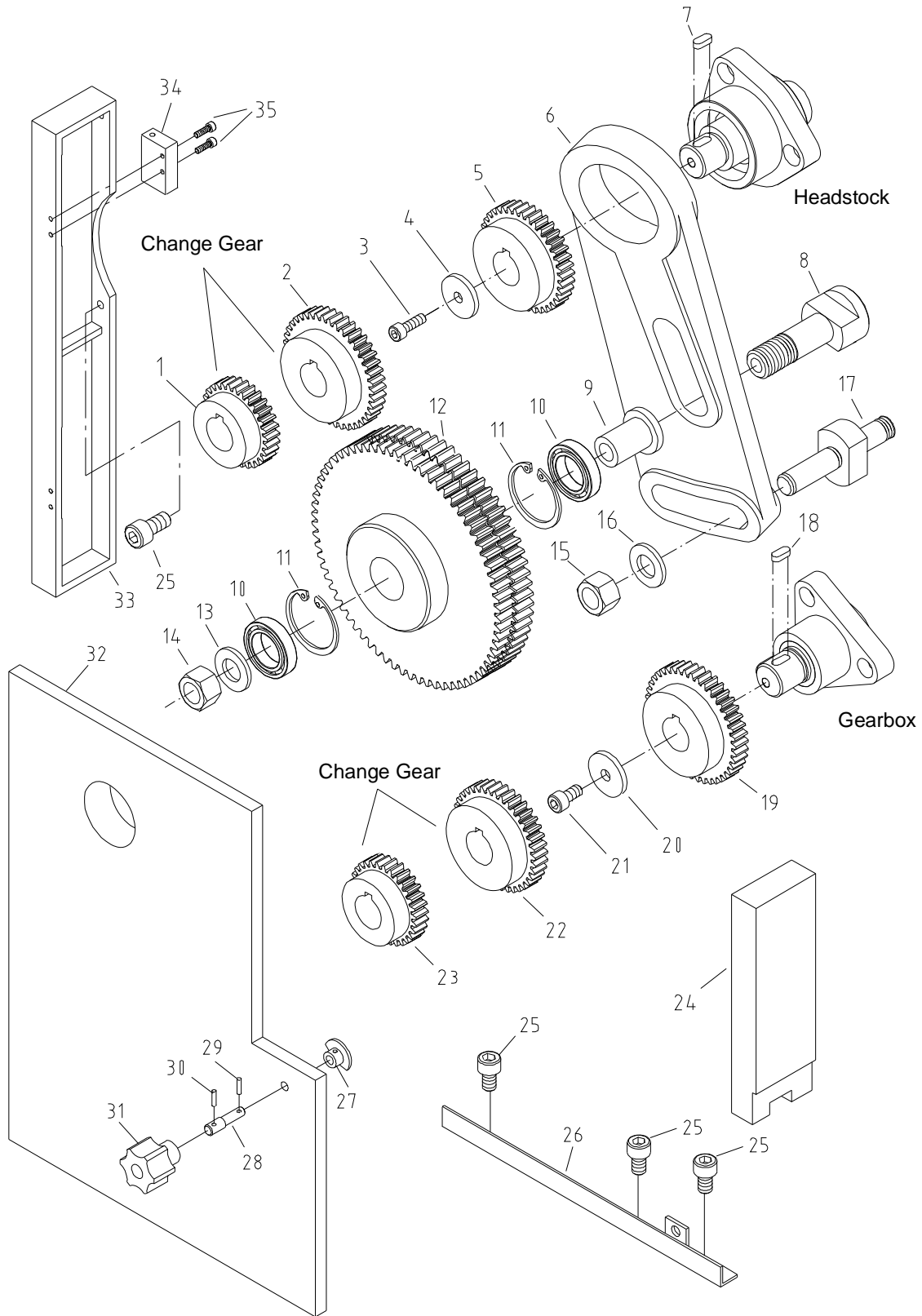
2.13.1 Stand Assembly – Exploded View



2.13.2 Stand Assembly – Parts List

Index No.	Part No.	Description	Size	Qty
1	GB818-M6X10	Pan Head Machine Screw	M6x10	3
2	GH1440W-01-23	Splash Guard		1
3	GH1440W-01-05	Chip Tray		1
4	GH1440W-01-07	Guide		2
5	GH1440W-01-06	Bracket		2
6	GB818-M6X10	Pan Head Machine Screw	M6x10	4
7	GH1440W-01-04	Pedestal (right)		1
8	TS-1503021	Hex Socket Cap Screw	M6x10	8
9	GH1440W-01-08	Bracket		2
10	GB818-M6X10	Pan Head Machine	M6x10	29
11	GH1440W-01-12	Brake Pedal		1
12	GH1440W-01-09	Front Plate		1
13	11-01	Shaft		1
14	GH1440W-01-13	Shaft		1
15	GB879-5X15	Pin	5x15	4
16	14-01	Coolant Tank		1
17	GH1440W-01-10	Cover		1
18	GH1440W-01-03	Pedestal (left)		1
19	11-04	Spring		1
20	GH1440W-01-14	Shaft		1
21	12-08	Switch Box		1
22	GB818-M6X10	Pan Head machine Screw	M6x10	4
23	12-09	Switch Box Cover		1
24	GH1440W-01-15	Connector Bar (for 14")		1
	GH1340W-01-15	Connector Bar (for 13")		1
25	GB896-6	Retaining Clip	6	1
26	11-12	Pin		1
27	GB6172-M12	Hex Nut	M12	3
28	GB96-12	Washer	12	2
29	01-23	Screw		1
30	GHW-SB-30-1	Motor Mounting Bracket (for 1 phase motor)		1
	GHW-SB-30-3	Motor Mounting Bracket (for 3 phase motor)		1
31	01-25	Cover		1
32	01-27	Cover		4
33	GH1440W-01-11	Cover		1
34	TS-1524011	Set Screw	M8x8	3
35	GH1440W-01-20	Pulley		1
36	GH1440W-01-24	Link		1
37	11-07	Link Nut		1
38	11-05	Shaft Pin		1
39	GB896-6	Retaining Clip	6	1
40	01-12	Tray		1
41	GHW-M1-1	Main Motor (1 Phase)		1
	GHW-M1-3	Main Motor (3 Phase)		1
	GH1440W-3MF	Motor Fan (not shown)		1
	GHW-CPS	Start Capacitor (for pre-2001 models)	800MFD 125VAC	1
	GHW-CPS-01	Start Capacitor (for post-2001 models)	150MFD 250VAC	1
	GHW-CP	Run Capacitor (for pre-2001 models)	60µF 450VAC	1
	GHW-CP-01	Run Capacitor (for post-2001 models)	30µF 500VAC	1
42	TS-1550041	Washer	6	4
43	TS-1540041	Hex Nut	M6	4

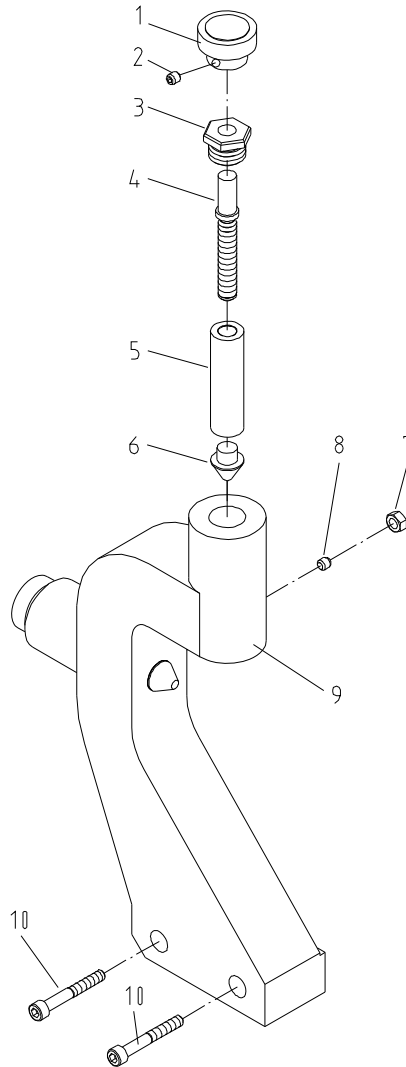
2.14.1 End Gear Assembly – Exploded View



2.14.2 End Gear Assembly – Parts List

Index No.	Part No.	Description	Size	Qty
1	15-02	Gear	30T	1
2	15-04	Gear	40T	1
3	TS-1502041	Hex Socket Cap Screw	M5x16	1
4	04-51	Washer		1
5	04-50	Gear	25T	1
6	GH1440W-15-01	Quadrant		1
7	GB1096-5X14	Key	5x14	1
8	05-43	Thread Shaft		1
9	05-45	Collar		1
10	BB-6103	Bearing	6103	2
11	GB893.1-35	Retaining Ring	35	2
12	05-65	Gear	120/127	1
13	05-44	Washer		1
14	TS-1540071	Hex Nut	M10	1
15	TS-1540081	Hex Nut	M12	1
16	GB97.2-85	Washer		1
17	GH1440W-15-20	Stud		1
18	GB1096-5X14	Key	5x14	1
19	05-41	Gear	50T	1
20	05-42	Washer		1
21	TS-1503041	Hex Socket Cap Screw	M6x16	1
22	15-03	Gear	32T	1
23	15-04	Gear	40T	1
24	GH1440W-01-17	Front Plate (for 14" model)		1
	GH1340W-01-17	Front Plate (for 13" model)		1
25	TS-1504041	Hex Socket Cap Screw	M8x20	7
26	GH1440W-01-19	Plate		1
27	C6240-10002	Door Latch		1
28	C6240-10001	Shaft		1
29	GB879-4X18	Pin	4x18	1
30	GB879-4X24	Pin	4x24	1
31	GB4141.29A-85	Knob		1
32	GH1440W-01-16	Change Gear Cover (for 14")		1
	GH1340W-01-16	Change Gear Cover (for 13")		1
33	GH1440W-01-18	Rear Plate (for 14")		1
	GH1340W-01-18	Rear Plate (for 13")		1
34	C6240-10004	Plate		2
35	TS-1503021	Hex Socket Cap Screw	M6x10	4

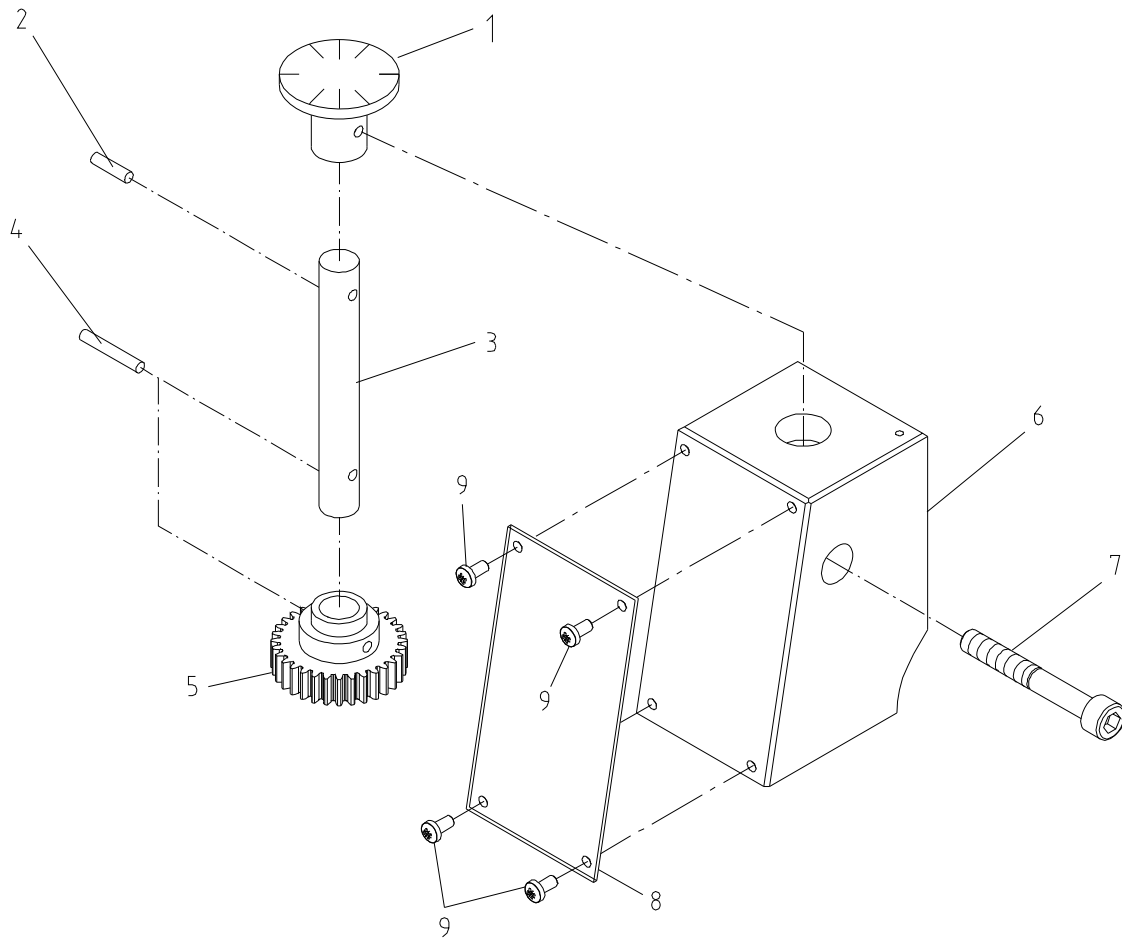
2.15.1 Follow Rest – Exploded View



2.15.2 Follow Rest – Parts List

Index No.	Part No.	Description	Size	Qty
1	GH1440W-09-02	Knob		2
2	TS-1523011	Set Screw	M6x6	2
3	10B-04	Bushing		2
4	10B-05	Screw		2
5	10B-02	Sleeve		2
6	10B-06	Brass Finger		1
7	TS-1540041	Hex Nut	M6	2
8	TS-1523011	Set Screw	M6x6	2
9	GH1440W-09-01	Body Casting (for 14" model)		1
	GH1340W-09-01	Body Casting (for 13" model)		1
10	TS-1504121	Hex Socket Cap Screw	M8x60	2
	GH1440W-FR-CA	Follow Rest Complete Assembly (for 14")		1
	GH1340W-FR-CA	Follow Rest Complete Assembly (for 13")		1

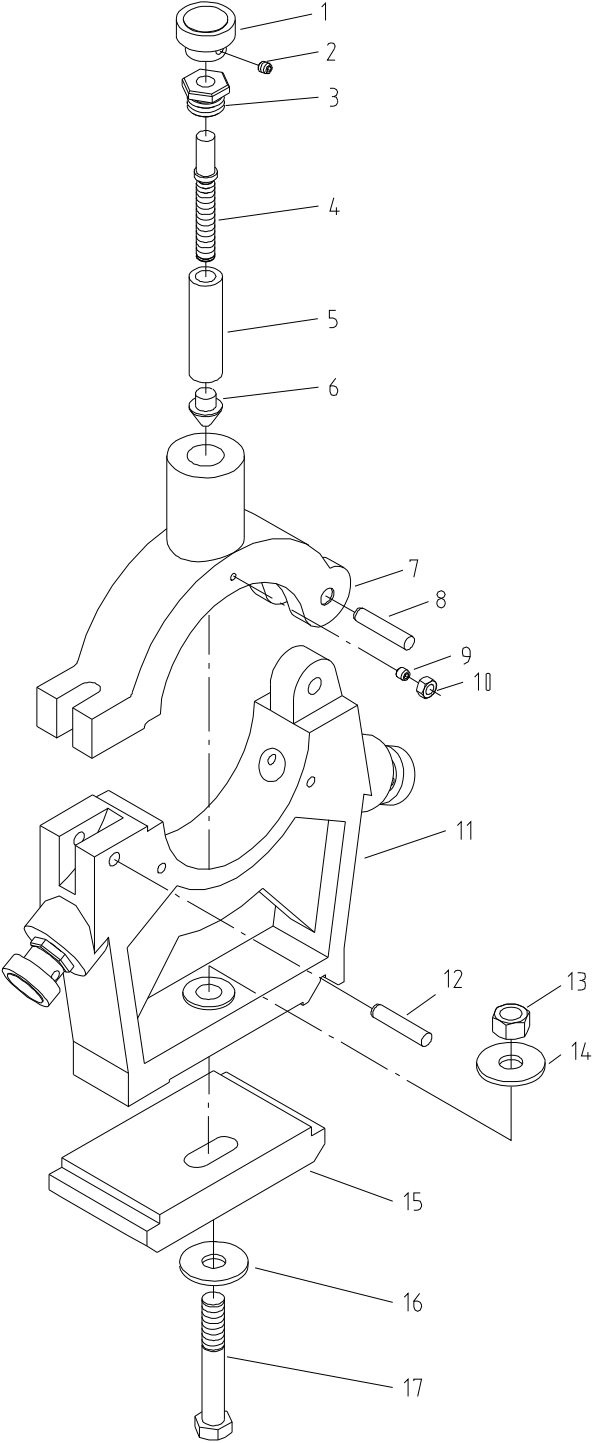
2.16.1 Thread Dial Assembly – Exploded View



2.16.2 Thread Dial Assembly – Parts List

Index No.	Part No.	Description	Size	Qty
1	06-22	Dial		1
2	GB879-3X12	Pin	3x12	1
3	06-23	Shaft		1
4	GB879-3X20	Pin	3x20	1
5	06-25	Gear	32T	1
6	06-24	Body		1
7	TS-1503101	Hex Socket Cap Screw	M6x45	1
8	GHW-06-02	Name Plate		1
9	GHW-TD09	Pan Head Machine Screw	M3x6	4
10	GHW-TD10	Rivet	2x4	1
	GHW-TD-CA	Threading Dial Assembly		1

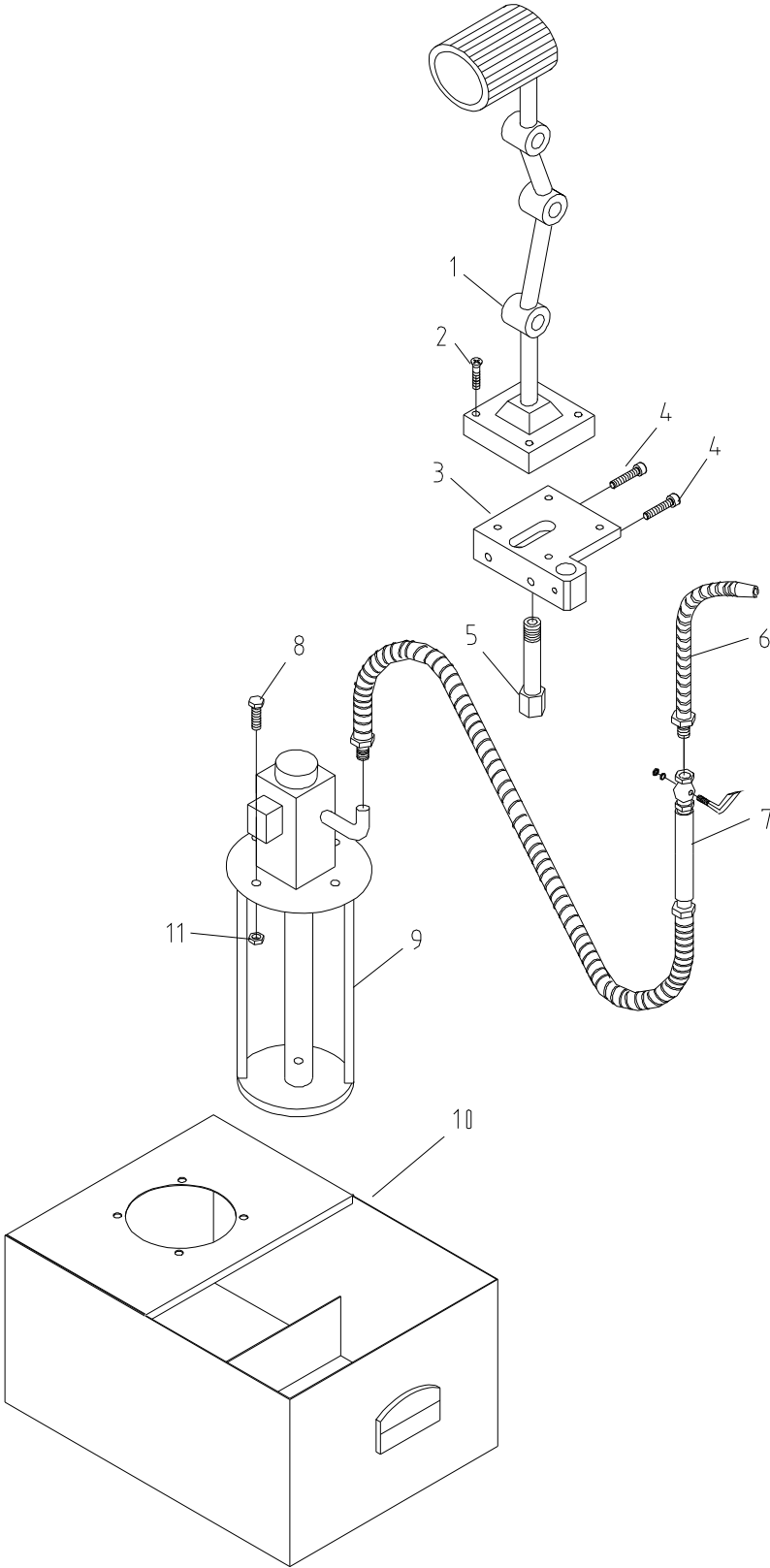
2.17.1 Steady Rest – Exploded View



2.17.2 Steady Rest – Parts List

Index No.	Part No.	Description	Size	Qty
1	GH1440W-09-02	Knob		3
2	TS-1523011	Set Screw	M6x6	3
3	10A-05	Bushing		3
4	10A-06	Screw		3
5	10A-07	Sleeve		3
6	10A-08	Brass Finger		3
7	10A-03	Upper Body Casting		1
8	GB119-8X40	Pin	8x40	1
9	TS-1523061	Set Screw	M6x20	3
10	TS-1540041	Hex Nut	M6	3
11	GH1440W-10-01	Lower Body Casting (for 14")		1
	GH1340W-10-01	Lower Body Casting (for 13")		1
12	10A-02	Lock Pin		1
13	TS-1540081	Hex Nut	M12	1
14	TS-1550081	Flat Washer		1
15	GH1440W-10-02	Clamp Plate		1
16	TS-1550081	Flat Washer	12	1
17	TS-1492081	Hex Cap Bolt	M12x80	1
	GH1440W-SR-CA	Steady Rest Complete Assembly (for 14")		1
	GH1340W-SR-CA	Steady Rest Complete Assembly (for 13")		1

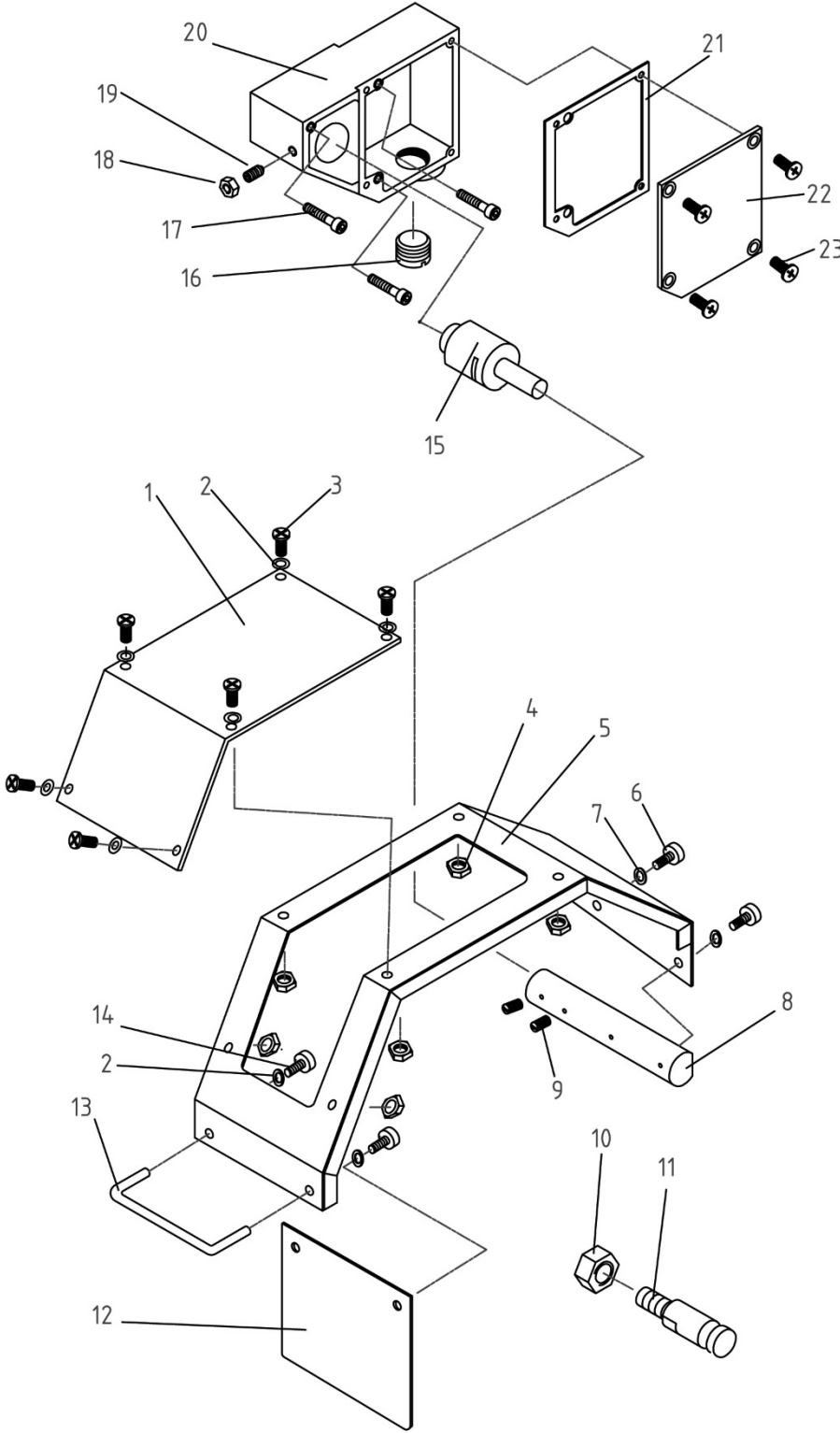
2.18.1 Coolant and Work Light Assembly – Exploded View



2.18.2 Coolant and Work Light Assembly – Parts List

Index No.	Part No.	Description	Size	Qty
1	JC38	Work Light**		1
2	GHW-CW02	Cross Head Screw**	M6x14	4
3	14-03	Lamp Bracket**		1
4	TS-1503051	Hex Socket Cap Screw**	M6x20	2
5	14-04	Connected Tube**		1
6	GHW-CW06	Coolant Device		1
7	GHW-CW07	Rubber Tube		1
8	GHW-CW08	Hex Cap Bolt	M5x25	4
9	GHW-M2-1	Coolant Pump (1 Phase)	1/8HP	1
9	GHW-M2-3	Coolant Pump (3 Phase)	1/8HP	1
10	14-01	Water Tank		1
11	TS-1540031	Nut	M5	4
**	GHW-WL-CA	Work Light Complete Assembly (includes#1-5)		1

2.19.1 Chuck Guard Assembly – Exploded View



2.19.2 Chuck Guard Assembly – Parts List

Index No.	Part No.	Description	Size	Qty
	GH1440W-CGA	Chuck Guard Assembly (includes #1 thru 23)		1
1	GH1440W-10F-02	Chuck Guard Glass		1
2	TS-1550031	Flat Washer	M5	8
3	TS-1532042	Pan Head Screw	M4x12	6
4	TS-1540021	Hex Nut	M4	6
5	GH1440W-10F-01	Chuck Guard Frame		1
6	TS-1502021	Hex Socket Cap Screw	M5x10	2
7	TS-2361051	Lock Washer	M5	2
8	GH1440W-10F-04	Shaft Sleeve		1
9	GB77-M8x8	Hex Socket Flat End Set Screw	M8x8	2
10	TS-1540081	Hex Nut	M12	1
11	GH1440W-10F-06	Stop Pin		1
12	GH1440W-10F-11	Extension Plate		1
13	GH1440W-10F-07	Handle		1
14	TS-1530332	Pan Head Machine Screw	M5x10	2
15	GH1440W-10F-06	Cam Shaft		1
16	GH1440W-10F-12	Plug		1
17	TS-1502101	Hex Socket Cap Screw	M5x45	3
18	TS-1540041	Hex Nut	M6	1
19	TS-1523051	Set Screw	M6x16	1
20	GH1440W-10F-05	Chuck Guard Base		1
21	GH1440W-10F-13	Gasket		1
22	GH1440W-10F-08	Cover		1
23	GB819-M5x10	Flat Head Machine Screw	M5x10	4

* Chuck Guard Assembly introduced from serial number 1312W3209W