



BOSCH

Biscuit Joiner

GFF 22 A | 0 601 620 070

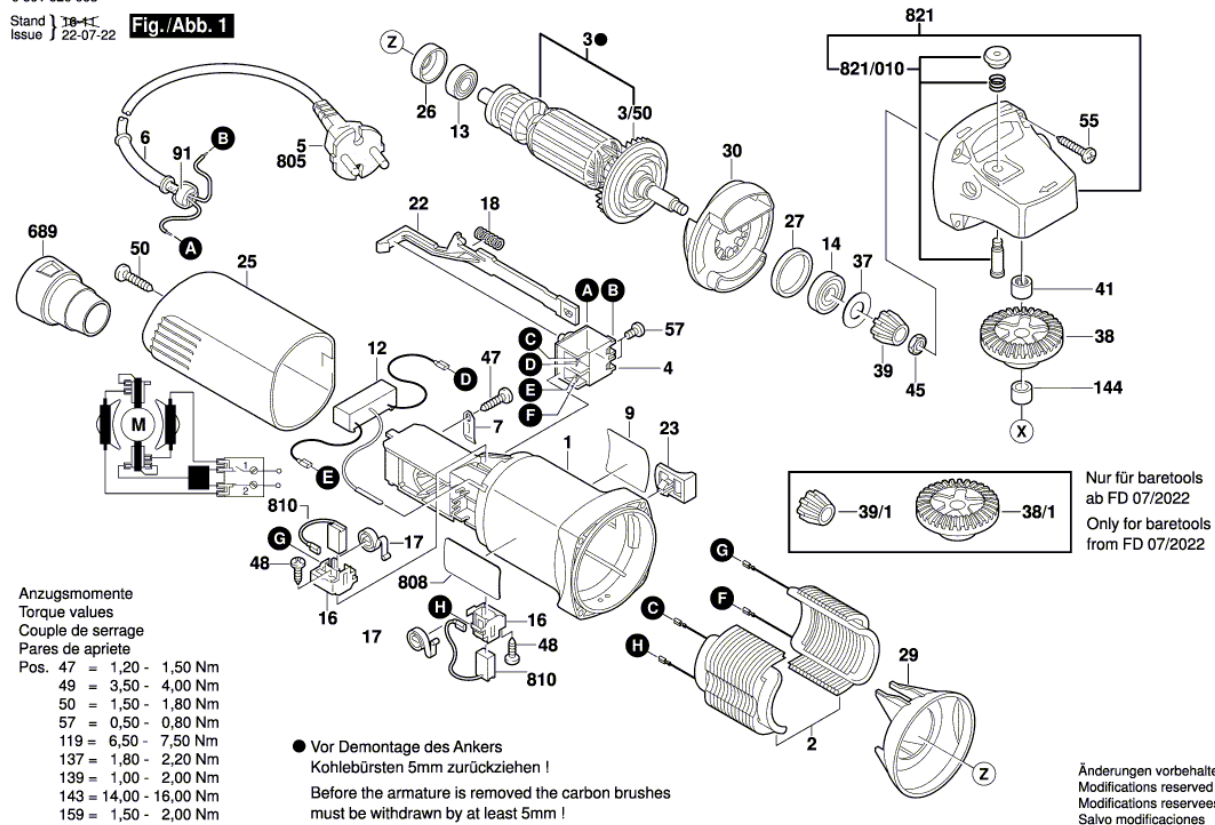
Table of Content

Spare parts list.....	2
Illustration - Type.....	6

Illustration - Type - E

0 601 620 003
 Stand | 18-11
 Issue | 22-07-22

Fig./Abb. 1



- Anzugsmomente
 Torque values
 Couple de serrage
 Pares de apriete
- Pos. 47 = 1,20 - 1,50 Nm
 - 49 = 3,50 - 4,00 Nm
 - 50 = 1,50 - 1,80 Nm
 - 57 = 0,50 - 0,80 Nm
 - 119 = 6,50 - 7,50 Nm
 - 137 = 1,80 - 2,20 Nm
 - 139 = 1,00 - 2,00 Nm
 - 143 = 14,00 - 16,00 Nm
 - 159 = 1,50 - 2,00 Nm

Illustration - Type - E

0 601 620 003
 Stand | 18-02
 Issue | 22-05-25

Fig./Abb. 2

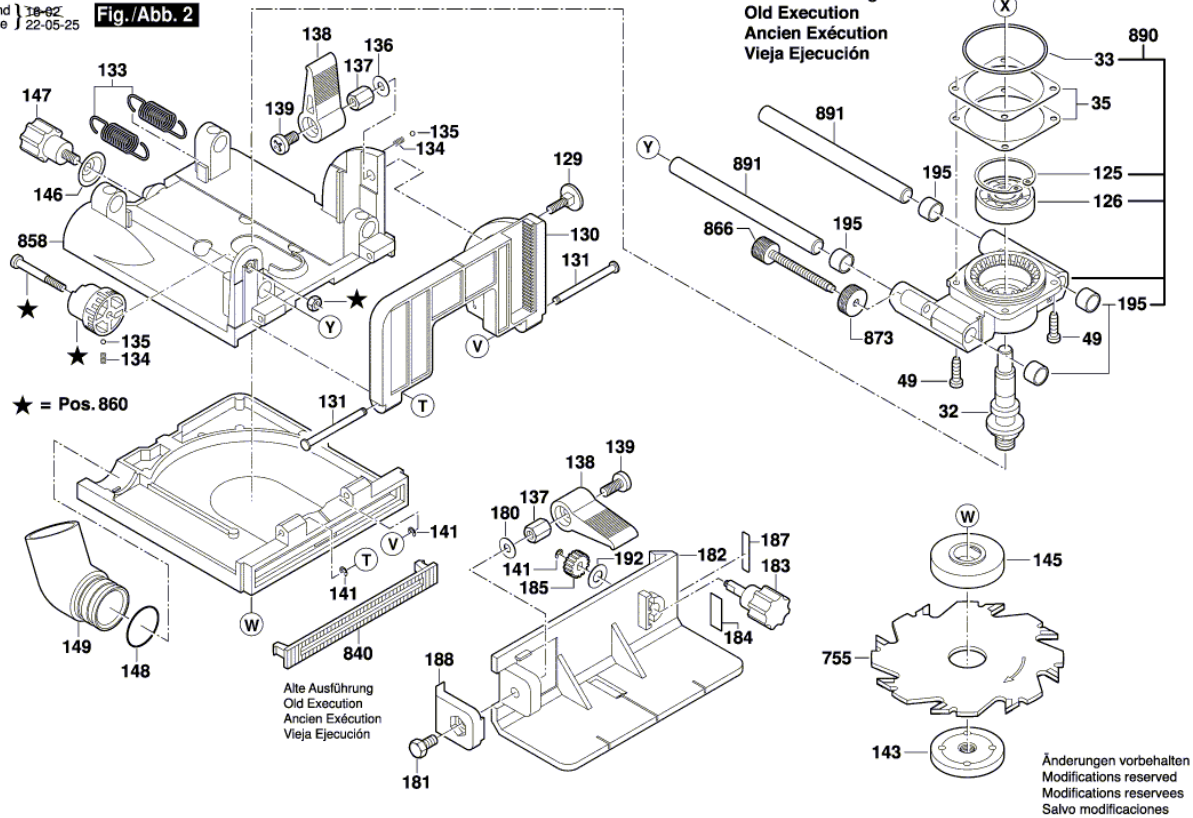


Illustration - Type - E

0 601 620 003

Stand } 16-02-12 Fig./Abb. 3
Issue }

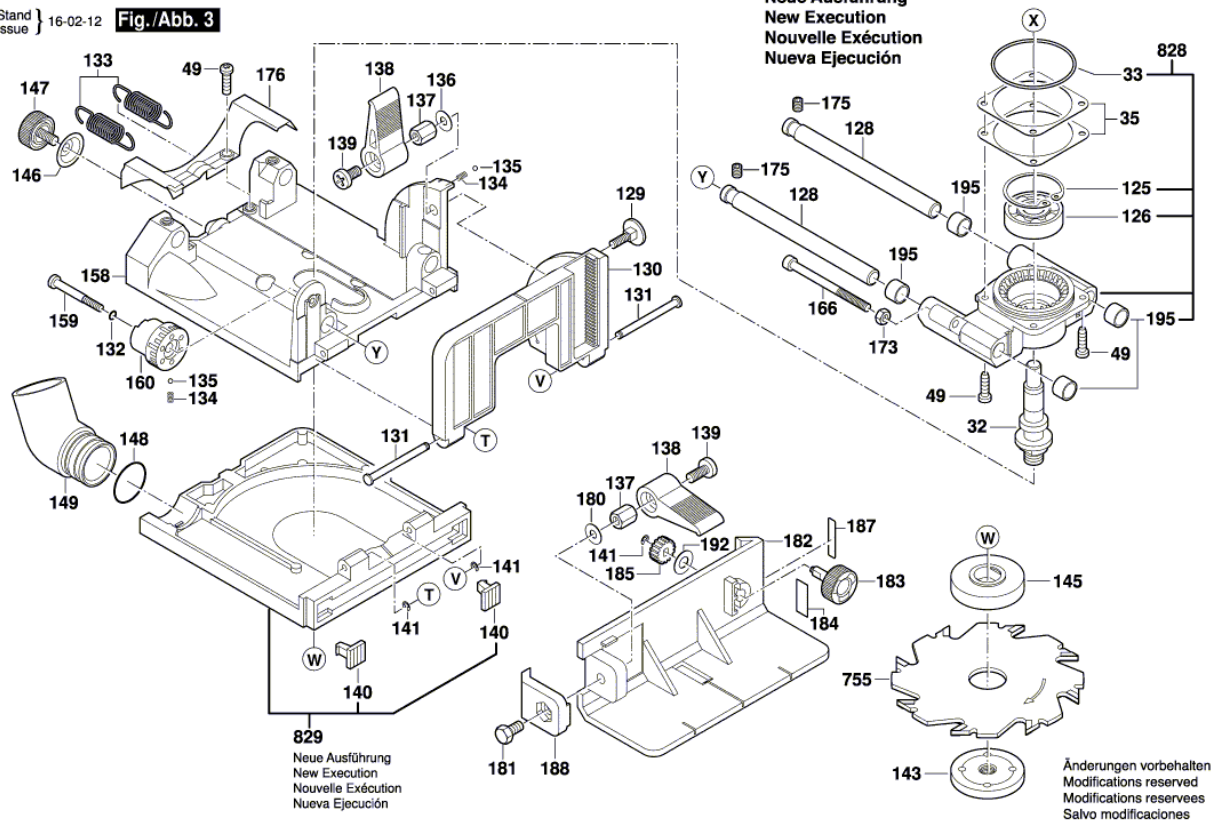


Illustration - Type - E

