



BOSCH

Impact Wrench

GDX 18V-200 | 3 601 JJ2 280

Table of Content

Spare parts list.....	2
Illustration - Type.....	3

Impact Wrench | GDX 18V-200 | 3 601 JJ2 280

Spare parts list

Item	Part Number	Description
1	1 605 806 5Y4	Housing
2	1 619 P15 347	Stator
3	1 619 P14 405	Rotor
4	1 607 233 5LH	Electronics Module
4/4	1 607 503 839	Printed Circuit Board
5	1 600 A01 N9M	Changeover Lever
6	2 607 202 501	Switch
9	1 601 11C 32F	Manufacturer's nameplate
45	1 600 A01 PG4	Gear Box
45/61	0 618 800 045	Retaining ring
45/64	1 600 A00 NR9	Holding Jacket
45/65	1 604 601 032	Retaining ring
45/66	1 604 601 031	Retaining ring
45/68	0 618 800 047	Compression Spring
45/70	1 600 A00 2NE	Grease Tube 45 ml
46	1 609 280 477	Compression Spring
47	1 600 A00 0LE	Lens
49	1 600 A00 J37	Cover
58	2 609 100 301	Strap
70	1 600 A01 1DL	Protective Cap
71	1 604 601 037	Retaining ring
100	2 609 111 584	Clip
101	2 609 110 201	Torx Flat-Head Screw 3x16
102	0 618 800 04W	Torx Flat-Head Screw
103	2 609 110 835	Nut
105	2 609 110 834	Screw
658	2 609 199 748	Bit holder
804	1 609 280 820	Contact retainer 18V
808	1 601 11A 7SN	Nameplate
862	1 600 A01 NOV	Sleeve assembly
91	1 607 A35 0M0	Battery Pack GBA 18V 4.0Ah
653	2 607 226 267	Fast Charger CN GAL 18V-40

Illustration - Type - E

3 601 JJ2 200
Issue |
Stand | 20-11-06

Fig./Abb. 1

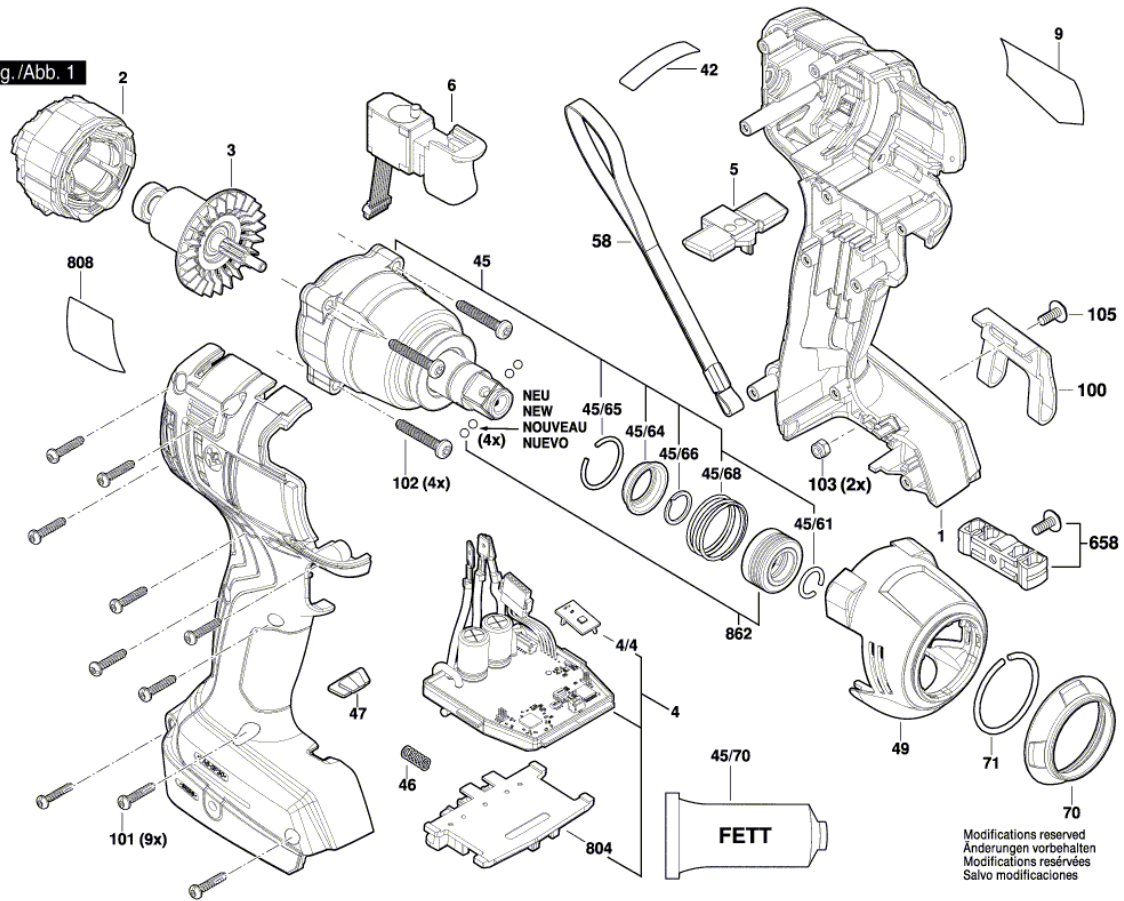
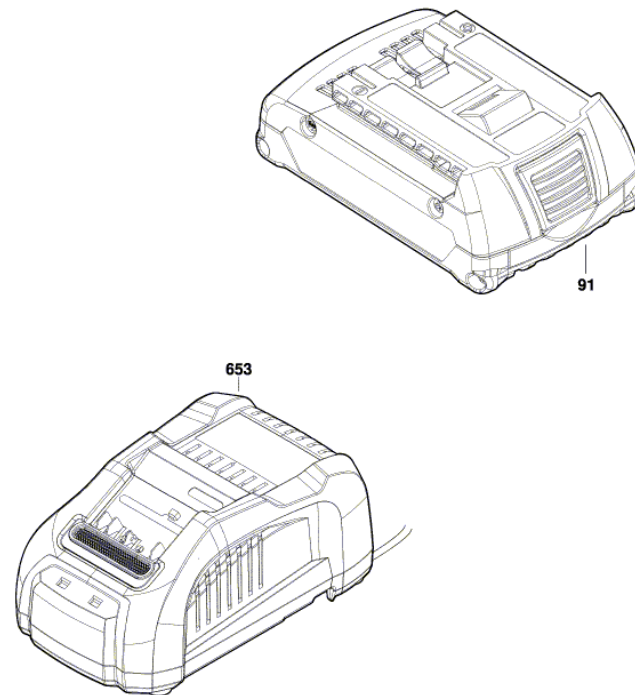


Illustration - Type - E

3 601 JJ2 200
Issue |
Stand | 19-10-24 Fig./Abb. 2



Modifications reserved
Änderungen vorbehalten
Modifications réservées
Salvo modificaciones