



BOSCH

Impact Wrench

GDX18V-1800 | 3 601 JJ2 210

Table of Content

Spare parts list.....	2
Illustration - Type.....	4

Impact Wrench | GDX18V-1800 | 3 601 JJ2 210

Spare parts list

Item	Part Number	Description	Illustration
1	1 605 806 5Y4	Housing	1
2	1 619 P15 347	Stator	1
3	1 619 P14 405	Rotor	1
4	1 607 233 5LH	Electronics Module	1
4/4	1 607 503 839	Printed Circuit Board	1
5	1 600 A01 N9M	Changeover Lever	1
6	2 607 202 501	Switch	1
9	1 601 11C 32G	Manufacturer's nameplate	1
42	1 601 11C 37H	Sticker	1
45	1 600 A01 PG3	Gear Box	1
45/61	0 618 800 045	Retaining ring	1
45/64	1 600 A00 NR9	Holding Jacket	1
45/65	1 604 601 032	Retaining ring	1
45/66	1 604 601 031	Retaining ring	1
45/68	0 618 800 047	Compression Spring	1
45/70	1 600 A00 2NE	Grease Tube 45 ml	1
46	1 609 280 477	Compression Spring	1
47	1 600 A00 0LE	Lens	1
49	1 600 A00 J37	Cover	1
58	2 609 100 301	Strap	1
70	1 600 A01 1DL	Protective Cap	1
71	1 604 601 037	Retaining ring	1
100	2 609 111 584	Clip	1
101	2 609 110 201	Torx Flat-Head Screw 3x16	1
102	0 618 800 04W	Torx Flat-Head Screw	1
103	2 609 110 835	Nut	1
105	2 609 110 834	Screw	1
181	1 600 A01 4J4	Warning Label	1
658	2 609 199 748	Bit holder	1
804	1 609 280 820	Contact retainer 18V	1
808	1 601 11A 70D	Nameplate	1
862	1 600 A01 N0V	Sleeve assembly	1
91	1 607 A35 0BM	Battery Pack BAT612 18V 2.0Ah Li SCM	2
653	2 607 226 257	Fast Charger USA GAL 18V-40 120V/ 4A/ 10.8-18V	2

Spare parts list

Item	Part Number	Description	Illustration
653	2 607 226 287	Charger US GAL 18V-20 120V / 2A	2

Illustration - Type - E

3 601 JJ2 210
Issue |
Stand | 20-11-06

Fig./Abb. 1

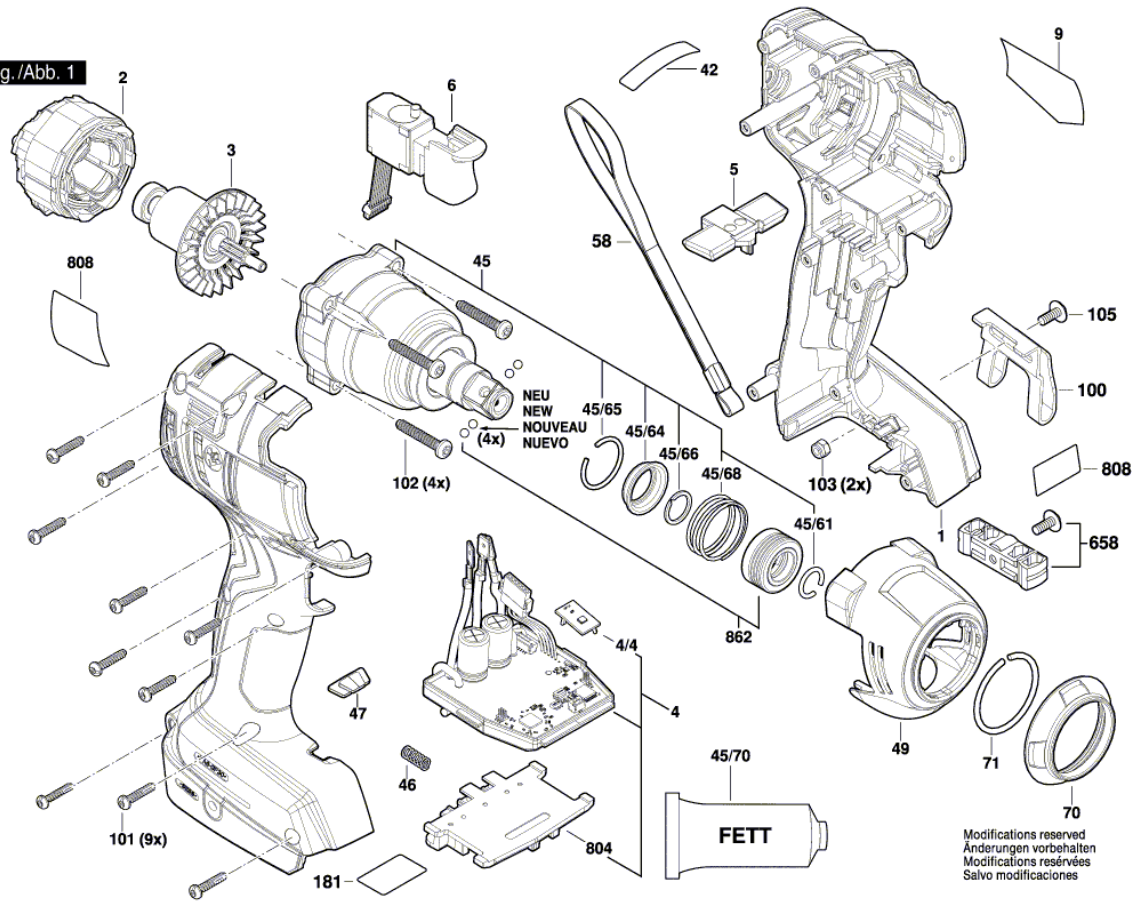
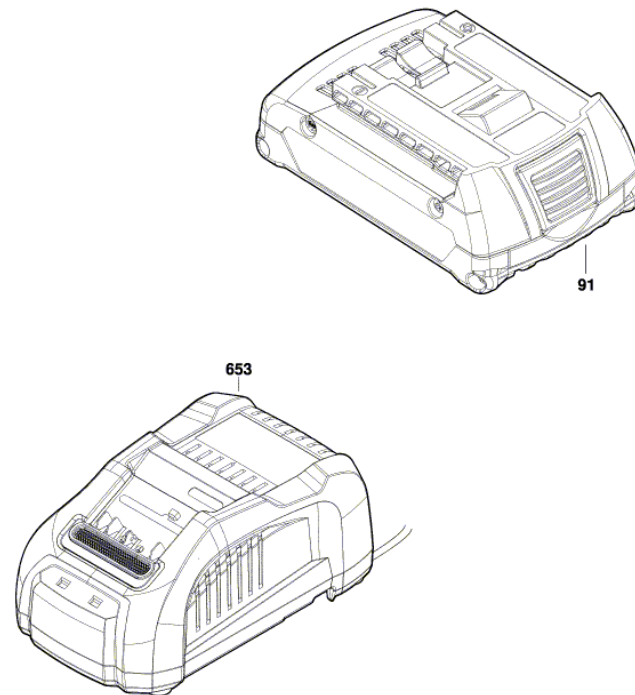


Illustration - Type - E

3 601 JJ2 210
Issue |
Stand | 19-10-24 Fig./Abb. 2



Modifications reserved
Änderungen vorbehalten
Modifications réservées
Salvo modificaciones