

## Impact Wrench - 3 601 JG5 210 - GDX18V-1600

www.powertools-aftersaleservice.com

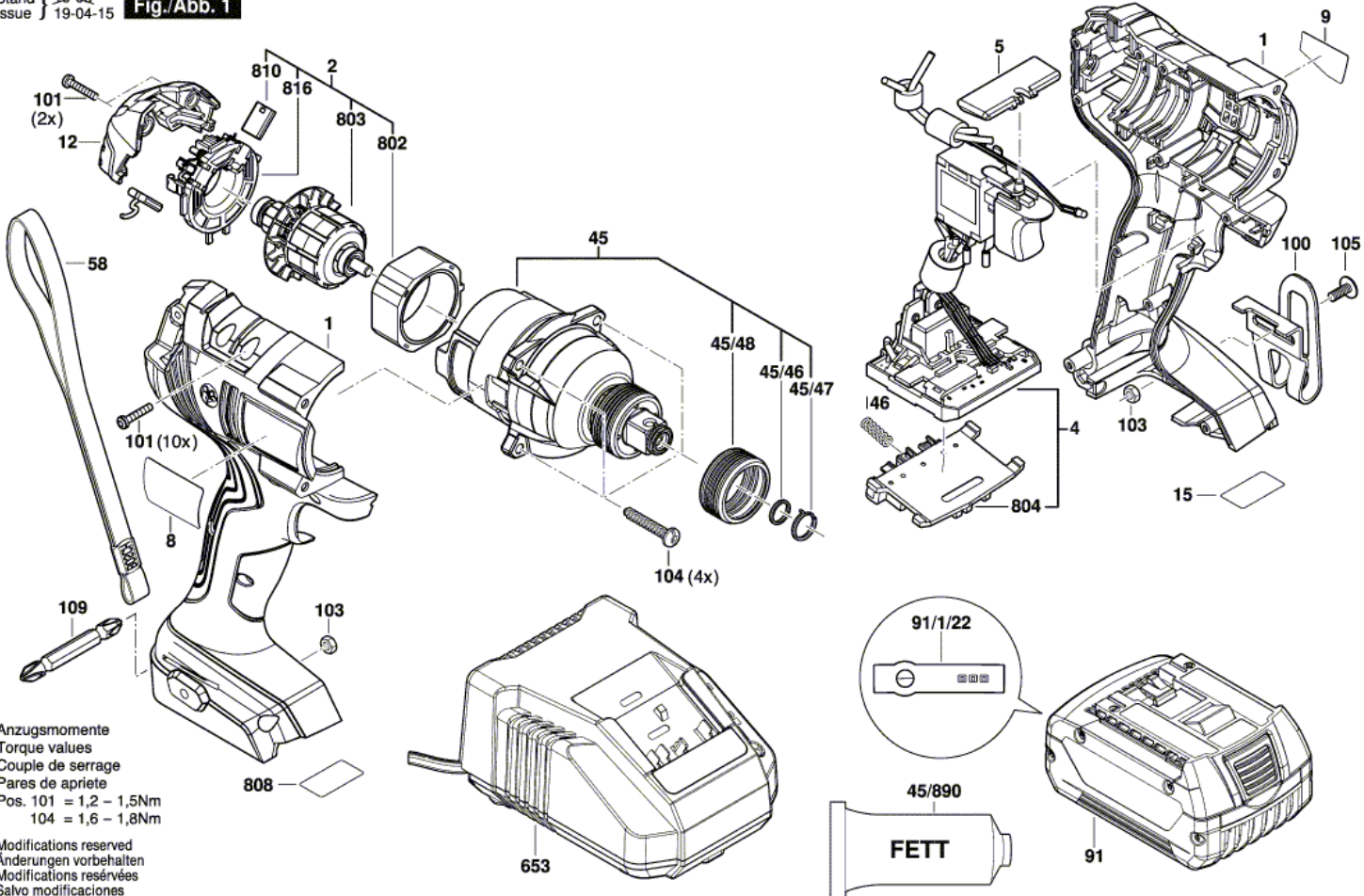


**BOSCH**

Item	Part Number	Description	Illustration	Price	Quantity	Price Group
1	2 609 101 686	Housing	1	-,-	1	28
2	1 607 022 67M	DC motor	1	-,-	1	41
4	1 600 A01 31F	Electronics Module	1	-,-	1	40
5	2 609 100 698	Button	1	-,-	1	12
8	1 600 A01 4AW	Warning Label	1	-,-	1	13
9	1 601 11C 295	Manufacturer's nameplate	1	-,-	1	13
12	2 609 101 783	Cover	1	-,-	1	12
15	2 609 134 175	Reference Plate	1	-,-	1	13
45	1 600 A00 N61	Gear Box	1	-,-	1	43
45/46	2 609 170 157	Rubber Ring	1	-,-	1	10
45/47	2 609 111 262	Metal Ring	1	-,-	1	11
45/48	2 609 170 185	Sleeve	1	-,-	1	14
45/890	1 600 A00 2NE	Grease Tube 45 ml	1	-,-	1	32
46	1 609 280 477	Compression Spring	1	-,-	1	11
58	2 609 100 301	Strap	1	-,-	1	13
91	2 607 336 819	Battery Pack USA BAT620 18V 4,0Ah	1	-,-	1	51
91	1 607 A35 0BM	Battery Pack BAT612 18V 2.0Ah Li SCM	1	-,-	1	42
91/1/22	2 601 115 537	Sticker	1	-,-	1	13
100	2 609 111 584	Clip	1	-,-	1	15
101	2 609 110 201	Torx Flat-Head Screw 3x16	1	-,-	12	10
103	2 609 110 835	Nut	1	-,-	2	11
104	2 603 490 023	Torx Oval-Head Screw 4x20	1	-,-	4	10
105	2 609 110 834	Screw	1	-,-	1	11
109	2 609 110 343	Screwdriver Blade	1	-,-	1	13
653	2 607 225 429	Fast Charger USA 120/10,8-18V, 1h	1	-,-	1	41
653	2 607 225 927	Charger USA BC 1880 CV 13,3-18V/120V	1	-,-	1	47
802	1 600 A00 3V5	Stator	1	-,-	1	30
803	1 600 A01 5UW	Rotor	1	-,-	1	34
804	1 609 280 478	Contact retainer	1	-,-	1	26
808	1 601 11A 5G0	Nameplate	1	-,-	1	13
810	1 607 014 18R	Carbon-Brush Set	1	-,-	1	21
816	1 600 A01 1KB	Brush Holder	1	-,-	1	26

3 601 JG5 210  
 Stand } 19-04  
 Issue } 19-04-15

**Fig./Abb. 1**



Anzugsmomente  
 Torque values  
 Couple de serrage  
 Pares de apriete  
 Pos. 101 = 1,2 - 1,5Nm  
 104 = 1,6 - 1,8Nm

Modifications reserved  
 Änderungen vorbehalten  
 Modifications réservées  
 Salvo modificaciones

Information subject to change without further notice.