



BOSCH

Impact Wrench

GDS 18 V-LI | 3 601 JA1 S80

Table of Content

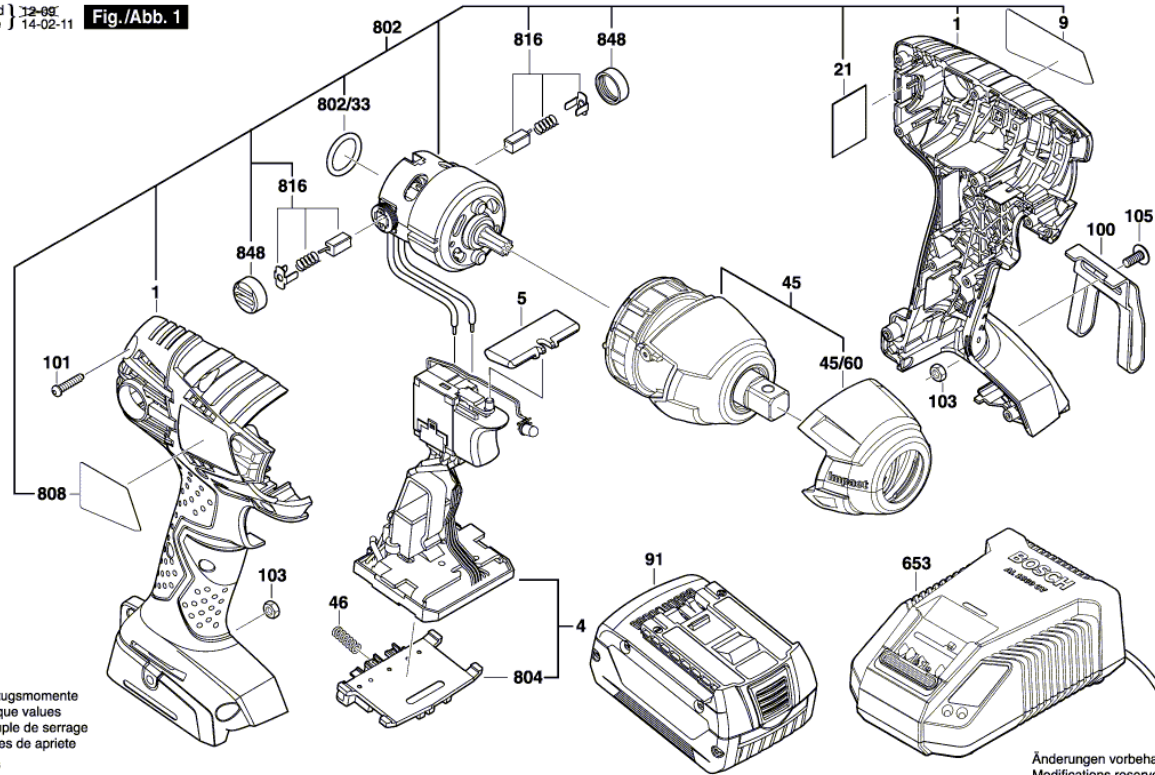
Spare parts list.....	2
Illustration - Type.....	3

		Spare parts list	
Item	Part Number	Description	
1	2 609 101 136	Housing	
4	1 607 233 480	Electronics Module	
5	2 609 100 698	Button	
9	2 609 132 050	Manufacturer's nameplate	GDS 18V-LI
21	2 609 111 485	Wire Mesh	
45	2 609 199 696	Gear Box	
45/60	2 609 170 128	Cap	
46	1 609 280 477	Compression Spring	
91	1 607 A35 0B2	Battery Pack	18V 3.0Ah Li SCM
91	1 607 A35 0M0	Battery Pack	GBA 18V 4.0Ah
100	2 609 110 833	Clip	
101	2 609 110 201	Torx Flat-Head Screw	3x16
103	2 609 110 835	Nut	
105	2 609 110 834	Screw	
653	2 607 225 937	Charger	CN GAL 1880 CV 220V/14,4-18V
802	2 609 199 313	DC motor	
802/33	2 609 170 104	O-Ring	
804	1 609 280 478	Contact retainer	
808	2 609 132 203	Nameplate	
816	2 609 199 169	Carbon-Brush Set	
848	2 609 199 190	Brush-Cover	

Illustration - Type - E

3 601 JA1 S00
 Stand } 12-08
 Issue } 14-02-11

Fig./Abb. 1



Anzugsmomente
 Torque values
 Couple de serrage
 Pares de apriete
 Pos

101 = 0,50 - 1,00
 105 = 1,70 - 2,00

Änderungen vorbehalten
 Modifications reserved
 Modifications réservées
 Salvo modificaciones