



BOSCH

Impact Wrench

GDS18V-330C | 3 601 JK4 010

Table of Content

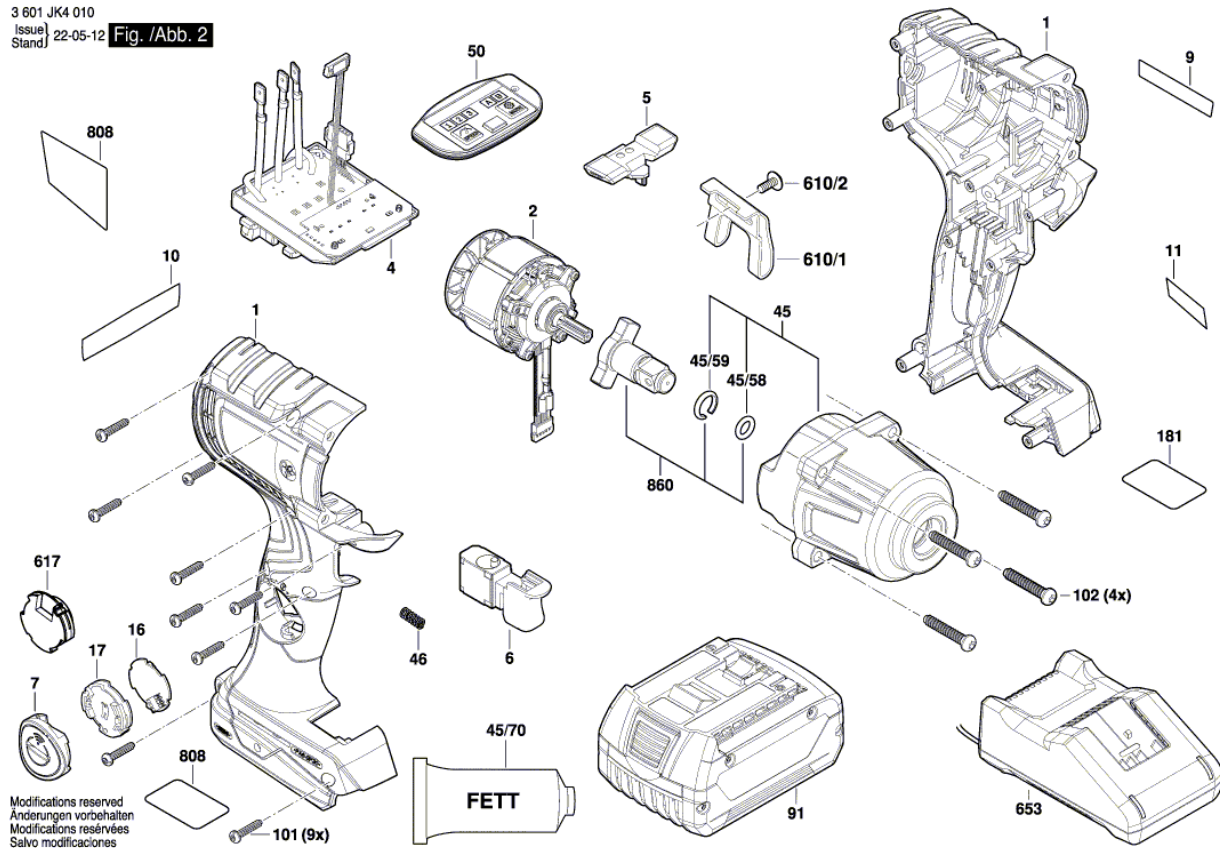
Spare parts list.....	2
Illustration - Type.....	3

Spare parts list

Item	Part Number	Description	Illustration
1	1 605 806 652	Housing	1
2	1 607 022 698	DC motor	1
4	1 607 233 5N1	Electronics Module	1
5	1 600 A02 2N5	Changeover Lever	1
6	2 607 202 501	Switch	1
7	1 600 A02 0BX	Cover unit	1
9	1 601 11C 4GJ	Manufacturer's nameplate	1
10	1 601 11C 4GE	Sticker	1
11	1 601 11C 4GF	Sticker	1
16	1 600 A01 6CY	Electronics Module	1
17	1 600 A02 KY7	Cover Panel	1
45	1 600 A01 S0E	Gear Box	1
45/58	1 600 210 09U	O-Ring	1
45/59	1 604 601 03V	Retaining ring	1
45/70	1 600 A00 2NE	Grease Tube 45 ml	1
46	1 609 280 477	Compression Spring	1
50	1 600 A01 Z0M	Separator	1
91	2 607 336 819	Battery Pack USA BAT620 18V 4,0Ah	1
101	2 609 110 201	Torx Flat-Head Screw 3x16	1
102	1 603 430 08S	Screw	1
181	1 600 A01 4J4	Warning Label	1
610/1	2 609 111 584	Clip	1
610/2	2 609 110 834	Screw	1
617	1 600 A01 3WF	Electronics Module	1
653	2 607 226 257	Fast Charger USA GAL 18V-40 120V/ 4A/ 10.8-18V	1
808	1 601 11A 94G	Nameplate	1
860	1 600 A02 AJ5	Coupling Half	1

Illustration - Type - E

3 601 JK4 010
 Issue | 22-05-12 | Fig. /Abb. 2



Modifications reserved
 Änderungen vorbehalten
 Modifications réservées
 Salvo modificaciones