



BOSCH

Impact Wrench

GDS18V-221 | 3 601 JD8 210

Table of Content

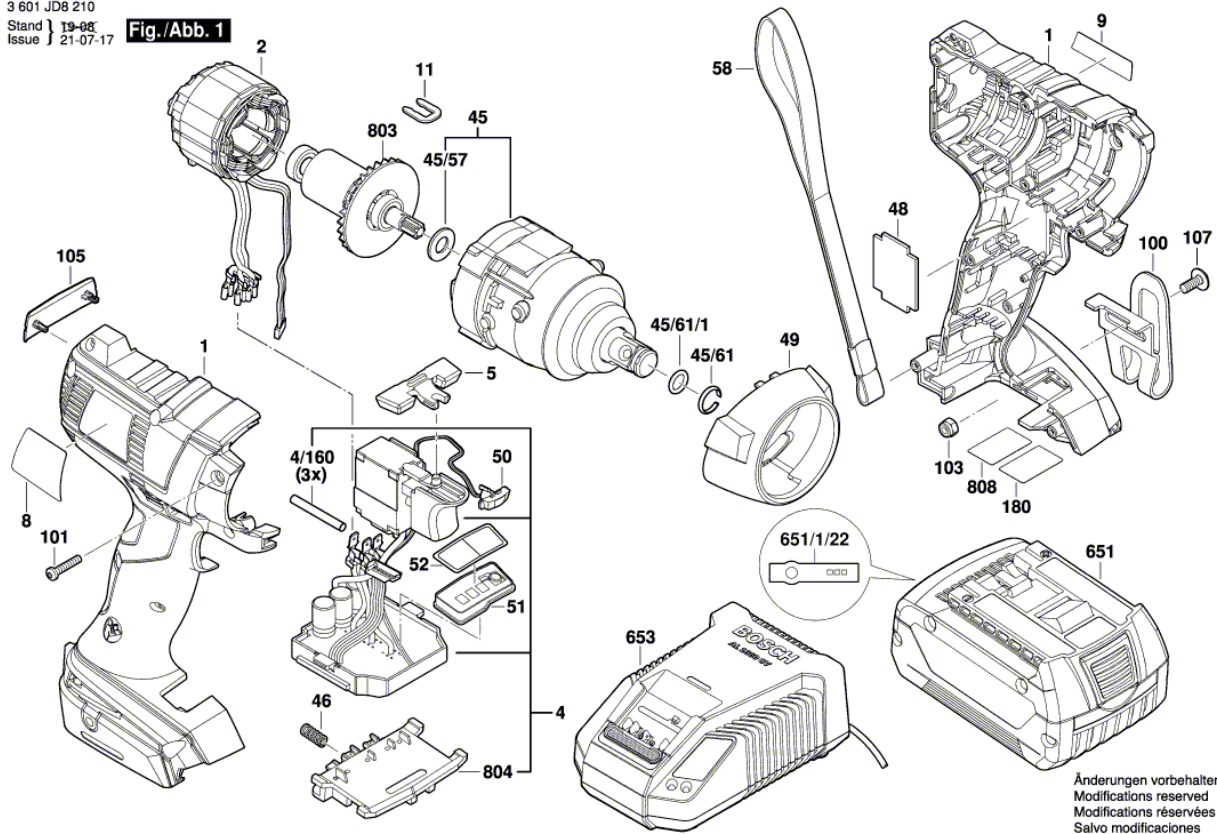
Spare parts list.....	2
Illustration - Type.....	3

Spare parts list				
Item	Part Number	Description		Illustration
1	2 609 101 672	Housing		1
2	1 619 P08 594	Stator		1
4	1 600 A00 F9U	Electronics Module		1
4/160	1 619 P15 186	Shrinkable Tube		1
5	2 609 101 067	Adjusting lever		1
8	1 601 11C 39U	Label		1
9	1 601 11C 39T	Manufacturer's nameplate	GDS18V-221	1
11	2 609 110 838	Clip		1
45	2 609 199 585	Gear Box		1
45/57	2 609 170 204	Seal Ring		1
45/61	2 609 112 053	Clip Fastener		1
45/61/1	2 609 170 273	Rubber Ring		1
46	1 609 280 477	Compression Spring		1
48	2 609 136 324	Protection		1
49	2 609 170 222	Protective Ring		1
50	2 609 101 083	Lens		1
51	2 609 101 687	Button		1
52	2 609 136 589	Label		1
58	2 609 100 301	Strap		1
100	2 609 111 584	Clip		1
101	2 609 110 201	Torx Flat-Head Screw	3x16	1
103	2 609 110 835	Nut		1
105	2 609 101 393	Color clip		1
107	2 609 110 834	Screw		1
180	1 601 11C 39V	Label		1
651	1 607 A35 0AP	Battery Pack ProCore SCM	USA GBA18V40 18V 4.0Ah	1
651/1/22	2 601 115 537	Sticker		1
653	2 607 226 257	Fast Charger 10.8-18V	USA GAL 18V-40 120V/ 4A/	1
803	2 609 199 757	Rotor	18V	1
804	1 609 280 478	Contact retainer		1
808	1 601 11A 74M	Nameplate		1

Illustration - Type - E

3 601 JD8 210
 Stand | 19-06
 Issue | 21-07-17

Fig./Abb. 1



Anderungen vorbehalten
 Modifications reserved
 Modifications réservées
 Salvo modificaciones