



BOSCH

Impact Wrench

GDR 18 V-LI | 3 601 JA1 381

Table of Content

Spare parts list.....	2
Illustration - Type.....	3

Spare parts list

Item	Part Number	Description
1	2 609 101 136	Housing
4	1 607 233 480	Electronics Module
5	2 609 100 698	Button
9	2 609 132 048	Manufacturer's nameplate GDR 18V-LI
21	2 609 111 485	Wire Mesh
45	2 609 199 693	Gear Box
45/60	2 609 170 128	Cap
46	1 609 280 477	Compression Spring
91	1 607 A35 0M0	Battery Pack GBA 18V 4.0Ah
100	2 609 110 833	Clip
101	2 609 110 201	Torx Flat-Head Screw 3x16
103	2 609 110 835	Nut
105	2 609 110 834	Screw
109	2 609 110 342	Screwdriver Blade
653	2 607 225 937	Charger CN GAL 1880 CV 220V/14,4-18V
653	2 607 226 281	Fast Charger EU GAL 18V-20 220V-240V 12V-18V 2A
802	2 609 199 276	DC motor 18V
802/33	2 609 170 104	O-Ring
804	1 609 280 478	Contact retainer
808	2 609 132 571	Nameplate
816	2 609 199 169	Carbon-Brush Set
848	2 609 199 190	Brush-Cover
849	2 609 199 223	Bit holder

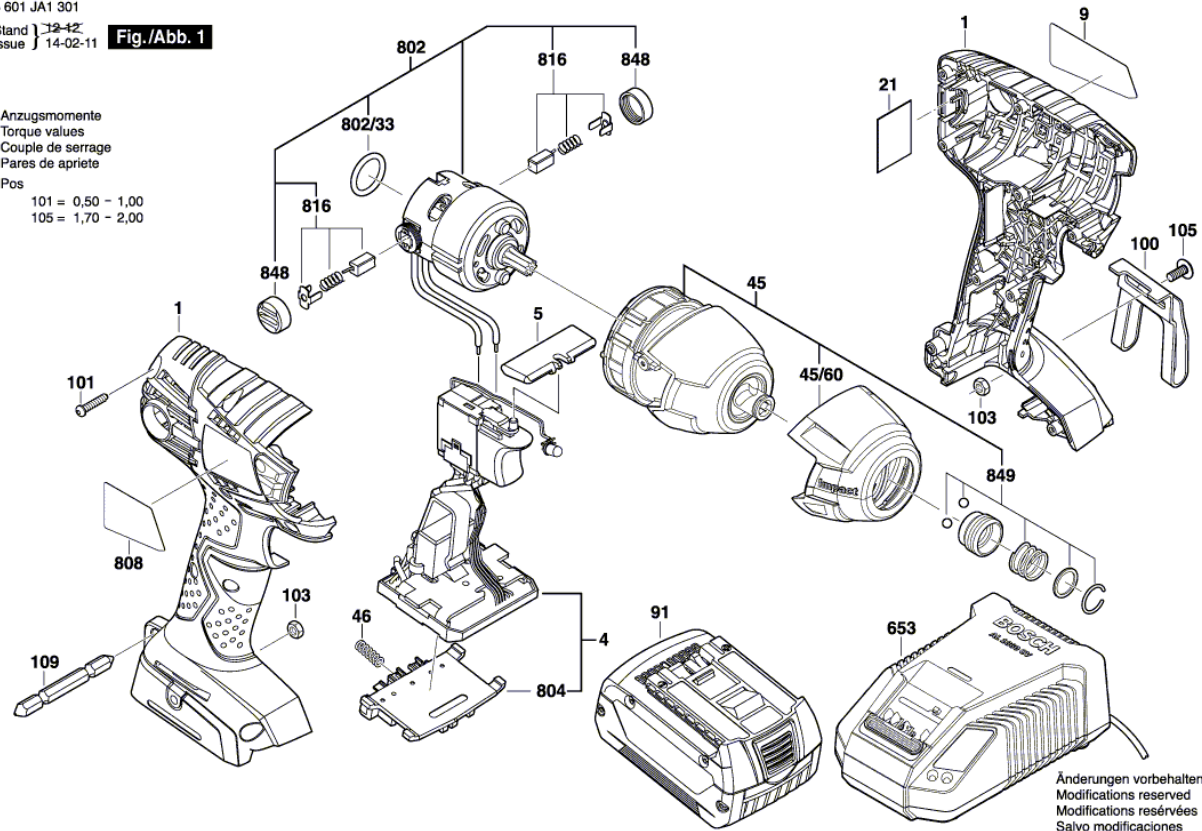
Illustration - Type - E

3 601 JA1 301
 Stand } 12-12
 Issue } 14-02-11

Fig./Abb. 1

Anzugsmomente
 Torque values
 Couple de serrage
 Pares de apriete

Pos
 101 = 0,50 - 1,00
 105 = 1,70 - 2,00



Änderungen vorbehalten
 Modifications reserved
 Modifications réservées
 Salvo modificaciones