



BOSCH

Impact Wrench

GDR 18 V-EC | 3 601 JB9 380

Table of Content

Spare parts list.....	2
Illustration - Type.....	4

Impact Wrench | GDR 18 V-EC | 3 601 JB9 380

Spare parts list

Item	Part Number	Description
1	2 609 101 066	Housing
4	1 607 233 470	Electronics Module
5	2 609 101 067	Adjusting lever
6	2 609 101 068	Button
7	2 609 133 596	Label
10	2 609 199 465	Electronics Module
11	2 609 110 838	Clip
12	2 609 111 415	Cover
13	2 609 170 193	Protector
45	2 609 199 395	Gear Box
46	1 609 280 477	Compression Spring
48	2 609 101 069	Lens
49	2 609 101 070	Lens
50	2 609 101 083	Lens
91	1 607 A35 0M0	Battery Pack GBA 18V 4.0Ah
91/1/22	2 601 115 537	Sticker
100	2 609 111 584	Clip
101	2 609 110 201	Torx Flat-Head Screw 3x16
103	2 609 110 835	Nut
104	2 609 111 446	Pan head screw
105	2 609 111 447	Pan head screw
106	2 609 170 196	Protector
107	2 609 110 834	Screw
109	2 609 110 342	Screwdriver Blade
653	2 607 225 937	Charger CN GAL 1880 CV 220V/14,4-18V
802	2 609 199 548	DC motor 480W
804	1 609 280 478	Contact retainer
858	2 609 100 301	Strap
45/10	2 609 110 808	Pin
45/1	2 609 199 628	Housing Assembly
45/11	2 609 111 289	Planet Gear
45/12	2 609 110 810	Ring Gear
45/2	2 609 100 984	Flange Housing
45/30	2 609 110 811	Washer
45/3	2 609 170 156	O-Ring

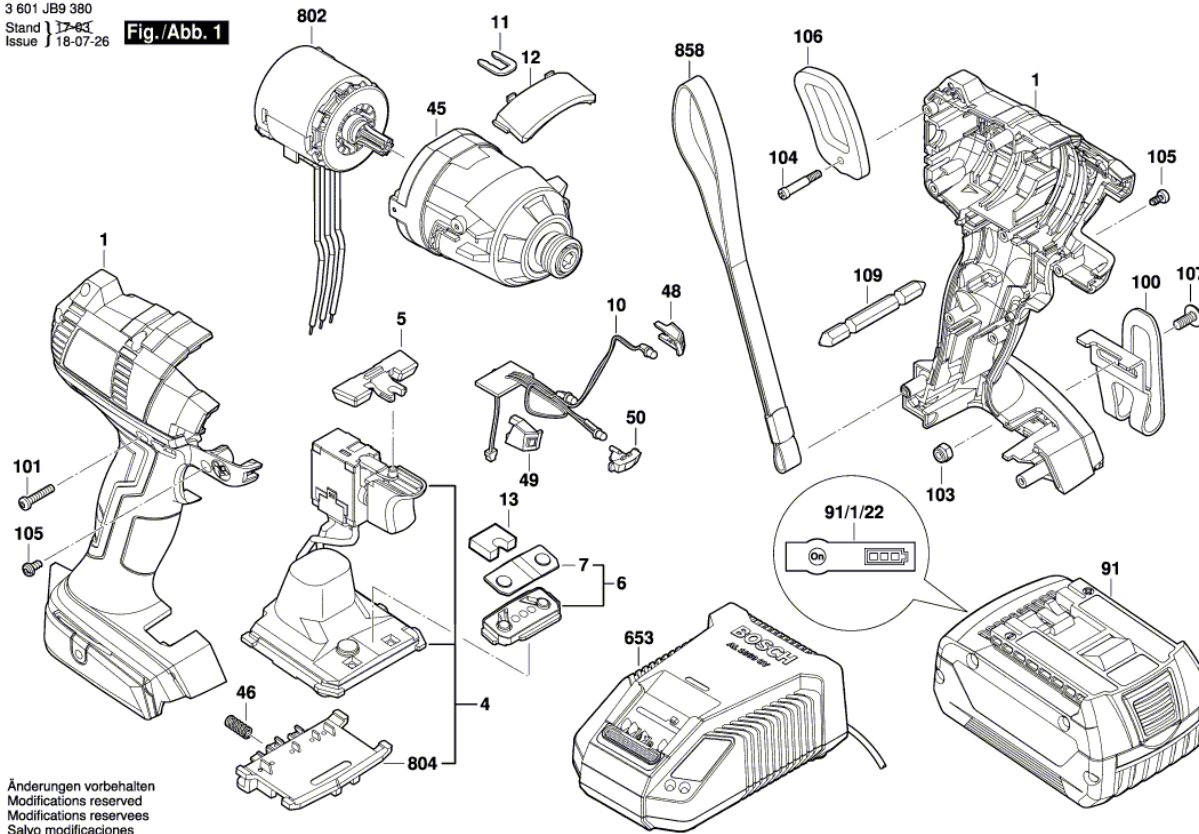
Spare parts list

Item	Part Number	Description
45/31	2 609 110 812	Washer
45/4	2 609 111 258	Pin
45/45	2 609 111 473	Coupling Half
45/5	2 609 110 807	Ball Bearing
45/50	2 609 110 818	Ball
45/51	2 609 111 577	Striker
45/53	2 609 110 820	Washer
45/54	2 609 170 096	Rubber Ring
45/55	2 609 110 821	Washer
45/56	2 609 111 594	Spring
45/57	2 609 110 823	Jack Shaft
45/849	2 609 199 223	Bit holder
45/852	2 609 111 905	Ball
45/890	1 600 A00 2NE	Grease Tube 45 ml

Illustration - Type - E

3 601 JB9 380
 Stand } 17-83
 Issue } 18-07-26

Fig./Abb. 1

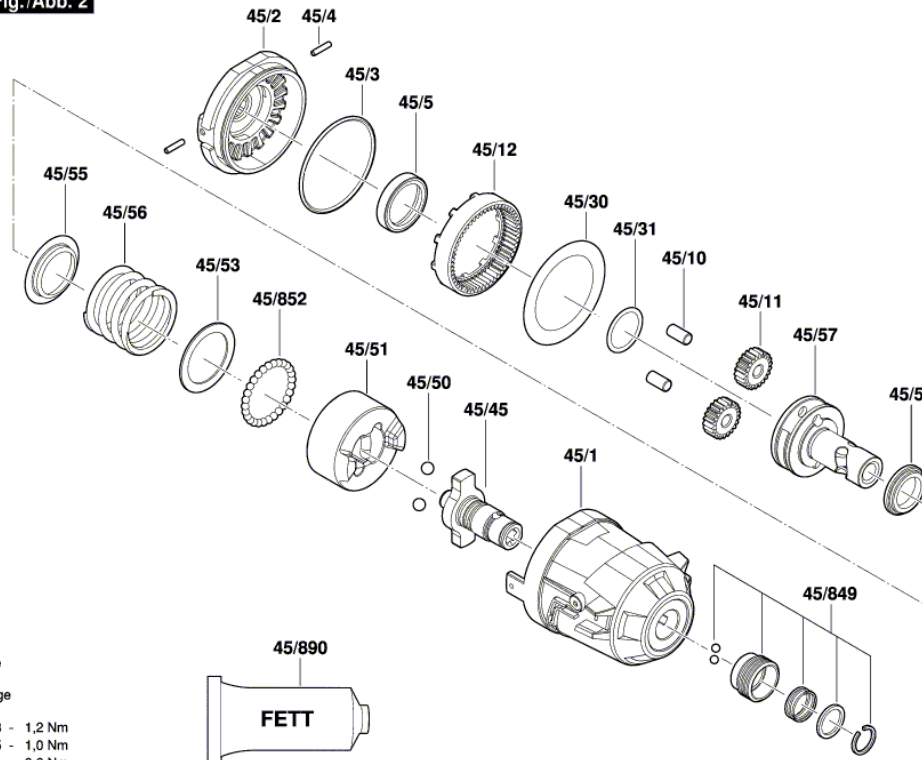


Änderungen vorbehalten
 Modifications reserved
 Modifications reserves
 Salvo modificaciones

Illustration - Type - E

3 601 JB9 380
 Stand }
 Issue } 13-11-06

Fig./Abb. 2



Anzugsmomente
 Torque values
 Couple de serrage
 Pares de apriete
 Pos 101 = 0,8 - 1,2 Nm
 104 = 0,5 - 1,0 Nm
 105 = 0,4 - 0,6 Nm
 107 = 1,7 - 2,0 Nm

Änderungen vorbehalten
 Modifications reserved
 Modifications reserves
 Salvo modificaciones