



BOSCH

Impact Wrench

GDR 180-Li | 3 601 JG5 1L0

Table of Content

| | |
|--------------------------|---|
| Spare parts list..... | 2 |
| Illustration - Type..... | 4 |

Spare parts list

| Item | Part Number | Description |
|-------------|--------------------|---|
| 1 | 2 609 101 686 | Housing |
| 2 | 1 607 022 67M | DC motor |
| 4 | 1 600 A01 31F | Electronics Module |
| 5 | 2 609 100 698 | Button |
| 9 | 1 601 11C 292 | Manufacturer's nameplate |
| 12 | 2 609 101 783 | Cover |
| 45 | 2 609 199 999 | Gear Box |
| 45/890 | 1 600 A00 2NE | Grease Tube 45 ml |
| 46 | 1 609 280 477 | Compression Spring |
| 58 | 2 609 100 301 | Strap |
| 91 | 1 607 A35 0MA | Battery Pack GBA 18V 2.0Ah |
| 91 | 2 607 336 803 | Slide-In Accu Package 18V, 1,5Ah LI, MS |
| 91/1/22 | 2 601 115 537 | Sticker |
| 100 | 2 609 111 584 | Clip |
| 101 | 2 609 110 201 | Torx Flat-Head Screw 3x16 |
| 103 | 2 609 110 835 | Nut |
| 104 | 2 603 490 023 | Torx Oval-Head Screw 4x20 |
| 105 | 2 609 110 834 | Screw |
| 109 | 2 609 110 342 | Screwdriver Blade |
| 653 | 2 607 226 283 | Fast Charger UK GAL 18V-20 220-240V / 2A / 12-18V |
| 653 | 2 607 226 537 | Fast Charger IND GAL 18V-40 220-240V / 4A |
| 802 | 1 600 A00 3V5 | Stator |
| 803 | 1 600 A01 5UW | Rotor |
| 804 | 1 609 280 478 | Contact retainer |
| 808 | 1 601 11A 5FT | Nameplate |
| 810 | 1 607 014 18R | Carbon-Brush Set |
| 816 | 1 600 A01 1KB | Brush Holder |
| 45/10 | 2 609 110 808 | Pin |
| 45/1 | 2 609 199 998 | Housing Assembly |
| 45/11 | 2 609 111 289 | Planet Gear |
| 45/12 | 2 609 112 141 | Ring Gear |
| 45/2 | 2 609 101 670 | Housing |
| 45/30 | 2 609 110 811 | Washer |
| 45/31 | 2 609 110 812 | Washer |

Spare parts list

| Item | Part Number | Description |
|-------------|--------------------|--------------------|
| 45/40 | 2 609 110 336 | Clip |
| 45/41 | 2 609 110 329 | Retaining ring |
| 45/42 | 2 609 110 330 | Compression Spring |
| 45/43 | 2 609 110 814 | Sleeve |
| 45/44 | 2 609 110 331 | Ball |
| 45/45 | 2 609 112 139 | Coupling Half |
| 45/5 | 2 609 110 807 | Ball Bearing |
| 45/50 | 2 609 110 818 | Ball |
| 45/51 | 2 609 112 142 | Striker |
| 45/53 | 2 609 110 820 | Washer |
| 45/55 | 2 609 110 821 | Washer |
| 45/56 | 2 609 112 143 | Compression Spring |
| 45/57 | 2 609 112 144 | Jack Shaft |
| 45/58 | 1 600 210 07H | O-Ring |

Illustration - Type - E

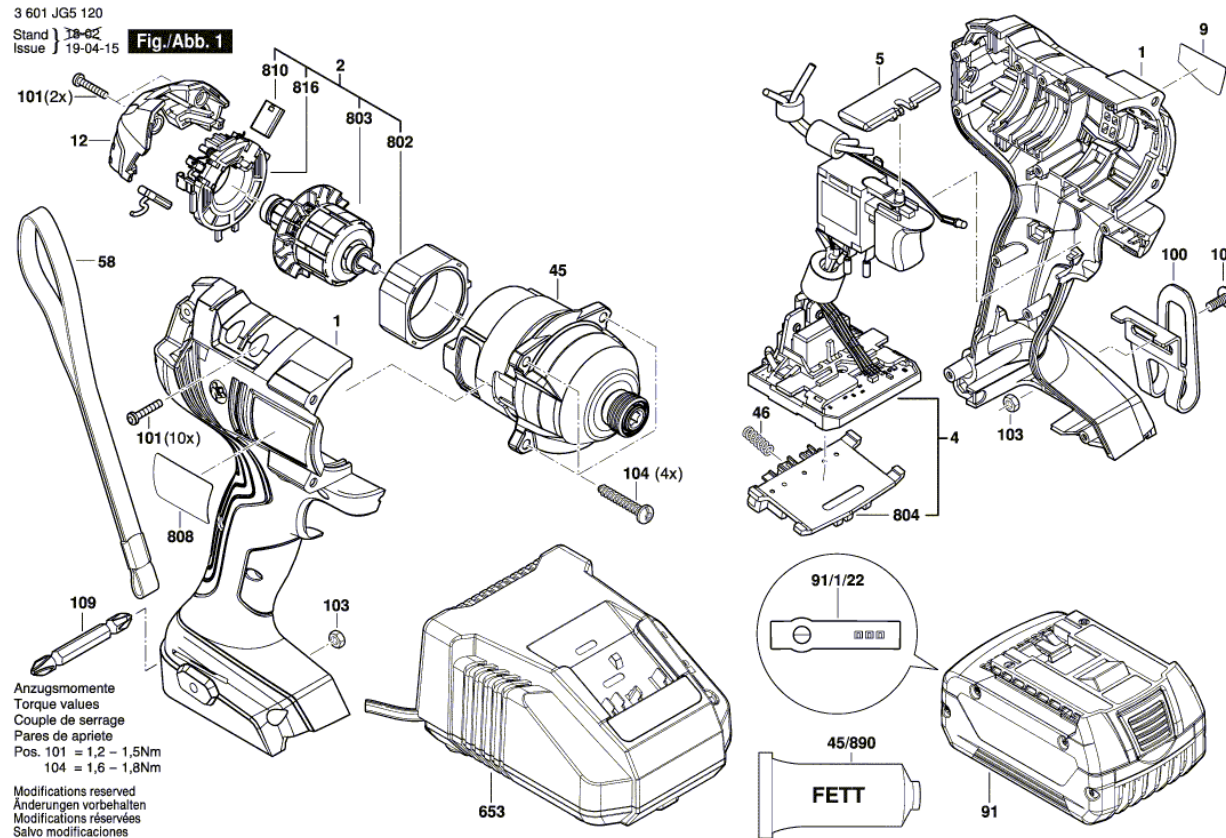
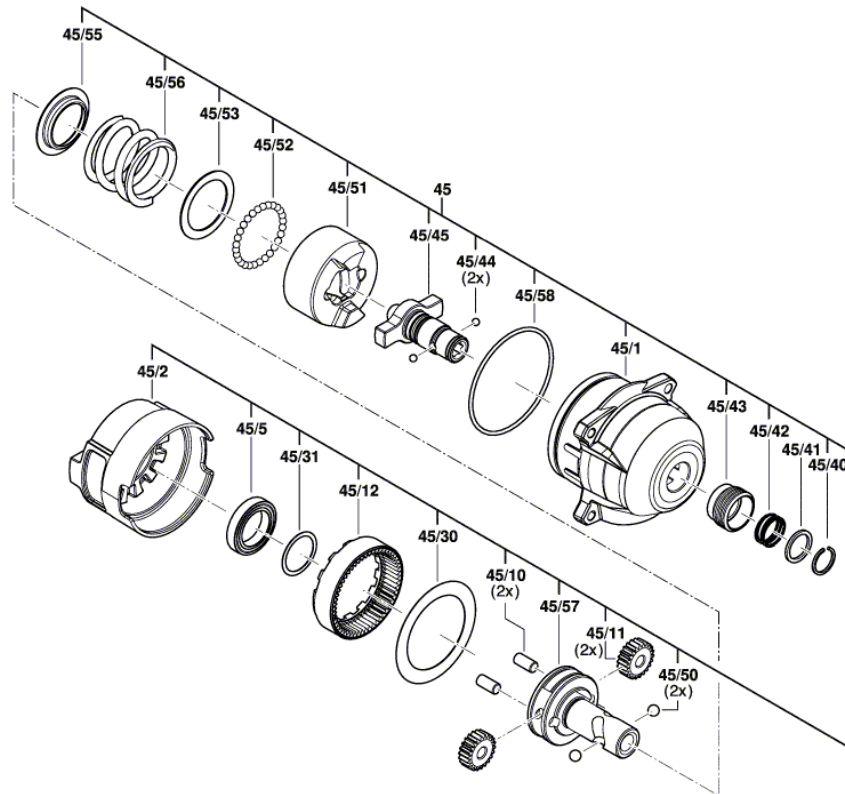


Illustration - Type - E

3 601 JG5 120
Stand }
Issue } 18-03-06 **Fig./Abb. 2**



Modifications reserved
Änderungen vorbehalten
Modifications réservées
Salvo modificaciones