



BOSCH

Impact Wrench

GDR 180-LI | 3 601 JG5 181

Table of Content

Spare parts list.....	2
Illustration - Type.....	4

Impact Wrench | GDR 180-LI | 3 601 JG5 181

Spare parts list

Item	Part Number	Description
1	1 600 A01 E10	Housing
2	1 607 022 67M	DC motor
4	2 607 202 399	Electronic Module
5	2 609 100 698	Button
9	1 601 11C 292	Manufacturer's nameplate
12	2 609 101 783	Cover
45	2 609 199 999	Gear Box
45/890	1 600 A00 2NE	Grease Tube 45 ml
46	1 609 280 477	Compression Spring
58	2 609 100 301	Strap
91	1 607 A35 0JR	Battery Pack GBA 18V 1.5Ah
91/1/22	2 601 115 537	Sticker
100	2 609 111 584	Clip
101	2 609 110 201	Torx Flat-Head Screw 3x16
103	2 609 110 835	Nut
104	2 603 490 023	Torx Oval-Head Screw 4x20
105	2 609 110 834	Screw
109	2 609 110 342	Screwdriver Blade
653	2 607 225 741	Battery Charger CN 230/10,8-18V, 30 MIN
802	1 600 A00 3V5	Stator
803	1 600 A01 5UW	Rotor
804	1 609 280 478	Contact retainer
808	1 601 11A 727	Nameplate
810	1 607 014 18R	Carbon-Brush Set
816	1 600 A01 1KB	Brush Holder
45/10	2 609 110 808	Pin
45/1	2 609 199 998	Housing Assembly
45/11	2 609 111 289	Planet Gear
45/12	2 609 112 141	Ring Gear
45/2	2 609 101 670	Housing
45/30	2 609 110 811	Washer
45/31	2 609 110 812	Washer
45/40	2 609 110 336	Clip
45/41	2 609 110 329	Retaining ring
45/42	2 609 110 330	Compression Spring

Spare parts list

Item	Part Number	Description
45/43	2 609 110 814	Sleeve
45/44	2 609 110 331	Ball
45/45	2 609 112 139	Coupling Half
45/5	2 609 110 807	Ball Bearing
45/50	2 609 110 818	Ball
45/51	2 609 112 142	Striker
45/53	2 609 110 820	Washer
45/55	2 609 110 821	Washer
45/56	2 609 112 143	Compression Spring
45/57	2 609 112 144	Jack Shaft
45/58	1 600 210 07H	O-Ring

Illustration - Type - E

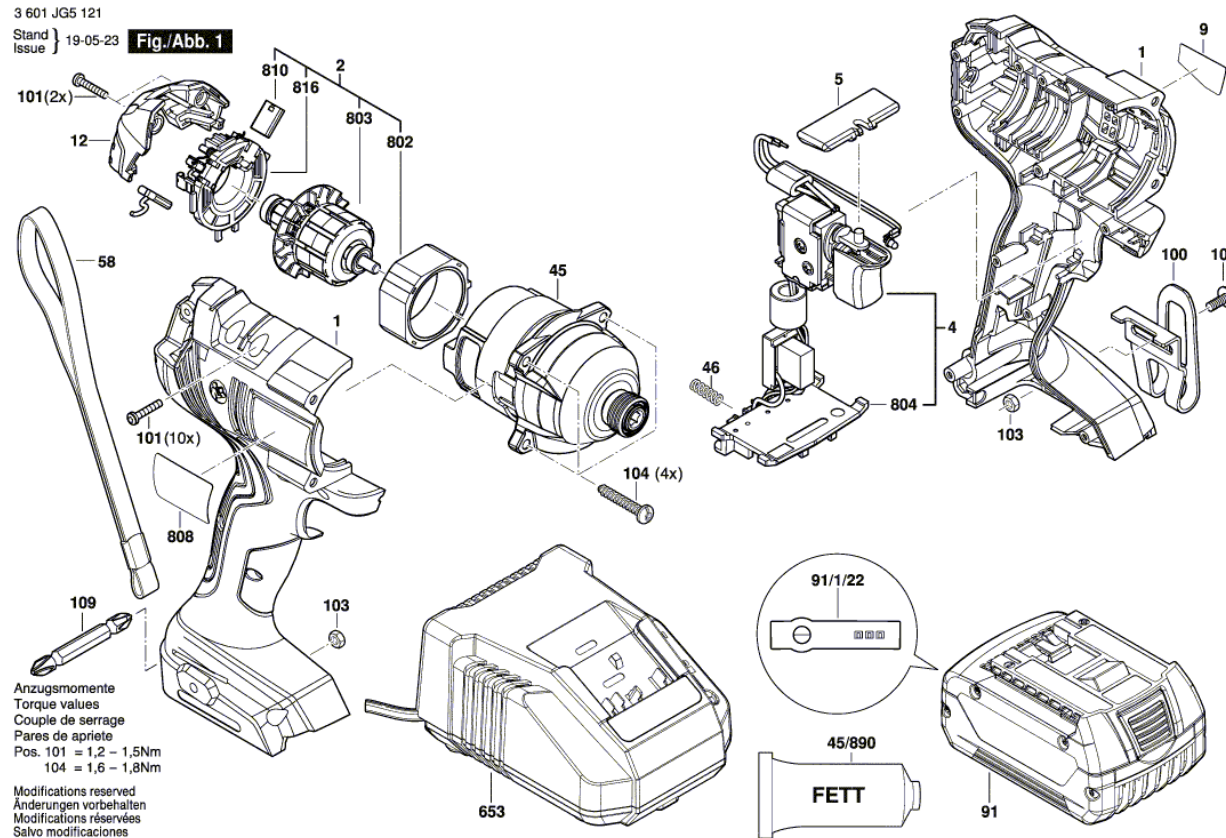
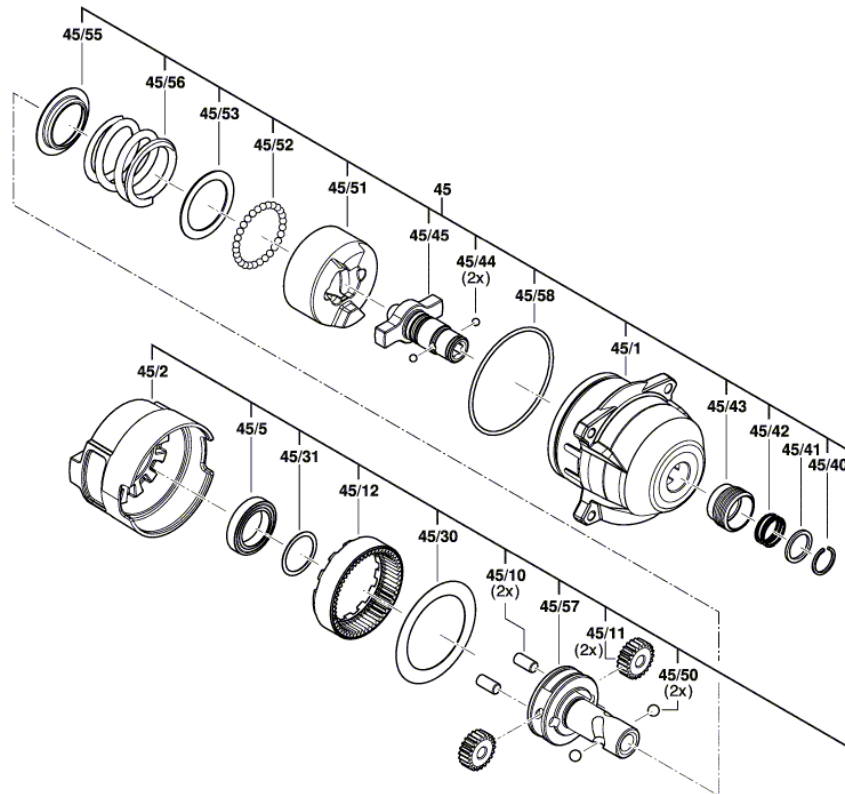


Illustration - Type - E

3 601 JG5 121
Stand } 19-05-23
Issue } **Fig./Abb. 2**



Modifications reserved
Änderungen vorbehalten
Modifications réservées
Salvo modificaciones