

Cordless Percus Screwdriv - 0 601 939 584 - GDR 11...

www.powertools-aftersaleservice.com

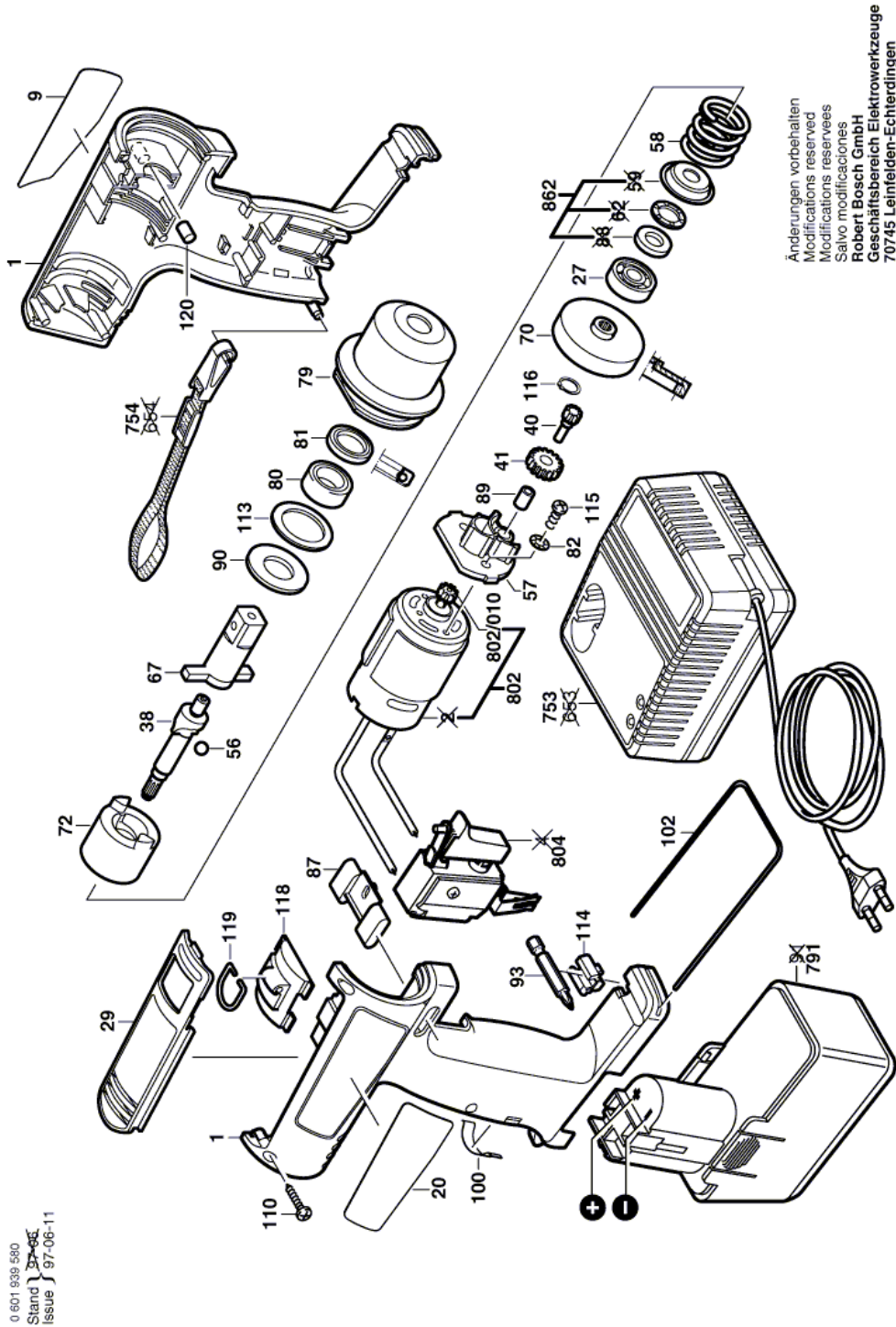


BOSCH

| Item | Part Number | Description | Illustration | Price | Quantity | Price Group |
|------|---------------|--|--------------|-------|----------|-------------|
| 1 | 2 605 104 469 | Housing Section BLUE | 1 | -,- | 1 | 24 |
| 9 | 2 601 118 967 | Manufacturer's nameplate SUNNY SIDE | 1 | -,- | 1 | 15 |
| 20 | 2 601 118 968 | Reference Plate SHADOW SIDE | 1 | -,- | 1 | 15 |
| 27 | 1 900 900 224 | Deep-Groove Ball Bearing 7x22x7 | 1 | -,- | 1 | 19 |
| 29 | 2 605 510 143 | Insert Piece BLACK | 1 | -,- | 1 | 15 |
| 38 | 2 603 000 016 | Jack Shaft | 1 | -,- | 1 | 31 |
| 40 | 2 606 309 045 | Toothed Shaft Z= 10 | 1 | -,- | 1 | 26 |
| 41 | 2 606 319 086 | Cylindrical Gear Z=23 | 1 | -,- | 1 | 16 |
| 56 | 1 903 230 010 | Ball DIN 5401-5,5MM-III-ST | 1 | -,- | 2 | 10 |
| 57 | 2 605 700 240 | Intermediate Flange | 1 | -,- | 1 | 27 |
| 58 | 2 604 610 050 | Compression Spring | 1 | -,- | 1 | 15 |
| 67 | 2 606 445 011 | Coupling Half | 1 | -,- | 1 | 33 |
| 70 | 2 606 319 102 | Ring Gear | 1 | -,- | 1 | 22 |
| 72 | 2 600 322 051 | Striker | 1 | -,- | 1 | 36 |
| 79 | 2 605 806 418 | Gear Housing | 1 | -,- | 1 | 26 |
| 80 | 2 605 801 023 | Plain bearing | 1 | -,- | 1 | 11 |
| 81 | 2 601 015 063 | Radial Seal | 1 | -,- | 1 | 14 |
| 82 | 2 916 070 006 | Serrated Lock-Washer A 4,3 DIN 6798-ST | 1 | -,- | 2 | 10 |
| 87 | 2 601 099 055 | Adjusting Slide RED | 1 | -,- | 1 | 15 |
| 89 | 2 605 801 019 | Plain bearing | 1 | -,- | 1 | 13 |
| 90 | 2 600 100 639 | Plain Washer | 1 | -,- | 1 | 13 |
| 93 | 2 608 521 018 | Screwdriver Blade | 1 | -,- | 1 | 18 |
| 100 | 2 601 322 016 | Clamp Spring | 1 | -,- | 1 | 14 |
| 102 | 2 601 329 041 | Retaining Bracket | 1 | -,- | 1 | 11 |
| 110 | 2 603 490 018 | Torx Oval-Head Screw 3x18 | 1 | -,- | 8 | 10 |
| 113 | 2 600 100 062 | Rubber Disc | 1 | -,- | 1 | 12 |
| 114 | 2 608 040 131 | Support | 1 | -,- | 1 | 12 |
| 115 | 2 912 341 120 | Countersunk-Head Screw DIN 965-M4x10-8.8-Z | 1 | -,- | 2 | - |
| 116 | 2 916 640 003 | Spring retaining ring DIN 471-6x0,7-FSt | 1 | -,- | 1 | 10 |
| 118 | 2 605 510 146 | Holding Fixture | 1 | -,- | 1 | 13 |
| 119 | 2 601 310 009 | Suspension Loop | 1 | -,- | 1 | 15 |
| 120 | 2 603 100 056 | Rubber Buffer | 1 | -,- | 1 | 11 |
| 753 | 2 607 224 708 | Fast Charger USA 120/7,2-14,4V, 30 MIN. | 1 | -,- | 1 | - |

| Item | Part Number | Description | Illustration | Price | Quantity | Price Group |
|---------|---------------|---|--------------|-------|----------|-------------|
| 754 | 2 601 398 009 | Carrying Loop | 1 | -,- | 1 | - |
| 791 | 2 607 335 039 | Slide-In Accu Package 12V, 1,7Ah, NiCd | 1 | -,- | 1 | 48 |
| 795 | 2 608 572 075 | Keyless Chuck Ø 1-10 MM | N/A | -,- | 1 | - |
| 802 | 2 607 022 955 | DC motor 12V | 1 | -,- | 1 | - |
| 802/010 | 2 606 316 147 | Pinion Z=13 | 1 | -,- | 1 | 18 |
| 804 | 2 607 200 353 | On-Off Switch | 1 | -,- | 1 | 39 |
| 862 | 2 600 923 006 | Ball Cage | 1 | -,- | 1 | 17 |
| 899 | 0 601 939 620 | Cordless Percus Screwdriv BATTERY WITHOUT CHARGER | N/A | -,- | 1 | - |

Illustration - Type E



Anderungen vorbehalten
Modifications reserved
Modificaciones reservadas
Salvo modificaciones
Robert Bosch GmbH
Geschäftsbereich Elektrowerkzeuge
70745 Leinfelden-Echterdingen

0 601 939 580
Stand } 37-66
Issue } 97-06-11

Information subject to change without further notice.