



**BOSCH**

# Marble Saw

GDM 12-34 | 3 601 C6A 180

---

## Table of Content

Spare parts list.....	2
Illustration - Type.....	4

Spare parts list

Item	Part Number	Description
2	1 619 P01 021	Field 230-240V
3	1 619 P00 962	Armature set 230-240V
4	1 619 P00 436	Switch
5	1 604 460 256	Power supply cord H05 RN-F CN 2,65m 2 x 1,0mm
6	2 600 703 012	Grommet Ø6,5-Ø6,9x95 MM
7	2 601 035 001	Cable Clip
11	1 619 P00 269	Cover
12	1 619 P00 252	Condenser
17	1 619 P00 263	Wing Screw
18	1 619 P00 276	Screw
19	2 603 435 071	Headless Screw 65 MM
20	1 619 P00 104	Torx Oval-Head Screw
21	1 619 P00 029	Screw
22	1 619 P00 298	Screw
23	1 619 P00 296	Spring Washer
24	1 619 P00 297	Plain Washer
26	1 619 P00 041	Hex Socket Head Cap Screw
27	1 619 P00 824	Wing Screw
28	1 619 P00 259	Cover Grid
30	1 619 P00 751	Handle
31	1 619 P00 753	Cap-Handle
32	1 619 P00 752	Air-Deflector Ring
33	1 619 P01 300	Spindle Assembly
34	1 619 P00 254	Protection cover
35	1 619 P00 255	Protection cover
36	1 619 P00 264	Cylinder Sleeve
37	2 917 761 159	Spring Pin
38	1 619 P00 279	Rubber Bushing
39	1 619 P00 323	connecting terminal
41	1 619 P00 244	Sealing Unit
42	1 619 P00 253	O-Ring
650/25	1 619 P00 278	Hex Screw
801	1 619 P00 813	Housing Set
808	1 619 P00 821	Nameplate

**Spare parts list**

<b>Item</b>	<b>Part Number</b>	<b>Description</b>
810	1 619 P01 033	Carbon-Brush Set
829	1 619 P01 031	Gear Housing
850	1 619 P00 289	groove ball bearing
851	1 619 P00 286	Seal
853	1 619 P00 273	Key
854	1 619 P00 290	groove ball bearing
855	1 619 P00 246	Pinion
856	1 619 P00 294	Retaining ring
860	1 619 P00 285	groove ball bearing
861	1 619 P00 295	Retaining ring
862	1 619 P00 272	Cylindrical Gear
863	1 619 P00 243	Sleeve
864	1 619 P00 280	Retaining ring
865	1 619 P00 287	Washer
866	1 619 P00 352	groove ball bearing
867	1 619 P00 241	Seal Ring
868	1 619 P00 277	Key
869	1 619 P01 040	Spindle
870	1 619 P00 488	Flange
650/1	1 619 P00 238	Shim ring
650/2	1 619 P00 239	Supporting Disc
650/3	1 619 P00 281	Chuck Wrench
650/4	1 619 P00 282	Hexagon Socket Screw Key

Illustration - Type - E

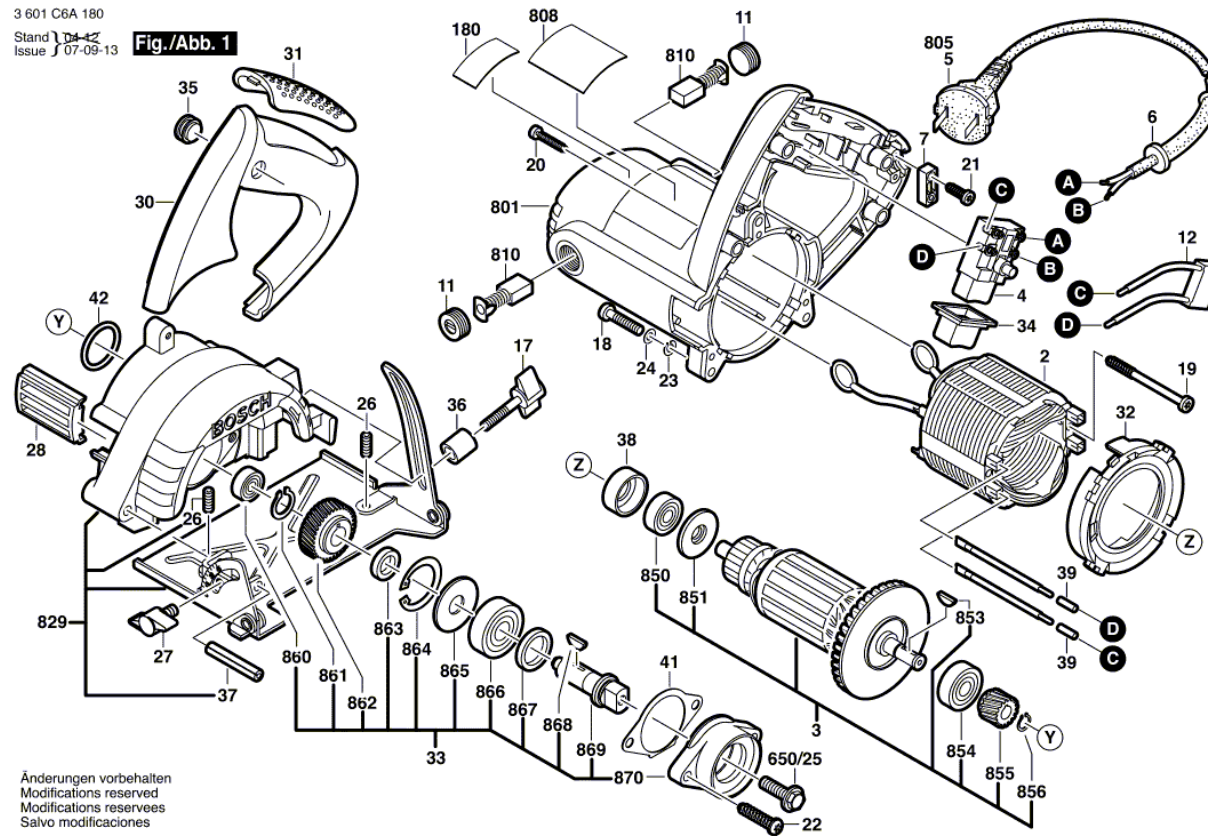
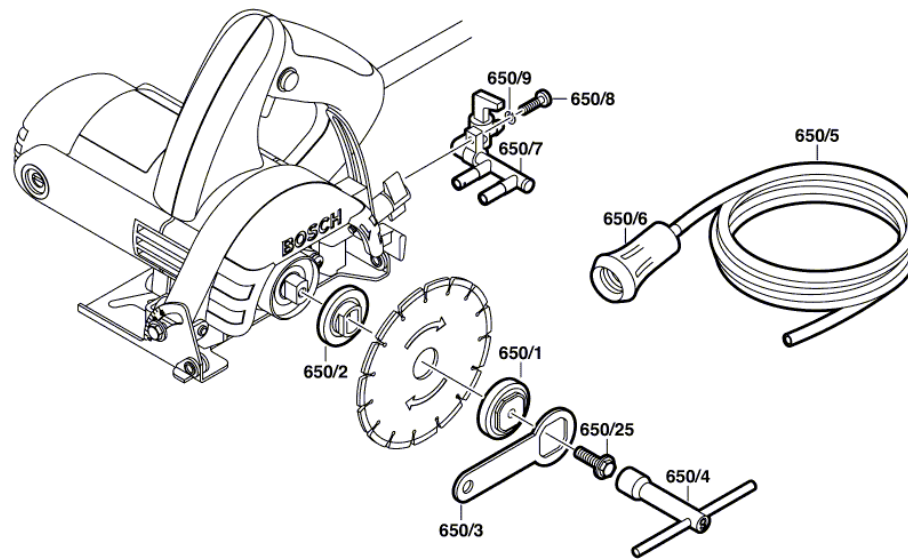


Illustration - Type - E

3 601 C6A 180  
Stand 04-13  
Issue 04-12-13 **Fig./Abb. 2**



Änderungen vorbehalten  
Modifications reserved  
Modifications reserves  
Salvo modificaciones