



BOSCH

Spiral saw

GCU18V-30 | 3 601 JK8 010

Table of Content

Spare parts list.....	2
Illustration - Type.....	4

Spare parts list

Item	Part Number	Description	Illustration	
1	1 619 PB9 219	Housing Assembly	1	
5	1 619 PB7 423	Electronic Module	1	
9	1 619 PB9 186	Manufacturer's nameplate	1	
14	1 619 PB7 442	Bearing	1	
20	1 619 PB9 187	Warning Label	1	
21	1 619 PB9 209	Label	1	
22	1 619 PB7 433	Spring	1	
23	1 619 PB7 419	Rubber Cap	1	
24	1 619 PB7 412	Rubber Pad	1	
25	1 619 PB7 404	Locking Element	1	
26	1 619 PB7 430	Lock Spring	1	
28	1 619 PB7 441	Collar	1	
29	1 619 PB7 443	Tapping Screw	1	
31	1 619 PB7 453	Square Nut	1	
33	1 619 PB7 411	Knob	1	
34	1 619 PB7 440	Collar	1	
35	1 619 PB7 414	Rubber Pad	1	
36	2 610 909 203	Nut	1	
37	1 619 PC0 020	Collet	1	
38	1 619 PB7 438	Felt	1	
40	1 619 PB7 405	Cover	1	
44	1 619 PB9 244	Washer	1	
91	1 607 A35 0AP	Battery Pack ProCore SCM	USA GBA18V40 18V 4.0Ah	1
91	1 607 A35 0BM	Battery Pack	BAT612 18V 2.0Ah Li SCM	1
650	2 607 226 257	Fast Charger	USA GAL 18V-40 120V/ 4A/ 10.8-18V	1
650	2 607 226 287	Charger	US GAL 18V-20 120V / 2A	1
653	2 615 295 091	Collet	1/4"	1
654	2 610 924 080	Collet	5/32"	1
655	2 610 925 591	Assembly Wrench		1
656	2 609 111 584	Clip		1
657	1 619 PB9 292	Screw		1
802	1 619 PB9 291	Motor assembly		1
804	1 619 PB9 296	Switch Assembly		1
808	1 619 PB9 185	Nameplate		1

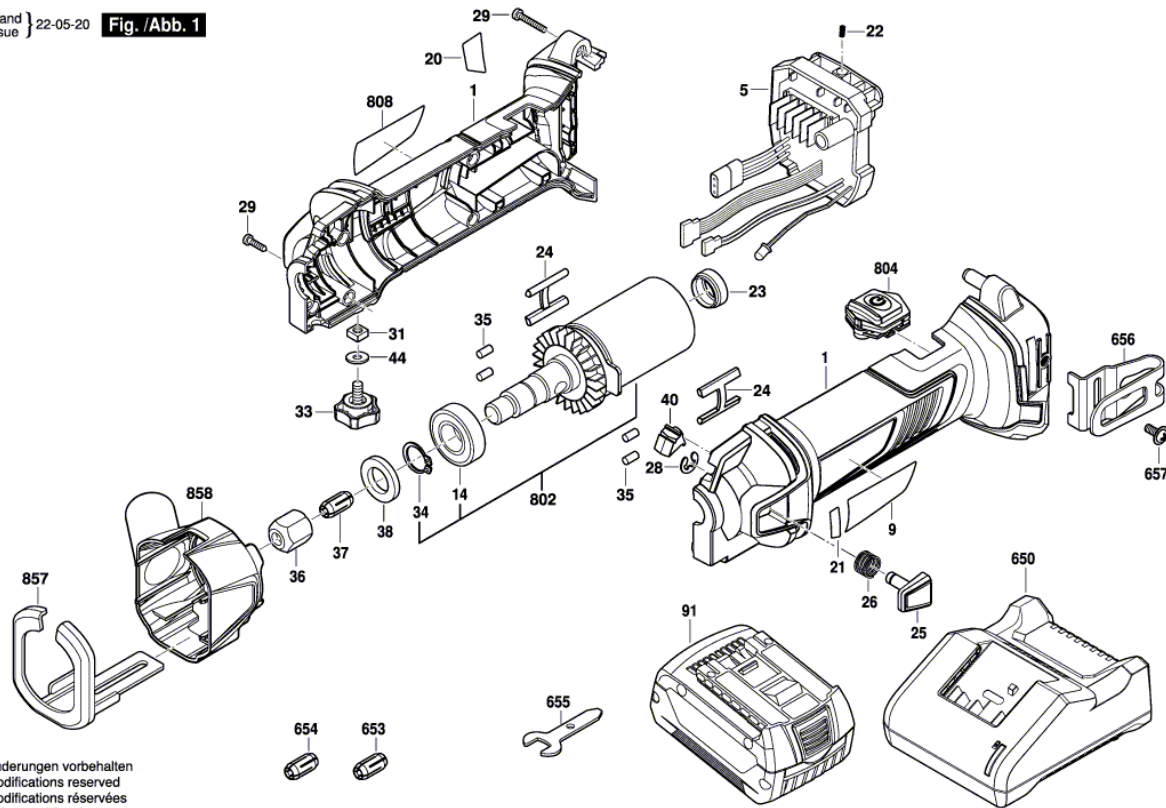
Spare parts list

Item	Part Number	Description	Illustration
857	1 619 PB7 458	Holding Plate	1
858	1 619 PB7 418	Cover	1

Illustration - Type - E

3 601 JK8 010

Stand } 22-05-20 **Fig. /Abb. 1**
 Issue }



Änderungen vorbehalten
 Modifications reserved
 Modifications réservées
 Salvo modificaciones