



**BOSCH**

# Compound Mitre Saw

GCM 216 | 3 601 M33 080

---

## Table of Content

Spare parts list.....	2
Illustration - Type.....	6

## Spare parts list

Item	Part Number	Description	Illustration	Price	Quantity	Price Group
27	1 619 PB6 128	Cover	1	-	1	
28	1 619 PB6 129	Countersunk-Head Screw	1	-	3	
29	1 619 PB6 130	Pan head screw	1	-	2	
30	1 619 PB6 131	Hex Nut	1	-	1	
31	1 619 PB6 132	Knob	1	-	1	
32	1 619 PB6 133	Stop block	1	-	1	
33	1 619 PB6 134	Cover	1	-	1	
34	1 619 PB6 135	Pan head screw YL102	1	-	2	
35	1 619 PB6 136	Pad	1	-	2	
36	1 619 PB6 137	Socket head cap screw PP-GF25+Q235A	1	-	2	
37	1 619 PB6 138	Spring Washer 65Mn	1	-	1	
38	1 619 PB6 139	Mitre Fence	1	-	1	
39	1 619 PB6 140	Socket head cap screw YL102	1	-	4	
40	1 619 PB6 141	Rotary Knob Q235A	1	-	2	
41	1 619 PB6 142	Knob	1	-	2	
42	1 619 PB6 143	Mitre Fence	1	-	1	
43	1 619 PB6 144	Base Body	1	-	1	
45	1 619 PB6 146	Pad	1	-	3	
46	1 619 PB6 147	Extension Stand	1	-	2	
67	1 619 PB6 168	Rail	1	-	7	
145	1 619 PB8 621	Bolt	1	-	1	
44	1 619 PB6 145	Bolt	2	-	1	
47	1 619 PB6 148	Retention knob	2	-	1	
48	1 619 PB6 149	Hex Nut Q235A	2	-	2	
49	1 619 PB6 150	Locking Lever	2	-	1	
50	1 619 PB6 151	Spring	2	-	2	
51	1 619 PB6 152	Bolt YL102	2	-	1	
52	1 619 PB6 153	Pan head screw	2	-	2	
53	1 619 PB6 154	shaft lock	2	-	1	
54	1 619 PB6 155	Set screw	2	-	1	
55	1 619 PB6 156	Turntable	2	-	1	
56	1 619 PB6 157	Scale	2	-	1	
57	1 619 PB6 158	Plain Washer	2	-	1	
58	1 619 PB6 159	Shaft	2	-	1	
59	1 619 PB6 160	Scale	2	-	1	

\* Prices shown are suggested retail prices

## Spare parts list

Item	Part Number	Description	Illustration	Price	Quantity	Price Group
60	1 619 PB6 161	Trunnion	2	-	1	
61	1 619 PB6 162	Bushing Q235A	2	-	2	
62	1 619 PB6 163	Shaft PA6-GF30	2	-	1	
63	1 619 PB6 164	Plain Washer Q235A	2	-	1	
64	1 619 PB6 165	Pivot Shaft	2	-	1	
65	1 619 PB6 166	Plain Washer	2	-	1	
66	1 619 PB6 167	Nut	2	-	1	
68	1 619 PB6 169	Locking Lever	2	-	1	
69	1 619 PB6 170	Bolt	2	-	1	
70	1 619 PB6 171	Set screw	2	-	1	
71	1 619 PB6 172	Spring	2	-	1	
72	1 619 PB6 173	Detent Pin Q235A	2	-	1	
73	1 619 PB6 174	O-Ring ABS	2	-	1	
74	1 619 PB6 175	Set screw	2	-	1	
75	1 619 PB6 176	Plain Washer F8x2	2	-	2	
76	1 619 PB6 177	Spring Washer	2	-	1	
77	1 619 PB6 178	Hex Nut Q235A	2	-	1	
78	1 619 PB6 179	Pan head screw	2	-	6	
79	1 619 PB6 180	Indicator	2	-	1	
80	1 619 PB6 181	Insert	2	-	1	
108	1 619 PB6 210	Nut	2	-	2	
117	1 619 PB6 219	Pan head screw	2	-	2	
19	1 619 PB6 120	Pan head screw	3	-	13	
81	1 619 PB6 182	Dust Separator	3	-	1	
82	1 619 PB6 183	Dust Separator	3	-	1	
83	1 619 PB6 184	Pan head screw	3	-	6	
84	1 619 PB6 185	Cover	3	-	1	
85	1 619 PB6 186	Countersunk-Head Screw	3	-	4	
86	1 619 PB6 188	Lens	3	-	1	
88	1 619 PB6 190	Housing part	3	-	1	
89	1 619 PB6 191	Laser module	3	-	1	
90	1 619 PB6 192	Set screw	3	-	1	
91	1 619 PB6 193	Cover	3	-	1	
92	1 619 PB6 194	Push-Button	3	-	1	
93	1 619 PB6 195	Spring	3	-	1	

\* Prices shown are suggested retail prices

## Spare parts list

Item	Part Number	Description	Illustration	Price	Quantity	Price Group
94	1 619 PB6 196	shaft lock	3	-	1	
102	1 619 PB6 204	Shoulder Screw	3	-	2	
103	1 619 PB6 205	Linkage	3	-	1	
104	1 619 PB6 206	Pan head screw	3	-	6	
105	1 619 PB6 207	Plate	3	-	1	
106	1 619 PB6 208	Locking Washer	3	-	1	
107	1 619 PB6 209	Wheel	3	-	1	
109	1 619 PB6 211	Protective Cover	3	-	1	
110	1 619 PB6 212	Compression Spring	3	-	1	
111	1 619 PB6 213	Torx Flat-Head Screw	3	-	2	
112	1 619 PB6 214	Cover Plate	3	-	1	
113	1 619 PB6 215	Bolt	3	-	1	
114	1 619 PB8 510	Clamping Flange	3	-	1	
116	1 619 PB8 511	Clamping Flange	3	-	1	
122	1 619 PB6 224	T-Slot Stone	3	-	1	
123	1 619 PB6 225	Gear	3	-	1	
124	1 619 PB6 226	Clip	3	-	1	
146	1 619 PB8 622	Screw	3	-	1	
814	1 619 PB6 252	Gear Housing	3	-	1	
818	1 619 PB6 217	Bearing cover	3	-	1	
2	1 619 PB6 108	Field	4	-	1	
4	1 619 PB6 110	Switch	4	-	1	
5	1 619 PB6 248	Power supply cord	4	-	1	
6	1 619 PB6 112	Grommet	4	-	1	
7	1 619 PB6 113	Fastening Clamp	4	-	1	
8	1 619 PB6 249	Nameplate	4	-	1	
10	1 619 PB6 115	Carbon-Brush Set	4	-	1	
12	1 619 PB6 116	Suppression Capacitor	4	-	1	
20	1 619 PB9 047	Warning Label	4	-	1	
95	1 619 PB6 197	Air-Deflector Ring	4	-	1	
96	1 619 PB6 198	Pan head screw	4	-	2	
97	1 619 PB6 199	Bearing cover	4	-	1	
98	1 619 PB6 200	Brush-Cover	4	-	2	
99	1 619 PB6 201	Set screw	4	-	2	
100	1 619 PB6 202	Pan head screw	4	-	4	

\* Prices shown are suggested retail prices

## Spare parts list

Item	Part Number	Description	Illustration	Price	Quantity	Price Group
101	1 619 PB6 203	End cap	4	-	1	
126	1 619 PB6 228	Interlock	4	-	1	
127	1 619 PB6 229	Electronic Module	4	-	1	
128	1 619 PB6 230	Inductor	4	-	1	
129	1 619 PB6 231	Linkage	4	-	1	
130	1 619 PB6 232	Terminal Block	4	-	1	
131	1 619 PB6 233	Pan head screw	4	-	1	
132	1 619 PB6 234	Handle	4	-	1	
133	1 619 PB6 235	Pan head screw	4	-	2	
134	1 619 PB6 236	Pan head screw	4	-	2	
135	1 619 PB6 237	Handle	4	-	1	
136	1 619 PB6 238	Pan head screw	4	-	1	
137	1 619 PB6 239	Switch	4	-	1	
138	1 619 PB6 240	Trigger	4	-	1	
139	1 619 PB6 241	Spring	4	-	1	
141	1 619 PB6 243	Linkage	4	-	1	
142	1 619 PB6 244	Spring	4	-	1	
143	1 619 PB6 245	Handle	4	-	1	
801	1 619 PB6 251	Motor Housing	4	-	1	
803	1 619 PB6 285	Armature	4	-	1	
651	1 619 PB6 247	Hexagon Socket Wrench	5	-	1	
652	1 619 PB6 250	Clamp	5	-	1	
669	1 619 PB6 246	Dust Bag	5	-	1	

\* Prices shown are suggested retail prices



Illustration - Type - E

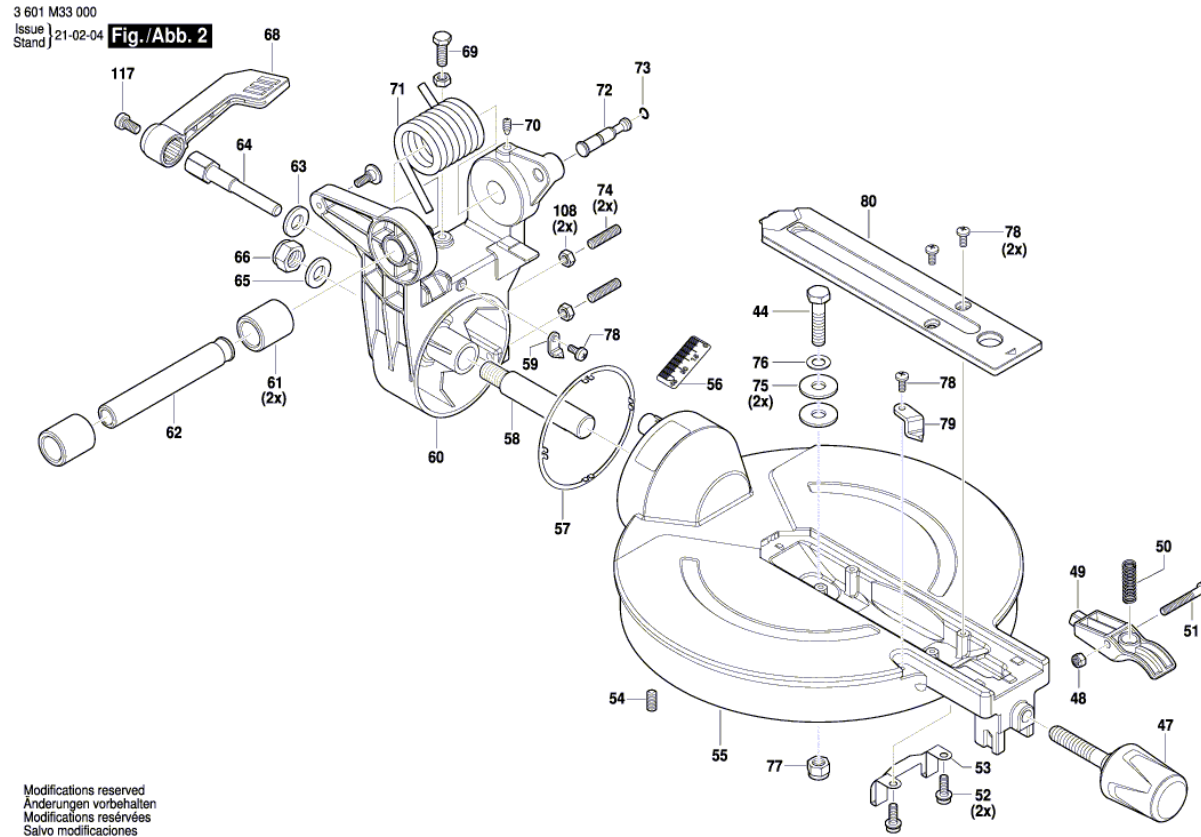
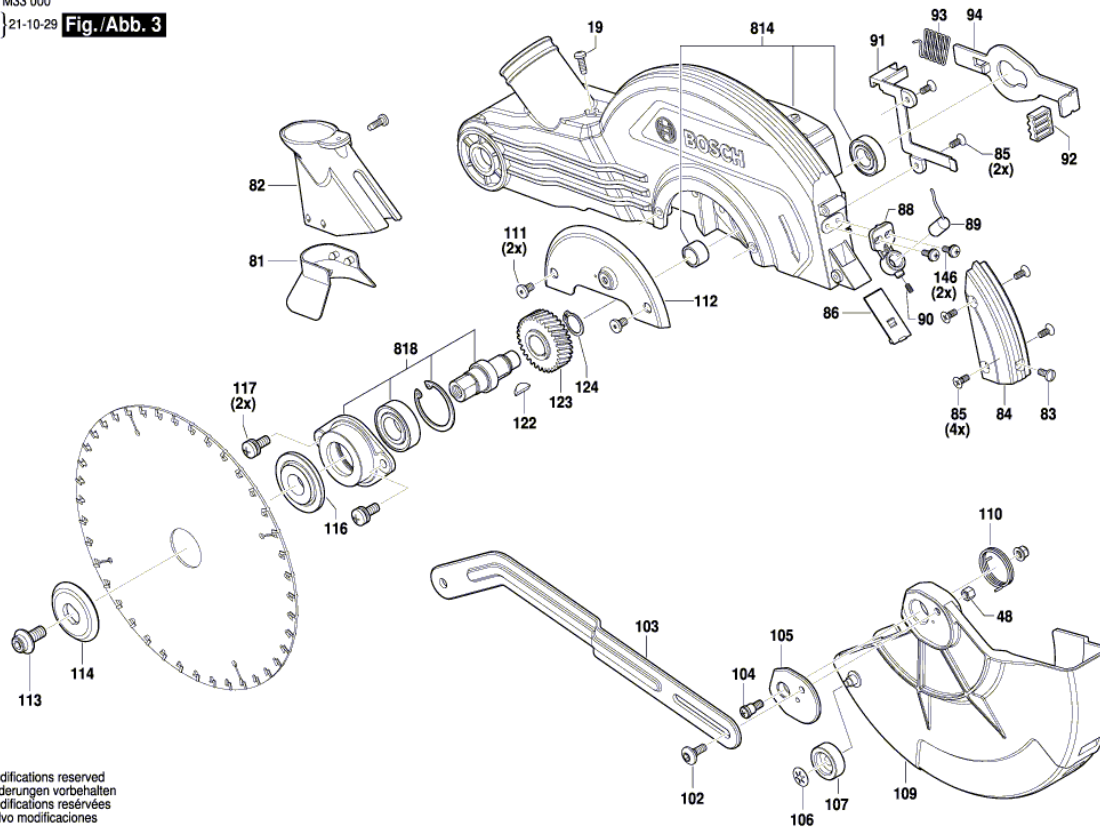


Illustration - Type - E

3 601 M33 000  
Issue | 21-10-29  
Stand | **Fig./Abb. 3**

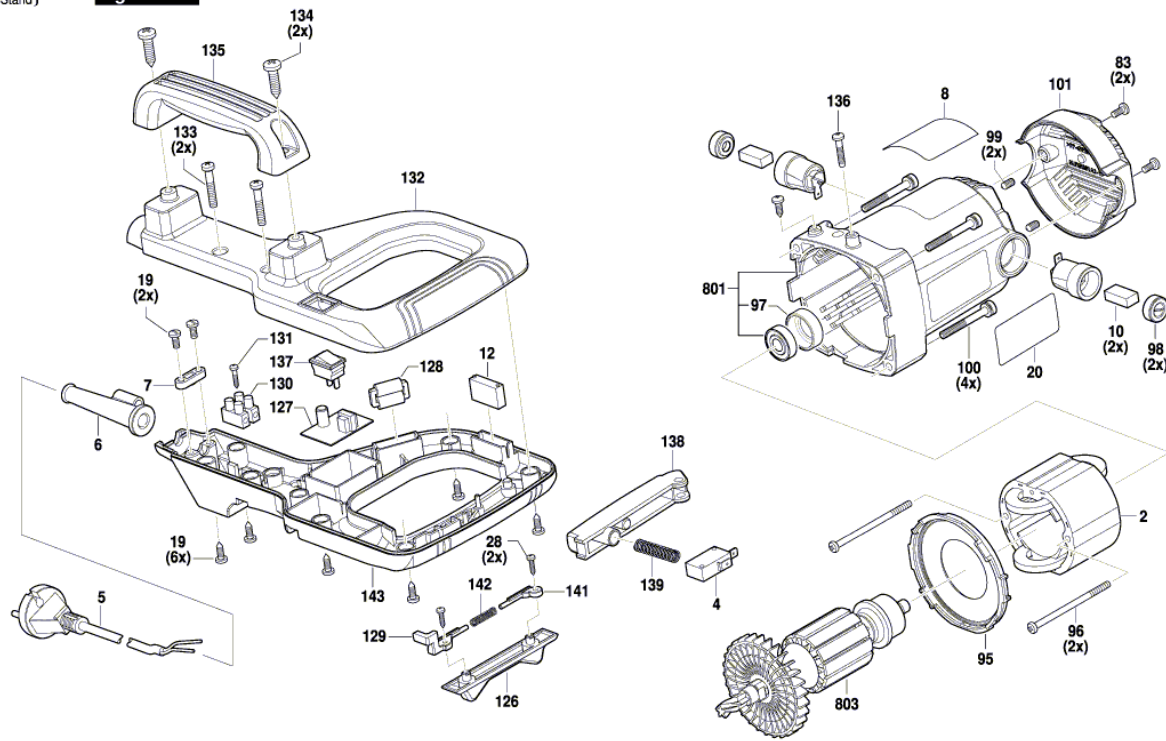


Modifications reserved  
Änderungen vorbehalten  
Modifications réservées  
Salvo modificaciones



Illustration - Type - E

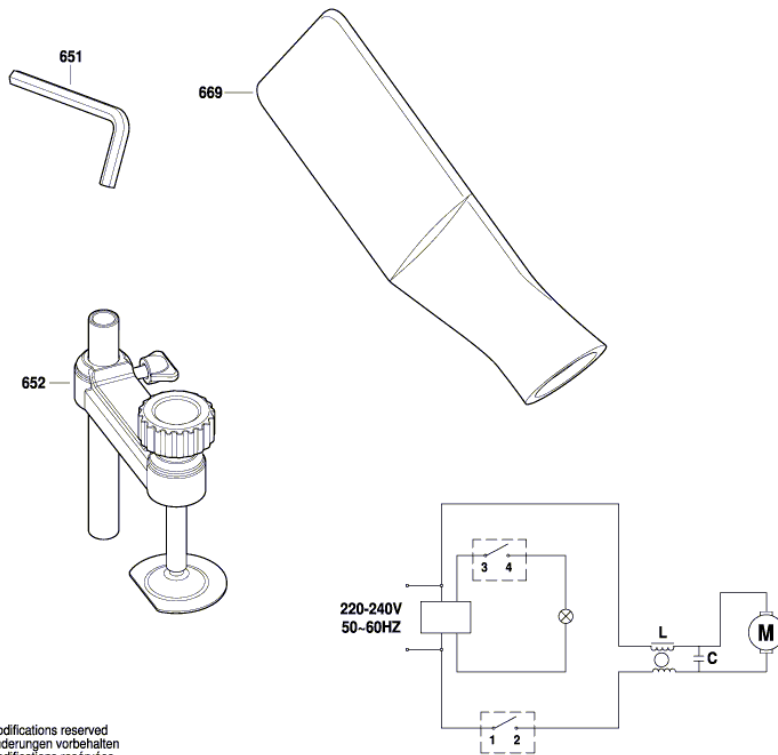
3 601 M33 000  
 Issue | 21-10-29  
 Stand | **Fig./Abb. 4**



Modifications reserved  
 Änderungen vorbehalten  
 Modifications réservées  
 Salvo modificaciones

Illustration - Type - E

3 601 M33 000  
Issue | 21-02-04  
Stand | **Fig./Abb. 5**



Modifications reserved  
Änderungen vorbehalten  
Modifications réservées  
Salvo modificaciones

Anzugsmomente  
Torque values  
Couple de serrage  
Pares de apriete

Pos. 19	= 1,50 - 2,00 Nm
Pos. 28	= 1,50 - 2,00 Nm
Pos. 29	= 1,80 - 3,60 Nm
Pos. 34	= 3,20 - 6,40 Nm
Pos. 36	= 3,20 - 6,40 Nm
Pos. 39	= 3,20 - 6,40 Nm
Pos. 40	= 3,20 - 6,40 Nm
Pos. 44	= 7,50 - 15,0 Nm
Pos. 48	= 1,80 - 3,60 Nm
Pos. 51	= 1,80 - 3,60 Nm
Pos. 52	= 1,80 - 3,60 Nm
Pos. 54	= 7,50 - 15,0 Nm
Pos. 66	= 27,0 - 54,0 Nm
Pos. 69	= 3,20 - 6,40 Nm
Pos. 70	= 3,20 - 6,40 Nm
Pos. 74	= 3,20 - 6,40 Nm
Pos. 77	= 7,50 - 15,0 Nm
Pos. 78	= 0,90 - 1,80 Nm
Pos. 83	= 1,50 - 2,00 Nm
Pos. 85	= 0,90 - 1,80 Nm
Pos. 96	= 2,10 - 3,00 Nm
Pos. 99	= 1,80 - 3,60 Nm
Pos. 100	= 1,80 - 3,60 Nm
Pos. 102	= 1,80 - 3,60 Nm
Pos. 104	= 1,80 - 3,60 Nm
Pos. 113	= 7,50 - 15,0 Nm
Pos. 117	= 3,20 - 6,40 Nm
Pos. 131	= 0,70 - 1,00 Nm
Pos. 133	= 1,80 - 3,60 Nm
Pos. 134	= 4,40 - 6,00 Nm
Pos. 136	= 1,50 - 2,00 Nm
Pos. 140	= 0,70 - 1,00 Nm