



**BOSCH**

# Compound Mitre Saw

GCM18V-12SDN | 3 601 M46 210

---

## Table of Content

Spare parts list.....	2
Illustration - Type.....	8

**Spare parts list**

<b>Item</b>	<b>Part Number</b>	<b>Description</b>	<b>Illustration</b>
8	1 609 B07 139	Base	1
9	1 609 B07 140	Scale	1
10	1 609 B07 141	Screw	1
11	1 609 B07 142	Screw	1
12	1 609 B07 145	Grommet	1
13	1 609 B07 146	Wrench Socket	1
14	1 609 B07 143	Extension Stand	1
15	1 609 B07 144	Screw	1
39	1 609 B07 170	Pad	1
40	1 609 B07 171	Bolt	1
147	1 609 B07 290	Mitre Fence	1
148	1 609 B07 291	Mitre Fence	1
149	1 609 B07 292	Plain Washer	1
150	2 610 013 365	Spring Washer	1
151	1 609 B07 295	Tapping Screw	1
152	1 609 B07 296	Mitre Fence	1
153	1 609 B07 297	Mitre Fence	1
154	1 609 B07 298	Knob	1
187	1 609 B07 325	Warning Label	1
188	1 609 B07 326	Warning Label	1
189	1 609 B07 475	Warning Label	1
190	1 609 B07 476	Warning Label	1
191	1 609 B07 477	Warning Label	1
192	1 609 B07 478	Warning Label	1
194	1 609 B07 479	Warning Label	1
16	1 609 B07 147	Saw Table	2
17	1 609 B07 338	Shaft	2
18	1 609 B07 149	Set screw	2
19	1 609 B07 150	Detent Pin	2
20	1 609 B07 151	Spring Clip	2
21	1 609 B07 152	Knob	2
22	2 610 015 053	Spring retaining ring	2
23	1 609 B07 154	Plate	2
24	1 609 B07 155	Screw	2
25	1 609 B07 156	Sliding Rod	2

**Spare parts list**

<b>Item</b>	<b>Part Number</b>	<b>Description</b>	<b>Illustration</b>
26	1 609 B07 157	Guide Bracket	2
27	1 609 B07 158	Screw	2
28	1 609 B07 159	Sliding Block	2
29	1 609 B07 160	Screw	2
30	1 609 B07 161	Compression Spring	2
31	1 609 B07 162	Locking Lever	2
32	1 609 B07 163	Rivet	2
33	1 609 B07 164	Push-Button	2
34	1 609 B07 165	Spring Clip	2
35	1 609 B07 166	Screw	2
36	1 609 B07 167	Locking Bar	2
37	1 609 B07 168	Pointer	2
38	1 609 B07 169	Screw	2
41	1 609 B07 172	Plain Washer	2
42	1 609 B07 173	Nut	2
43	1 609 B07 174	Support Plate	2
44	1 609 B07 176	Scale	2
59	1 609 B07 337	Threaded Rod	2
107	1 609 B07 264	Dust Extraction	2
108	1 609 B07 265	Dust Extraction	2
139	1 609 B07 281	Spring Clip	2
140	1 609 B07 282	Ball	2
141	1 609 B07 283	Detent	2
142	1 609 B07 284	Plain Washer	2
143	1 609 B07 285	Wave spring	2
144	1 609 B07 286	Tapping Screw	2
179	1 609 B07 324	Clamp	2
195	1 609 B07 482	Warning Label	2
196	1 609 B07 483	Warning Label	2
45	1 609 B07 177	Yoke	3
46	1 609 B07 178	Rail	3
47	1 609 B07 179	Rail	3
48	1 609 B07 346	Post	3
49	1 609 B07 181	Bearing	3
50	1 609 B07 182	Mounting Plate	3

**Spare parts list**

<b>Item</b>	<b>Part Number</b>	<b>Description</b>	<b>Illustration</b>
51	1 609 B07 184	Set screw	3
52	1 609 B07 185	Shoulder Screw	3
53	1 609 B07 186	Nut	3
54	1 609 B07 187	Support bracket	3
55	1 609 B07 188	Plain Washer	3
56	1 609 B07 189	Wave spring	3
57	1 609 B07 190	Screw	3
60	1 609 B07 289	Handle Bar	3
61	2 610 912 587	Plain Washer	3
62	1 609 B07 302	Plain Washer	3
63	1 609 B07 196	Wave spring	3
64	1 609 B07 198	Hinge	3
65	2 610 950 110	Profile Rail	3
66	1 609 B07 200	Set screw	3
67	2 610 911 584	Rubber Pad	3
68	1 609 B07 202	Knob	3
69	2 610 911 582	Spring	3
72	2 610 910 791	Nut	3
73	1 609 B07 208	Detent Pin	3
74	1 609 B07 209	O-Ring	3
75	1 609 B07 210	Retaining ring	3
145	1 609 B07 287	Pointer	3
146	1 609 B07 288	Pointer	3
155	1 609 B07 299	Support bracket	3
197	1 609 B07 480	Warning Label	3
198	1 609 B07 481	Warning Label	3
1	1 607 022 69D	Brushless DC motor	4
2	1 607 233 5NE	Electronics Module	4
3	2 607 202 554	Switch	4
4	1 600 A02 6SD	Battery Holder	4
5	1 600 A02 73U	Voltage regulator	4
6	1 604 400 01Y	Ribbon cable	4
94	1 609 B07 232	Gear Box	4
95	1 609 B07 233	Needle bearing	4
96	1 609 B07 234	Gasket	4

**Spare parts list**

<b>Item</b>	<b>Part Number</b>	<b>Description</b>	<b>Illustration</b>
98	1 609 B07 236	Screw	4
99	1 609 B07 237	Screw	4
100	1 609 B07 239	Spring Clip	4
101	1 609 B07 240	Pin	4
102	1 609 B07 241	Button	4
103	1 609 B07 242	Retaining ring	4
104	1 609 B07 243	Screw	4
105	1 609 B07 262	Carrying Handle	4
106	1 609 B07 263	Screw	4
123	1 609 B07 244	Cover	4
124	1 609 B07 193	Screw	4
125	1 609 B07 246	Battery Holder	4
126	1 609 B07 247	Screw	4
127	1 609 B07 248	Spring Clip	4
128	1 609 B07 249	Screw	4
130	1 609 B07 251	Button	4
131	1 609 B07 252	Spring Clip	4
132	1 609 B07 253	Support bracket	4
133	1 609 B07 254	Screw	4
134	1 609 B07 255	Trigger	4
136	1 609 B07 257	Tapping Screw	4
137	1 609 B07 259	Housing Cover	4
138	1 609 B07 260	Tapping Screw	4
175	1 609 B07 323	Dust Bag	4
193	1 609 B07 484	Warning Label	4
818	1 607 000 EG7	Switch Handle	4
7	1 609 B07 327	Nameplate	5
76	1 609 B07 211	Wear Plate	5
77	1 609 B07 212	Safety Guard	5
78	1 609 B07 213	Housing Cover	5
79	1 609 B07 214	LED-Module	5
80	1 609 B07 215	Lens	5
81	1 609 B07 216	Adjusting Ring	5
82	1 609 B07 217	Screw	5
83	1 609 B07 218	Protective Cover	5

**Compound Mitre Saw | GCM18V-12SDN | 3 601 M46 210****Spare parts list**

<b>Item</b>	<b>Part Number</b>	<b>Description</b>	<b>Illustration</b>
84	1 609 B07 219	Screw	5
85	1 609 B07 220	Ball Bearing	5
86	1 609 B07 221	Pinion Shaft	5
87	1 609 B07 222	Sprocket	5
88	2 610 012 984	Woodruff Key	5
89	2 610 997 276	Spring retaining ring	5
90	1 609 B07 225	Chain	5
91	1 609 B07 226	Transmission Shaft	5
92	1 609 B07 230	Gear	5
93	1 609 B07 231	Ball Bearing	5
97	1 609 B07 235	Bearing Bracket	5
109	1 609 B07 266	Screw	5
110	1 609 B07 267	Dust Extraction	5
111	1 609 B07 268	Dust Extraction	5
112	1 609 B07 269	Screw	5
113	1 609 B07 270	Rivet	5
114	1 609 B07 271	Screw	5
115	1 609 B07 272	Torsion Spring	5
116	1 609 B07 273	Dust Extraction	5
117	1 609 B07 274	Screw	5
118	1 609 B07 276	Spacer	5
119	1 609 B07 277	Torsion Spring	5
120	1 609 B07 278	Pivot Pin	5
121	2 610 921 466	Screw	5
122	1 609 B07 280	Screw	5
156	1 609 B07 303	Flange	5
158	2 610 911 909	Flange	5
159	1 609 B07 305	Flange Bolt	5
164	1 609 B07 310	Rubber Pad	5
166	1 609 B07 312	Bushing	5
168	1 609 B07 315	Wheel	5
169	1 609 B07 316	Retaining ring	5
170	1 609 B07 317	Screw	5
171	1 609 B07 319	Wave spring	5
172	1 609 B07 320	Linkage	5

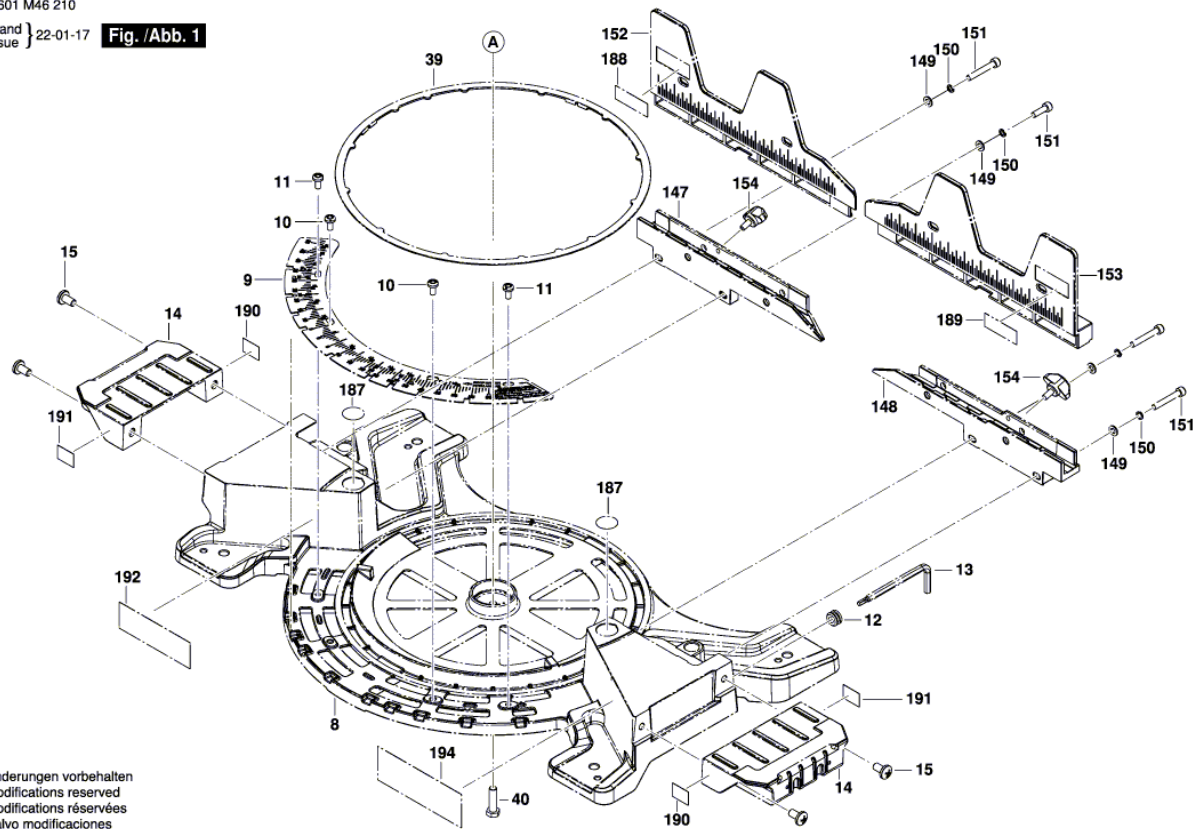
**Spare parts list**

<b>Item</b>	<b>Part Number</b>	<b>Description</b>	<b>Illustration</b>
173	1 609 B07 321	Screw	5
174	1 609 B07 322	Screw	5
876	1 607 000 EG4	Lower guard	5

Illustration - Type - E

3 601 M46 210

Stand } 22-01-17  
Issue } **Fig. /Abb. 1**



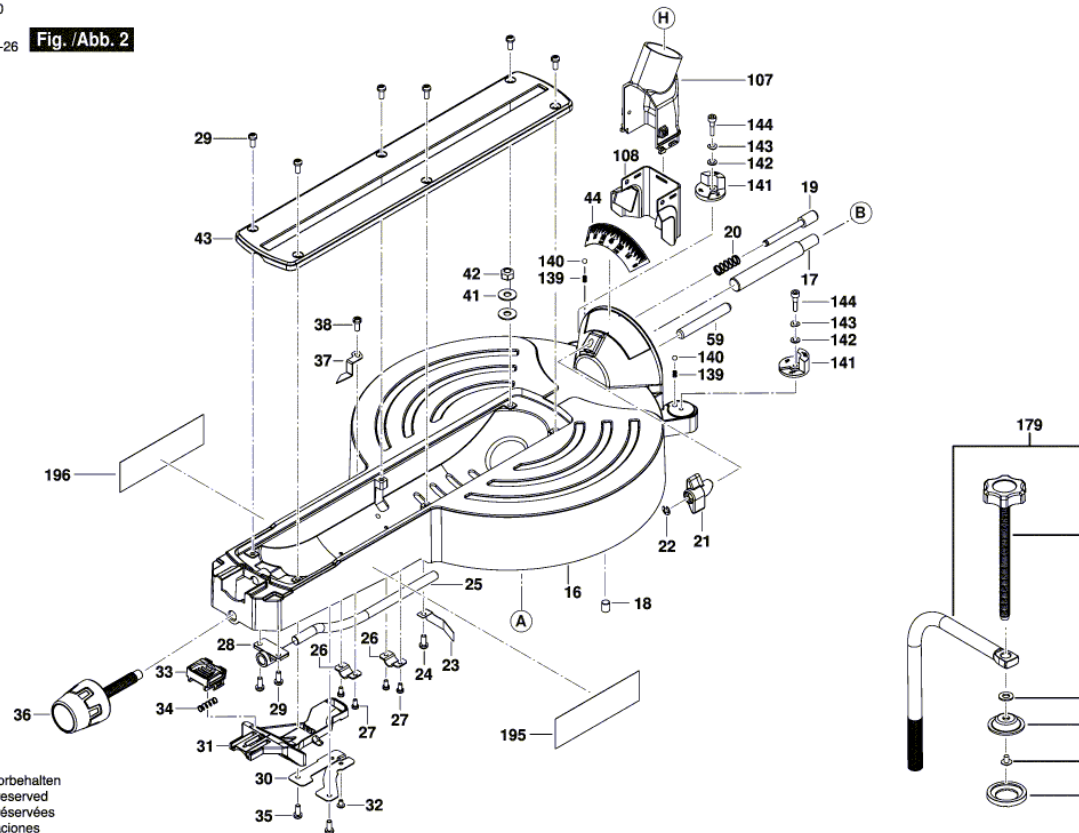
Änderungen vorbehalten  
Modifications reserved  
Modifications réservées  
Salvo modificaciones



Illustration - Type - E

3 601 M46 210  
 Stand 22-01  
 Issue 22-04-26

Fig./Abb. 2

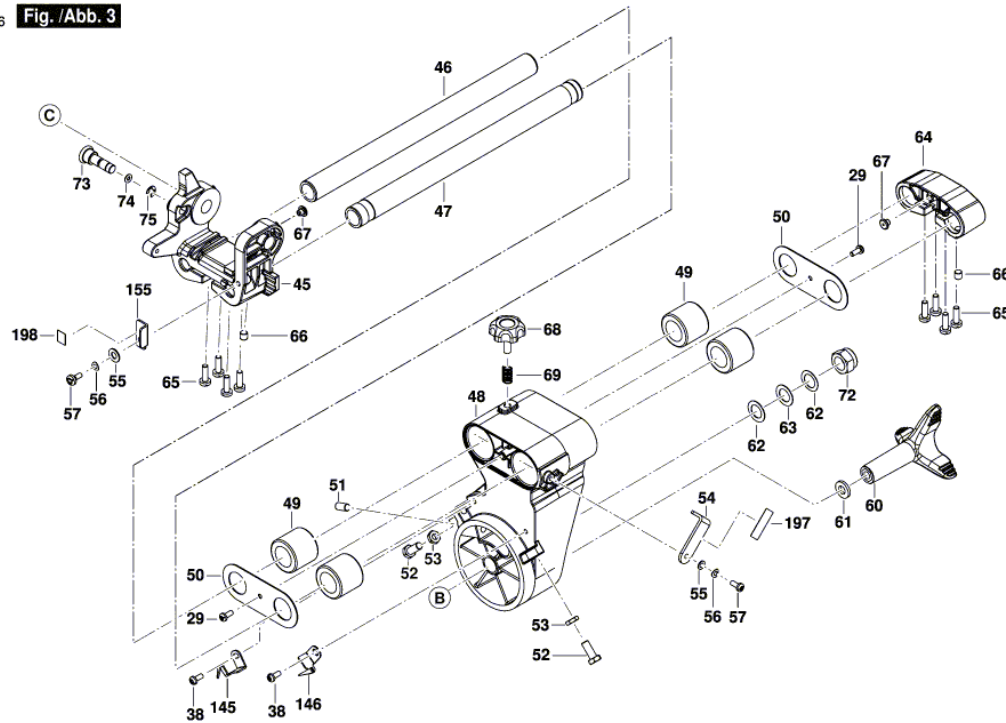


Änderungen vorbehalten  
 Modifications reserved  
 Modifications réservées  
 Salvo modificaciones

Illustration - Type - E

3 601 M46 210  
 Stand 22-01  
 Issue 22-04-26

Fig. /Abb. 3



Änderungen vorbehalten  
 Modifications reserved  
 Modifications réservées  
 Salvo modificaciones

Illustration - Type - E

3 601 M46 210  
 Stand } 22-01  
 Issue } 22-02-23

Fig./Abb. 4

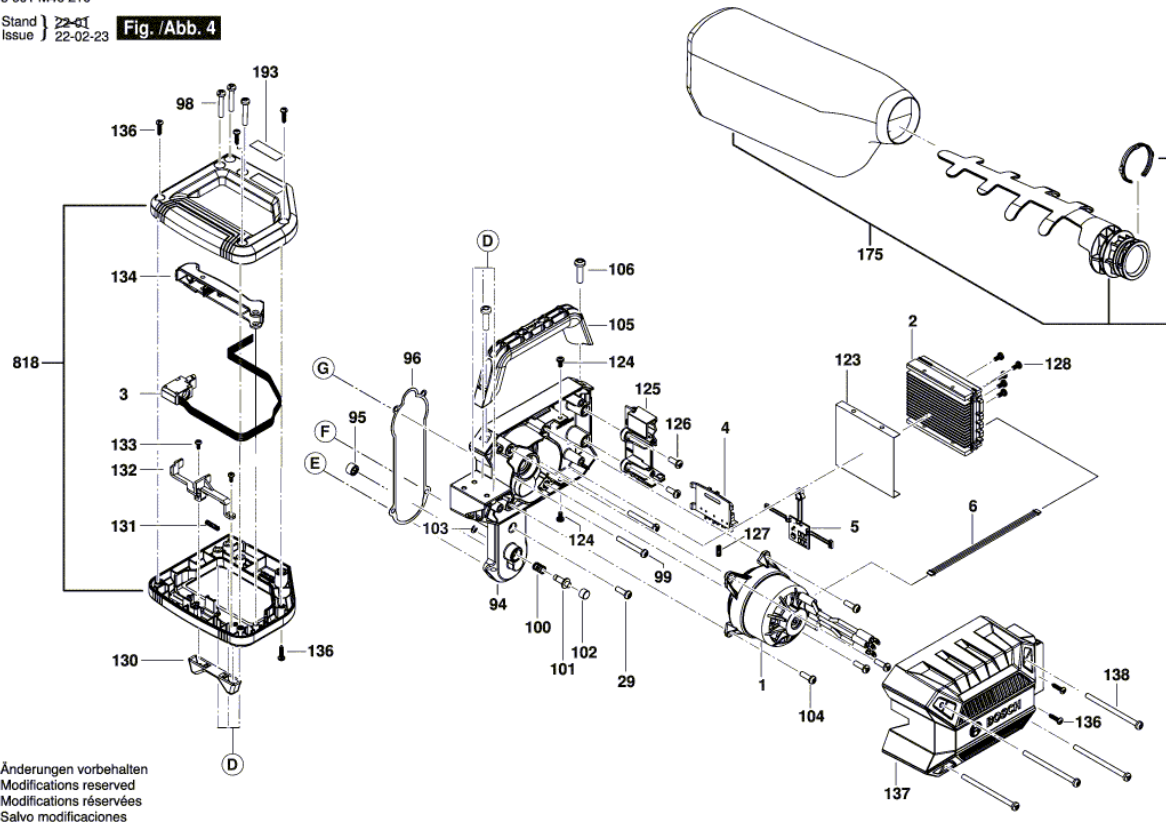


Illustration - Type - E

