



BOSCH

Compound Mitre Saw

GCM 10M | 3 601 M20 180

Table of Content

Spare parts list.....	2
Illustration - Type.....	6

Spare parts list

Item	Part Number	Description
1	1 609 B00 991	Motor Housing
2	1 609 B00 119	Field 230V
4	1 609 B00 882	On-Off Switch
5	1 609 B00 819	Power supply cord
6	1 609 B00 820	Grommet
7	1 609 B00 821	Cable Clip
12	1 609 B00 749	Suppression Capacitor
13	1 609 B00 812	Bearing
14	1 609 B00 835	Bearing
15	1 609 B00 105	Fan
18	1 619 P03 837	Raised ctsunk head tap sc
19	1 619 P03 833	Screw ECO-SYN St 3,5x16
20	1 609 B00 833	Warning Plate
117	1 609 B00 988	Handle
118	1 609 B00 989	Handle Cover
119	1 609 B00 822	Trigger
120	1 609 B00 813	Ring
121	1 619 P03 824	Raised ctsunk head tap sc
122	1 609 B00 823	Screw
123	1 609 B00 824	Lock Nut
125	1 609 B00 992	Housing Cover
126	1 619 P03 834	Screw ECO-SYN St3,5x10
127	1 609 B00 828	Screw
129	1 600 206 030	Rubber Ring
132	1 619 P03 823	Pickup Clip
133	1 609 B00 838	Air-Deflector Ring
136	1 609 B00 799	Bushing
143	1 609 BP7 059	Connection Block
144	1 609 B00 887	Connecting Cable
145	1 609 B00 888	Connecting Cable
147	1 609 B00 921	Special Screw
803	1 609 B00 879	Armature
808	1 609 B00 892	Nameplate
810	1 607 014 171	Carbon-Brush Set
816	1 604 336 048	Brush Holder

Compound Mitre Saw | GCM 10M | 3 601 M20 180**Spare parts list**

Item	Part Number	Description
24	1 609 B00 703	Plain Washer
35	1 609 B00 718	Screw
37	1 609 B00 720	Plain Washer
38	1 609 B00 721	Lock Nut
49	1 609 B00 733	Plain Washer
50	1 609 B00 734	Lock Nut
62	1 609 B00 751	Pivot
63	1 609 B00 753	Lever
64	1 609 B00 757	Plain Washer
65	1 609 B00 758	Pointer
66	1 609 B00 760	Detent Pin
67	1 609 B00 714	O-Ring
68	1 609 B00 761	Spring Pin
69	1 609 B00 762	Knob
70	1 609 B00 763	Screw
71	1 609 B00 764	Pivot Shaft
72	1 609 B00 765	Torsion Spring
73	1 609 B00 766	Sleeve
74	1 609 B00 767	Dust Separator
75	1 609 B00 769	Arm
76	1 609 B00 771	Screw
77	1 609 B00 772	Wear Plate
78	1 609 B00 773	Knob
79	1 609 B00 774	Locking Pin
80	1 609 B00 775	Compression Spring
81	1 609 B00 716	Spring Pin
83	1 609 B00 777	Needle-Roller Bearing
86	1 609 B00 780	Screw
87	1 609 B00 781	Pin
89	1 609 B00 784	Cover Plate
90	1 609 B00 785	Screw
91	1 609 B00 786	Flange
92	1 609 B00 787	Inner Disc
93	1 609 B00 788	Ring
94	1 609 B00 960	Flange Bolt

Compound Mitre Saw | GCM 10M | 3 601 M20 180**Spare parts list**

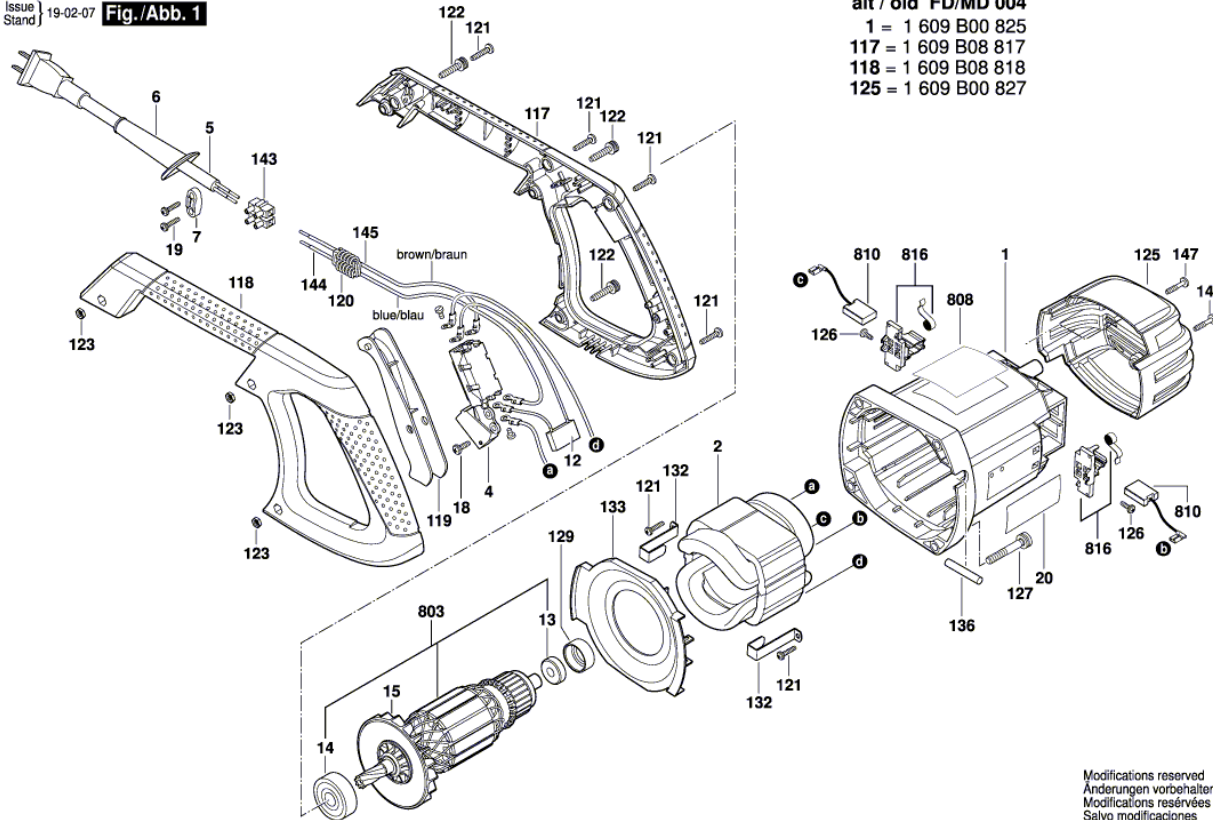
Item	Part Number	Description
95	1 609 B00 986	Safety Cover
96	1 609 B00 918	Chip Deflector
97	1 609 B00 919	Chip Deflector
98	1 609 B00 920	Guard Plate
99	1 609 B00 930	Shoulder Screw
100	1 609 B00 798	Screw
101	1 609 B00 987	Protective Cover
103	1 609 B00 802	Torsion Spring
104	1 609 B00 803	Screw
105	1 609 B00 804	Table top
106	1 609 B00 730	Lock Nut
107	1 609 B00 738	Washer
108	1 609 B00 806	Roller
109	1 609 B00 807	Impeller
110	1 609 B00 750	Retaining snap ring
111	1 609 B00 917	Linkage
112	1 609 B00 810	Screw
113	1 609 B00 811	Roller
114	1 609 B00 990	Lever
115	1 609 B00 815	Torsion Spring
116	1 609 B00 816	Screw
135	1 609 B00 800	Bushing
137	1 609 B00 829	Screw
139	1 609 B00 872	Holder
651	1 609 B00 840	Dust Bag
828	1 609 B00 983	Special Screw
882	1 609 B00 982	Drive Shaft
22	1 609 B00 700	Base
23	1 609 B00 702	Screw
25	1 609 B00 704	Lock Nut
26	1 609 B00 705	Rubber Bushing
27	1 609 B00 706	Rubber Bushing
28	1 609 B00 707	Offset Screwdriver
29	1 609 B00 709	Scale
30	1 609 B00 710	Screw

Spare parts list

Item	Part Number	Description
31	1 609 B00 711	Table
32	1 609 B00 713	Scale
33	1 609 B00 715	Sliding Plate
34	1 609 B00 717	Pointer
36	1 609 B00 719	Stud bolt
39	1 609 B00 722	Screw
40	1 609 B00 723	Stud bolt
41	1 609 B00 724	Rivet
42	1 609 B00 725	Locking Lever
43	1 609 B00 726	Spring
44	1 609 B00 727	Tube
45	1 609 B00 728	Block
46	1 609 B00 729	Screw
47	1 609 B00 731	Spring Washer
48	1 609 B00 732	Screw
51	1 609 B00 735	Knob
52	1 609 B00 736	Pressure Plate
53	1 609 B00 740	Screw
54	1 609 B00 741	Nut
55	1 609 B00 742	Plastic Insert
56	1 609 B00 754	Plastic Insert
58	1 609 B00 744	Safety Cover
59	1 609 B00 745	Screw
60	1 609 B00 985	Mitre Fence
61	1 609 B00 748	Screw
131	1 609 B00 708	Warning Plate
134	1 609 B00 739	Rivet
652	1 609 B00 839	Clamp
653	1 609 B00 797	Extension Stand

Illustration - Type - E

3 601 M20 180
 Issue | 19-02-07
 Stand | **Fig./Abb. 1**



alt / old FD/MD 004
 1 = 1 609 B00 825
 117 = 1 609 B08 817
 118 = 1 609 B08 818
 125 = 1 609 B00 827

Modifications reserved
 Änderungen vorbehalten
 Modifications réservées
 Salvo modificaciones

Illustration - Type - E

3 601 M20 180
Issue |
Stand | 19-03-16 **Fig./Abb. 2**

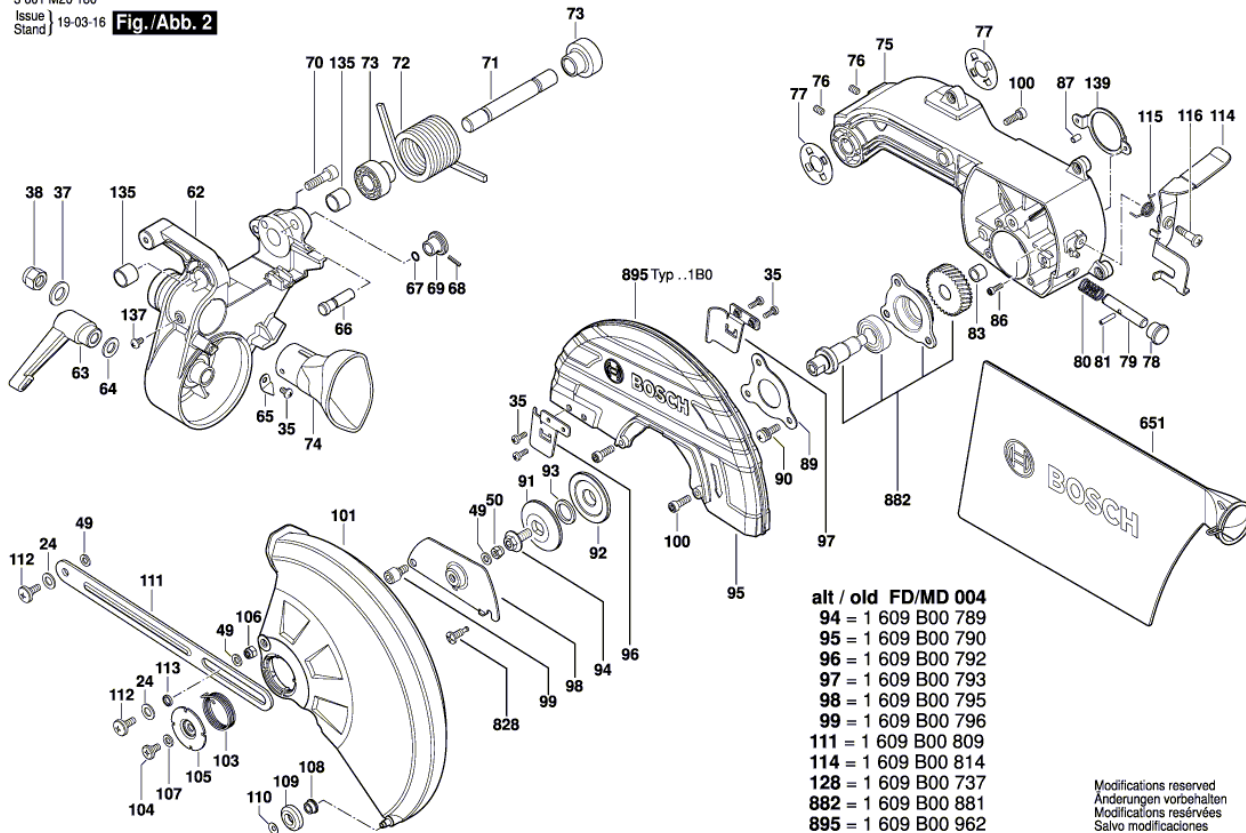
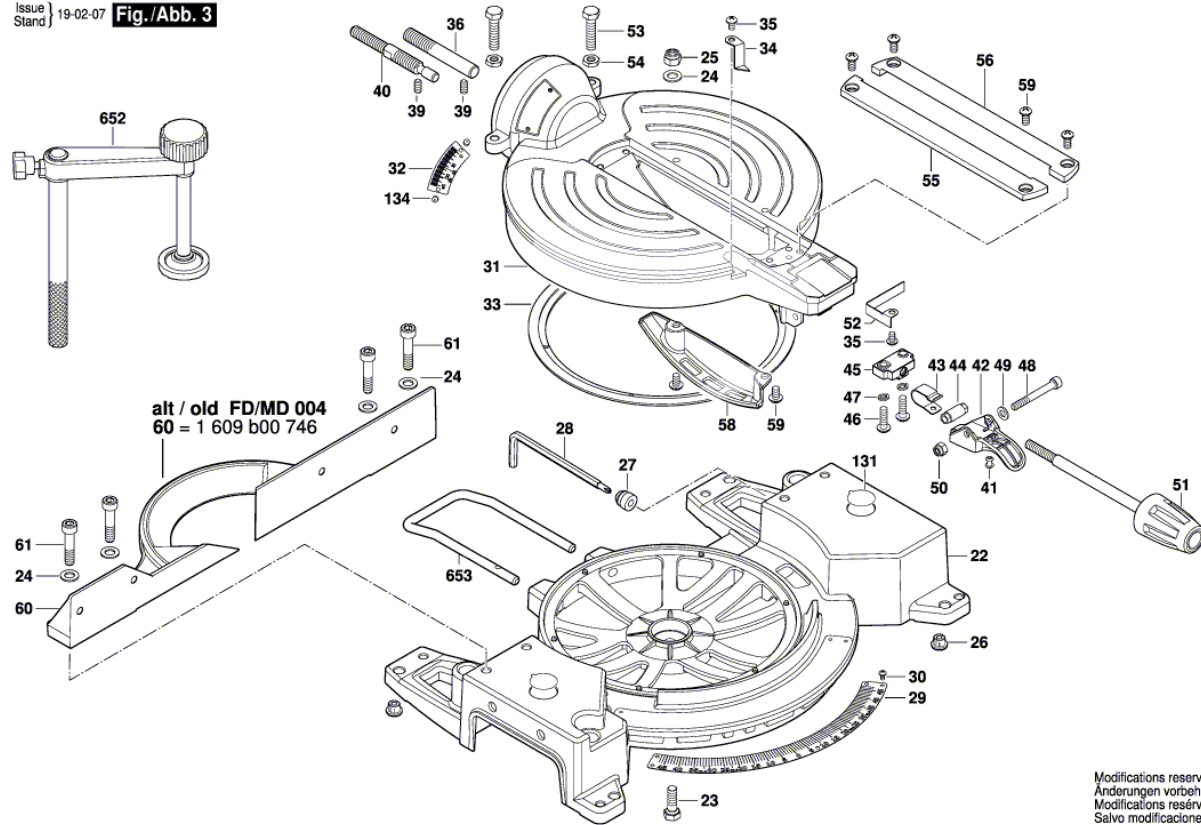


Illustration - Type - E

3 601 M20 180
 Issue | 19-02-07
 Stand | **Fig./Abb. 3**



Modifications reserved
 Änderungen vorbehalten
 Modifications réservées
 Salvo modificaciones