



BOSCH

Laser Level

GCL2-55 | 3 601 K66 L10

Table of Content

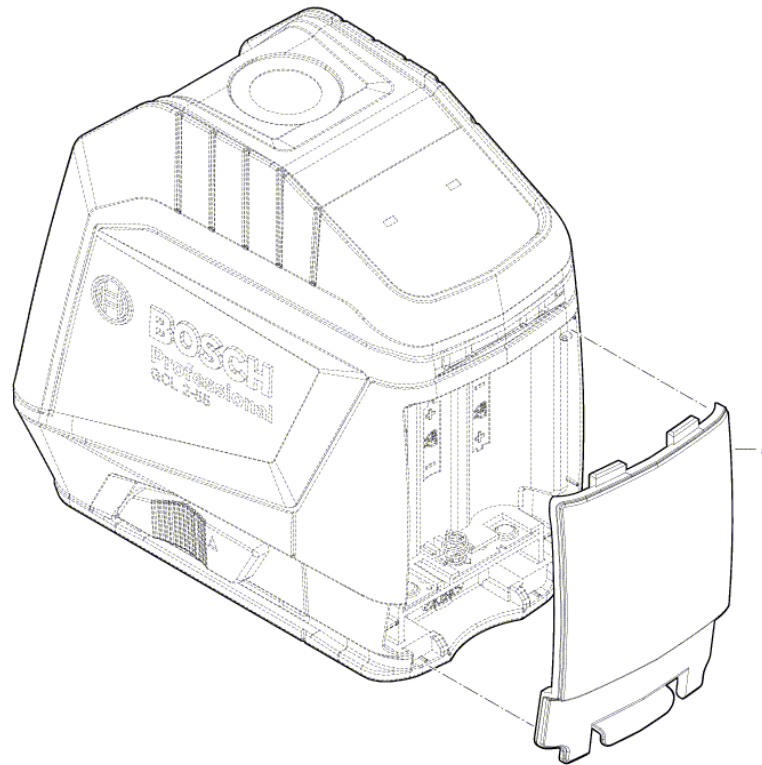
Spare parts list.....	2
Illustration - Type.....	3

Spare parts list

Item	Part Number	Description	Illustration
5	1 600 A01 154	Battery Cover	1

Illustration - Type - E

3 601 K66 L10
Issue/Stand | 18-03-15 | Fig./Abb. 1



Modifications reserved
Änderungen vorbehalten
Modifications réservées
Salvo modificaciones