



**BOSCH**

# Laser Level

GCL 2-160 | 3 601 K66 F10

---

## Table of Content

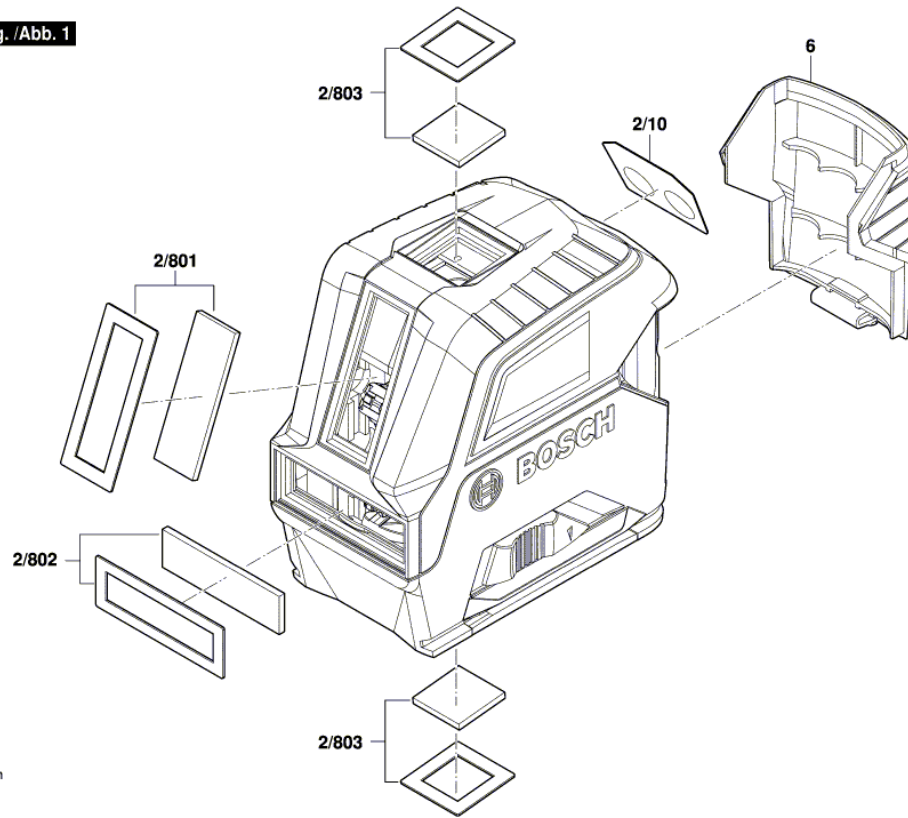
Spare parts list.....	2
Illustration - Type.....	3

**Spare parts list**

<b>Item</b>	<b>Part Number</b>	<b>Description</b>	<b>Illustration</b>
2/10	1 618 C01 20R	Key Switch	1
2/801	1 607 000 C9T	Window	1
2/802	1 607 000 C9S	Window	1
2/803	1 607 000 C9U	Window	1
6	1 618 C01 20G	Battery Cover	1

Illustration - Type - E

3 601 K66 E00  
Stand } 16-04-08 Fig. /Abb. 1  
Issue }



Änderungen vorbehalten  
Modifications reserved  
Modifications réservées  
Salvo modificaciones