

# **GCK5000**

**954 05 18-01**

**CAUTION: READ RULES AND INSTRUCTIONS CAREFULLY  
FOR SAFE OPERATION**

**• SAFETY PRECAUTIONS •**

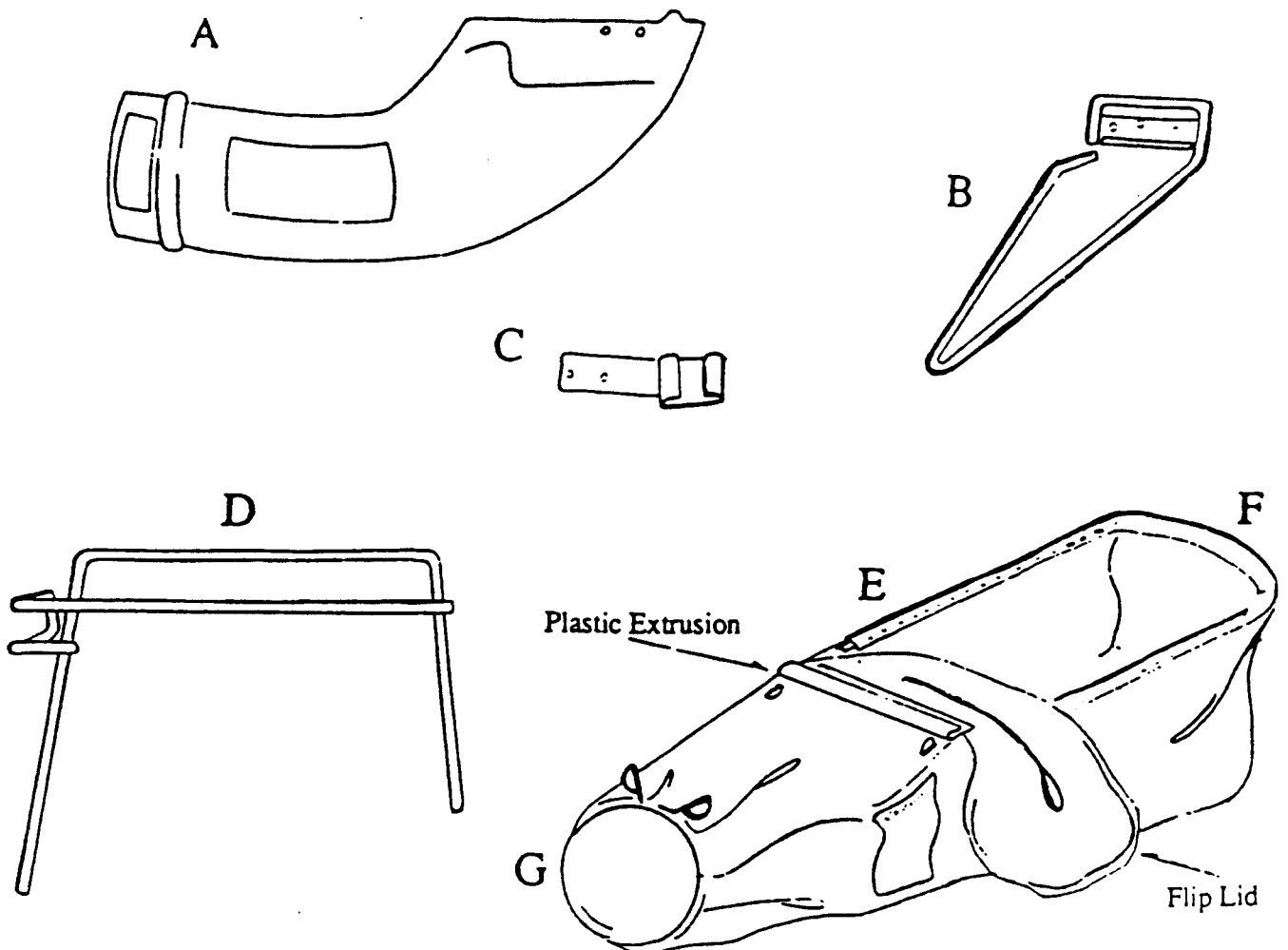
- ①** Stop engine prior to attaching or removing grass catcher from mower.
- ②** Under normal usage the catcher bag material is subject to wear and deterioration, and therefore, should be checked frequently for replacement. Any replacement should be with an approved Sears replacement grass catcher.
- ③** Check bolts, which attach the mounting bracket (item 1) to the mower chute, to assure tightness. They should be checked periodically with engine off.
- ④** When working on the mower or grass catcher, be sure that the engine is in the "off" position and detach the spark plug. (When the wire is detached, keep it away from the spark plug.)
- ⑤** Occasionally the chute of the mower may become clogged with grass. Never attempt to unclog the chute while the mower is running.
- ⑥** FLIP LID MUST ALWAYS BE CLOSED WHILE ON THE MOWER.
- ⑦** DO NOT OPERATE MOWER UNLESS GRASS CATCHER IS ATTACHED OR DEFELECTOR CHUTE IS IN PROPER POSITION.

For best filling, of the catcher, hose it down with water frequently and allow to dry. This will help keep the "pores" clean so the bag can "breathe".

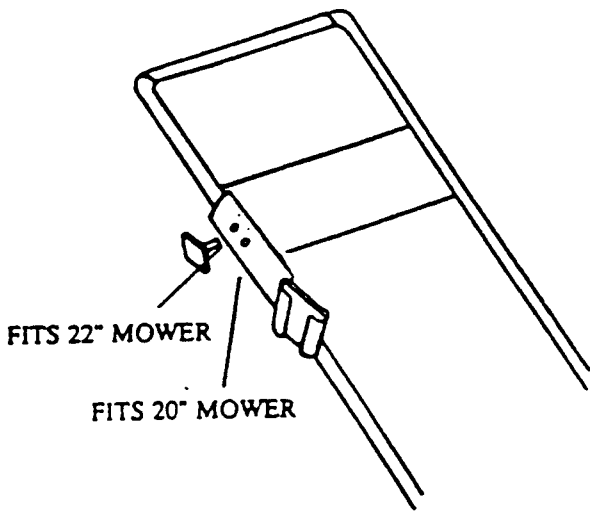
Under some conditions, it is possible for the bag not to fill completely. If this occurs, raise the cutting height of the mower one notch. This allows more air under the deck, increasing air and clipping movement from the deck into the catcher.

#### PARTS LIST

Letter	Description	Quantity	Part No.
A	Plastic Chute	1	4316
B	Chute Mounting Bracket with Wire	1	2413
C	Handle Bracket	1	2414
D	Bag Frame	1	2415
E	Bag	1	
F	Hairpin (Sewn in Bag)	1	2416
G	Clamp Ring (Sewn in Bag)	1	2417
H	1/4-20 x 1/2" THMS	2	3004
I	1/4-20 Locknut	2	3030

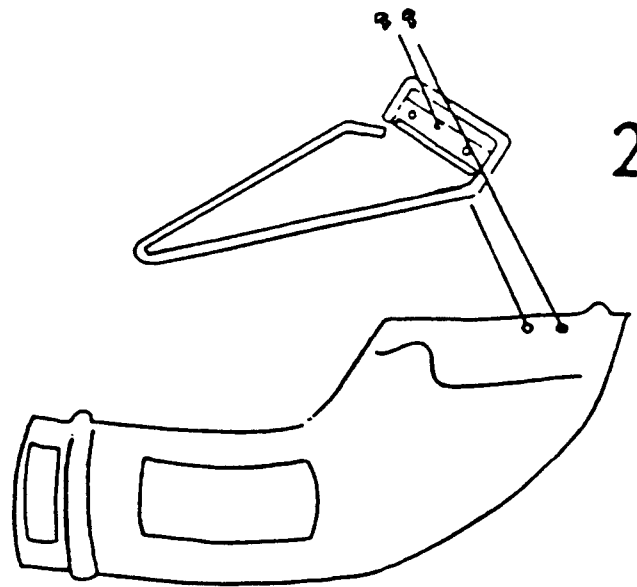


1



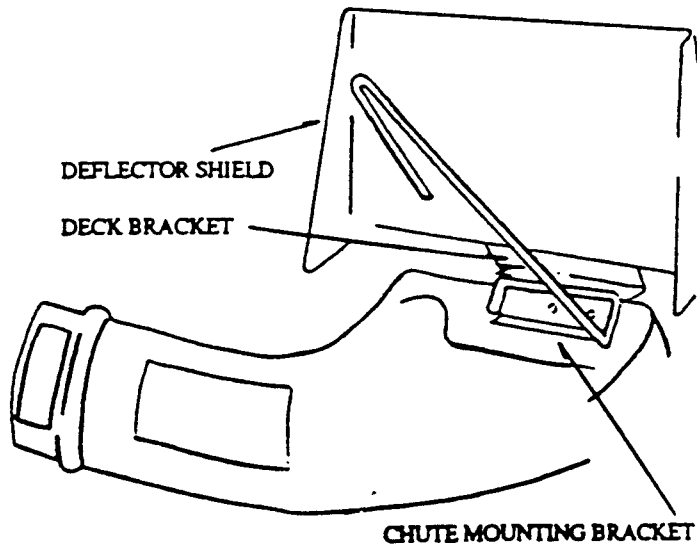
Attach Handle Bracket (C) to Lawnmower handle using wing nut provided on handle bar of mower.

2



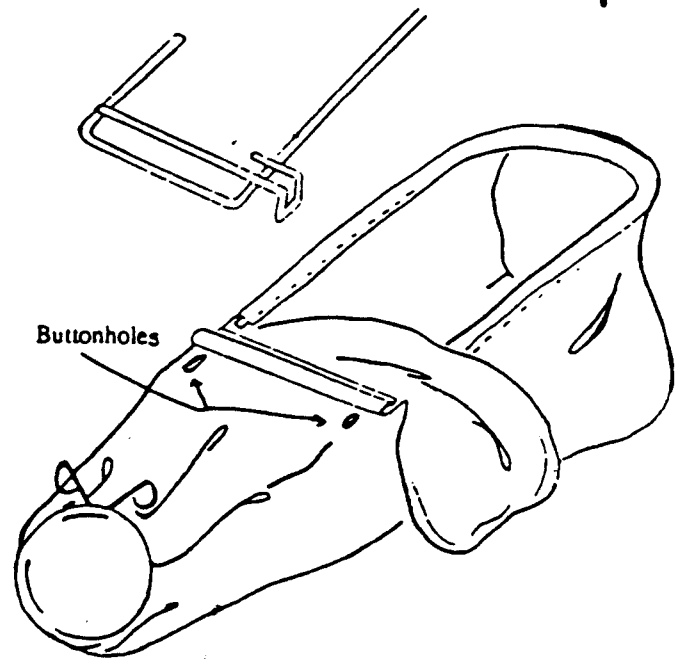
Attach Chute Mounting bracket w/Wire (B) to Plastic Chute (A) using 2 ea. 1/4-20 x 1/2" THMS (H) and 2 ea. 1/4-20 Locknuts (I). Insert 1/4-20 x 1/2" THMS (H) from inside of Plastic Chute (A), up through holes in Plastic Chute (A) and Chute Mounting bracket w/Wire (B). Secure with 1/4-20 Locknuts (I) on top of Chute Mounting Bracket (B). Tighten securely.

3



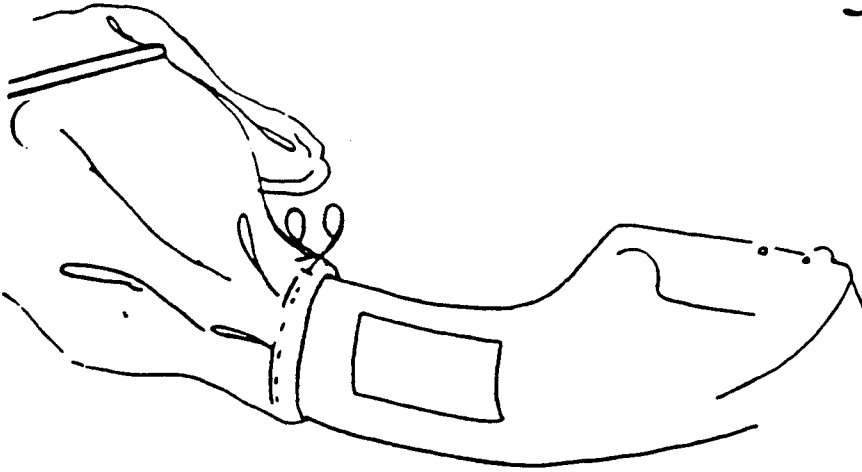
Hook Chute Mounting Bracket w/Wire (B) over deck bracket on lawnmower. When in place, Wire will hold deflector shield up. LEAVE PLASTIC CHUTE (A) ON MOWER DECK.

4



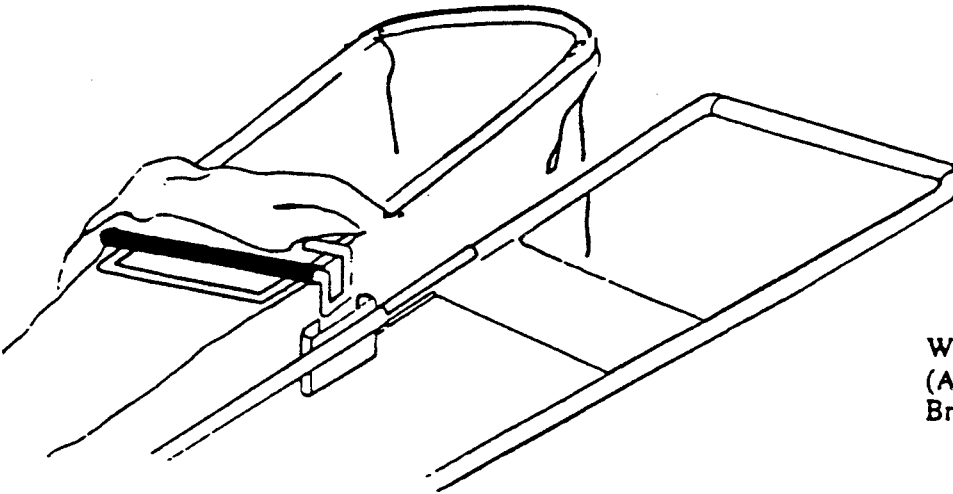
Ends of Bag Frame (D) must be inserted through buttonholes in bag first and then ends of hairpin (sewn in bag) can be pushed on as far as possible. Attach plastic extrusion to first horizontal bar on bag frame (D).

5



Attach Bag (E) to Plastic Chute (A). Squeeze Clamp Ring (G) and slide bag onto Plastic Chute (A), making sure Bag goes over ridge on Plastic Chute (A). Release Clamp Ring (G), and Bag will fit securely on Plastic Chute (A).

6



With Bag still attached to Plastic Chute (A), slide Bag Frame (E) into Handle Bracket (C) on lawnmower handle bag.

#### TO DUMP CLIPPINGS:

Shut off Mower. Open Flip Lid. Squeeze Clamp Ring and remove bag from Plastic Chute. While holding mouth of bag, using the same hand grasp handle on bag frame. With other hand, grasp bag at hairpin and lift off the handle bracket. When dumping, use handle on bottom of bag.

If Plastic Chute clogs, shut off mower and remove bag from plastic chute. Allow bag to remain attached to handle bracket. Remove plastic chute and unclog, dumping clippings into bag. Reassemble and continue cutting.

#### WARNING:

DO NOT OPERATE MOWER UNLESS BAG IS ATTACHED TO PLASTIC CHUTE. IF YOU ARE NOT USING GRASS CATCHER, PLASTIC CHUTE MUST BE REMOVED FROM MOWER TO ALLOW DEFLECTOR SHIELD TO RETURN TO PROPER POSITION.