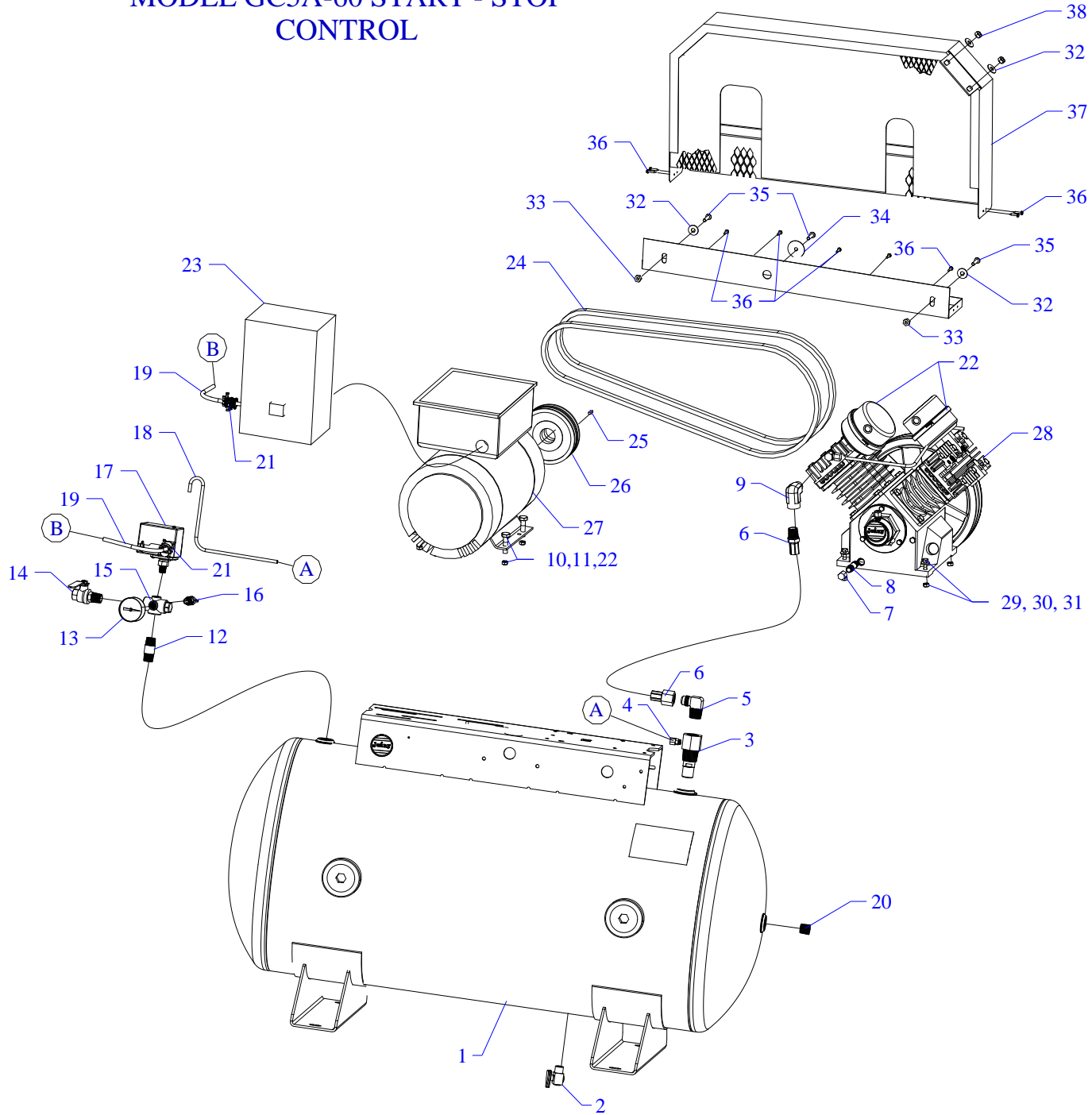


MODEL GC5A-60 START - STOP CONTROL



Parts List for Model GC5A-60 Single & Three Phase

NOTE: The quantity number indicates the total number of pieces required for a complete unit repair.

When ordering parts give compressor model, serial number and part number. Order assemblies when possible.

| <u>REF. NO.</u> | <u>PART NO.</u> | <u>DESCRIPTION</u> | <u>QTY.</u> |
|-----------------|-----------------|--|-------------|
| 1 | 411-1065 | TANK,HRZNTL,60G,UNB,F&K&GE,H60U-2 | 1 |
| 2 | 141-1077 | VALVE,BALL,LEVER,1/4 TURN,1/4"M X 1/4"F | 1 |
| 3 | 141-1036 | VALVE,CHECK,INSERT,3/4"M X1/2"F,W/1/8"PT | 1 |
| 4 | 121-1025 | CONNECTOR,MALE,COMPRESSION,BR,1/4TBX1/8" | 1 |
| 5 | 121-1021 | ELBOW,BRASS,MALE,45DEG,5/8-45SAEX1/2"NPT | 1 |
| 6 | 360-1172 | AFTERCOOLER,HOSE,SS,TEFLON,5/8"ODX22-1/2 | 1 |
| 7 | 122-1084 | CAP,FEMALE,MI,3/8"NPT | 1 |
| 8 | 122-1037 | NIPPLE,STEEL,SCH 40,3/8" X 2" L | 1 |
| 9 | 122-1174 | ELBOW,STREET,MI,PLTD,90 DEG,1/2"NPT | 1 |
| 10 | 120-1018 | SCREW,FLANGE,HEX,SERR,ST,PLD,5/16-18X3/4 | 4 |
| 11 | 120-1119 | NUT,LOCK,FLANGE,HEX,SERR,ST,PLTD,5/16-18 | 4 |
| 12 | 122-1088 | NIPPLE,STEEL,SCH 80,PLATED,1/2" X 2" | 1 |
| 13 | 142-1000 | GAUGE,PSI,200#,BK MT,JENNY,2",1/4NPT,PG2 | 1 |
| 14 | 141-1078 | VALVE,BALL,OUTLET,1/4 TURN,1/2"M X 1/2"F | 1 |
| 15 | 220-1121 | BLOCK,MANIFOLD,ZINC,5 HOLE,TAPPED,MC-5 | 1 |
| 16 | 141-1014 | VALVE,SAFETY,ASME,1/4",165 PSI,SVU165 | 1 |
| 17 | 140-1074-01 | SWITCH,PSI,2HP,100-125#,UNLDR&LVR,PBVL | 1 |
| 18 | 610-1090 | TUBE,CONTROL,COPPER,W/SLEEVE,1/4"X39"LG | 1 |
| 19 | 123-1003 | WIRE,ASSY,BX,14/2,WITH GROUND | 2FT |
| 20 | 122-1047 | PLUG,SOCKET,HEX,ST,PLTD,1/2" NPT | 1 |
| 21 | 123-1029 | CONNECTOR,ROMEX,CLAMP,STRAIGHT,3/8" | 2 |
| 22 | 320-1121 | FILTER,W/DECALS,ASSY,G154S | 2 |
| 23 | 330-1028 | MAG STR, 40A 1P 200/208/230V,MGSD-1-230 | 1 |
| | 140-1028-E65 | OVERLOAD,HEATER,STARTER,MAGNETIC,E65 | 1 |
| 24 | 154-4L650 | BELT,VEE,A63,4L-650 | 2 |

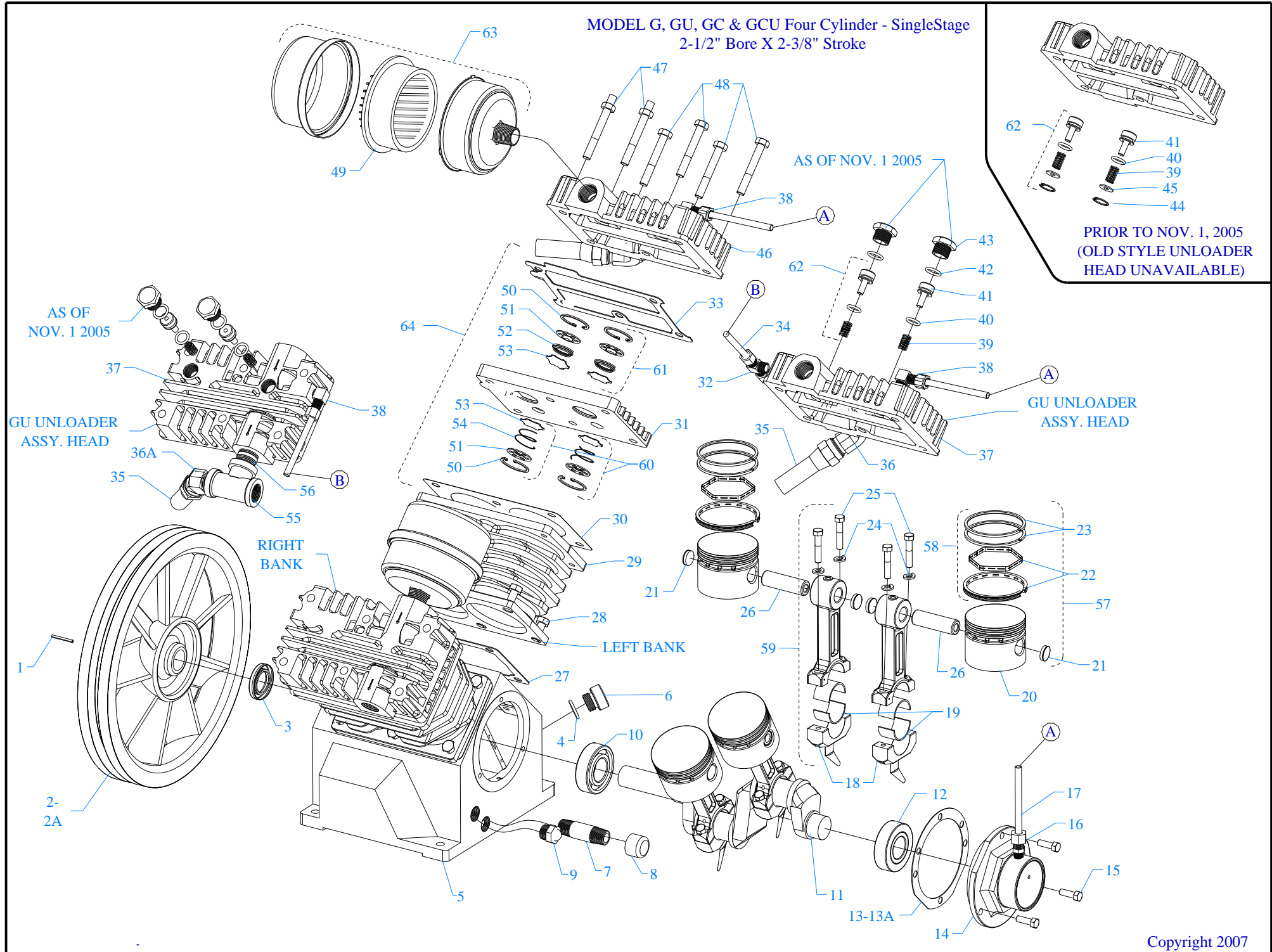
Parts List for Model GC5A-60 Single & Three Phase

NOTE: The quantity number indicates the total number of pieces required for a complete unit repair.

When ordering parts give compressor model, serial number and part number. Order assemblies when possible.

| <u>REF. NO.</u> | <u>PART NO.</u> | <u>DESCRIPTION</u> | <u>QTY.</u> |
|-----------------|-----------------|---|-------------|
| 25 | 120-1194 | KEY,STEEL,BLACK,1/4X1/4X1-1/2 | 1 |
| 26 | 154-1228 | PULLEY,CI,DG,8.0PDA,1-1/8ID,2AK84X1-1/8 | 1 |
| 27 | 130-1026 | MOTOR,5HP,230/60/1,1735RPM,ODP | 1 |
| 27* | 130-1027 | MOTOR,5HP,200/60/1,1745RPM,ODP | 1 |
| 27** | 130-1029 | MOTOR,5HP,230/460/3,1750RPM,ODP | 1 |
| 27*** | 130-1028 | MOTOR,5HP,200/60/3,1740RPM,ODP | 1 |
| 28 | 421-1821 | PUMP,CMPSR,PISTON,REPLCMT,BLUE,GC | 1 |
| 29 | 120-1070 | WASHER,FLAT,STEEL,PLATED,SAE,1/4" | 4 |
| 30 | 120-1220 | SCREW,CAP,HEXHD,GR5,ST,PLD,1/4-20X1-3/4 | 4 |
| 31 | 120-1116 | NUT,LOCK,FLANGE,HEX,SERR,ST,PLTD,1/4-20 | 4 |
| 32 | 120-1075 | WASHER,FLAT,STEEL,PLATED,5/16 | 4 |
| 33 | 120-1116 | NUT,LOCK,FLANGE,HEX,SERR,ST,PLTD,1/4-20 | 2 |
| 34 | 120-1072 | WASHER,FENDER,ST,PLATED,1/4"X1-1/2"OD | 1 |
| 35 | 120-1267 | SCREW,PAN HD,PHIL,STEEL,PLTD,1/4-20 X 1" | 3 |
| 36 | 120-1177 | SCREW,SELF DRILL,HEX,ST,PL,12 X 3/4 | 9 |
| 37 | 320-1179 | BELTGUARD,G&GC,W/PAN,3.38WX14.63HX28LG | 1 |
| 38 | 120-1119 | NUT,LOCK,FLANGE,HEX,SERR,ST,PLTD,5/16-18 | 2 |
| NOT SHOWN | 610-1225 | KIT,ELEMENT,FILTER,G54E,PKG OF 4,G54EP | 1 |
| NOT SHOWN | 105-1209 | OIL,PUMP,SYNTHETIC,BLUE,1 QUART,ESQ | 1 |
| NOT SHOWN | 330-1022 | MAG STR,25A,3P,200/208/230V,MGSA-3-230 | 1 |
| | 140-1028-E60 | OVERLOAD,HEATER,STARTER,MAGNETIC,E60 "230V" | 3 |
| | 140-1028-E61 | OVERLOAD,HEATER,STARTER,MAGNETIC,E61 "200V" | 3 |
| NOT SHOWN | 330-1022-02 | BM GRP MAG STARTER MGSA 5HP-3-460 25A | 1 |
| | 140-1028-E50 | OVERLOAD,HEATER,STARTER,MAGNETIC,E50 | 3 |

MODEL G, GU, GC & GCU Four Cylinder - SingleStage
2-1/2" Bore X 2-3/8" Stroke



Parts List for Model G, MG, GU, MGU, GC, & GCU Assembly

NOTE: The quantity number indicates the total number of pieces required for a complete unit repair.

When ordering parts give compressor model, serial number and part number. Order assemblies when possible.

| <u>REF. NO.</u> | <u>PART NO.</u> | <u>DESCRIPTION</u> | <u>QTY.</u> |
|-----------------|-----------------|--|-------------|
| 1 | 120-1163 | PIN,ROLLED,COILED,STL,BLK,1/4ODX1L,K25 | 1 |
| 2 | 220-1095 | FLYWHEEL,G PUMP,CI,10-3/8,2 GROOVE,L23A | 1 |
| 2A | 220-1090 | FLYWHEEL,GT PUMP,CI,13-1/4,2 GROOVE,G23 | 1 |
| 3 | 150-1036 | SEAL,OIL,LIP,SINGLE,0.875 DIA,K11E | 1 |
| 4 | 104-1016 | RING,O,BUNA-N,5/8"IDX13/16"ODX3/32"THK | 1 |
| 5 | 220-1034 | CRANKCASE,Y PUMP,CI,MACHINED,Y1A | 1 |
| 6 | 610-1029 | PLUG,CRANKCASE,FILL,OIL,W/O-RING,K14 | 1 |
| 7 | 122-1037 | NIPPLE,STEEL,SCH 40,3/8" X 2" L | 1 |
| 8 | 122-1084 | CAP,FEMALE,MI,3/8"NPT | 1 |
| 9 | 160-1052 | GAUGE,SIGHT,LEVEL,OIL,1/2"NPT | 1 |
| 10 | 150-1000 | BEARING,BALL,K9 | 1 |
| 11 | 220-1079 | CRANKSHAFT,G PUMP,CI,MACHINED,D20 | 1 |
| 12 | 150-1008 | BEARING,BALL,L9 | 1 |
| 13 | 104-1000-01 | GASKET,CAP,BEARING,F&K&G PUMP,1/32THK,L3 | 1 |
| 13A | 104-1000-02 | GASKET,CAP,BEARING,F&K&G PUMP,1/64THK,L4 | 1 |
| 14 | 220-1076 | CAP,BEARING,D PUMP,CI,MACHINED,D2 | 1 |
| 15 | 120-1004 | SCREW,CAP,HEXHD,GR5,ST,BLK,1/4-20X3/4 | 3 |
| 16 | 121-1025 | CONNECTOR,MALE,COMPRESSION,BR,1/4TBX1/8" | 1 |
| 17 | 610-1137 | TUBE,BREATHER,CU,BENT,MGU&GCU>U,L18 | 1 |
| 18 | 310-1043 | ROD,CONNECTING,W/BEARNG INSERT,L21L&L21K | 4 |
| 19 | 150-1011 | BEARING,ROD,CONNECTING,PUMP,F,K,G | 8 |
| 20 | 220-1005 | PISTON,PUMP,ALUMINUM,MACHINED,K32 | 4 |
| 21 | 104-1103 | BUMPER,WRIST PIN,PLASTIC,K36A | 8 |

Parts List for Model G, MG, GU, MGU, GC, & GCU Assembly

NOTE: The quantity number indicates the total number of pieces required for a complete unit repair.

When ordering parts give compressor model, serial number and part number. Order assemblies when possible.

| <u>REF. NO.</u> | <u>PART NO.</u> | <u>DESCRIPTION</u> | <u>QTY.</u> |
|-----------------|-----------------|--|-------------|
| 22 | 610-1065 | KIT,RING,OIL,W/EXPANDER,ASSY,K34 | 4 |
| 23 | 150-1003 | RING,COMPRESSION,PISTON,STEEL,EBA 22,K33 | 8 |
| 24 | 120-1068 | WASHER,LOCK,SPLIT,ST,BLK,HIGH CLLR,1/4" | 8 |
| 25 | 120-1010 | SCREW,CAP,HEXHD,GR5,ST,BLK,1/4-20X1-1/4 | 8 |
| 26 | 150-1005 | PIN,PISTON,STEEL,HARDENED,K35 | 4 |
| 27 | 104-1006 | GASKET,CYLINDER,K&G&W PUMP,1/32THK,K31 | 2 |
| 28 | 120-1017 | SCREW,CAP,HEXHD,GR5,ST,BLK,5/16-18X3/4 (15FT-LB) | 12 |
| 29 | 360-1150 | CYLINDER,K PUMP,CI,PAINTED,BLUE,K30 | 2 |
| 30 | 104-1007 | GASKET,PLATE,VALVE,K&G&W PUMP,1/32TK,L41 | 2 |
| 31 | 220-1013 | PLATE,VALVE,L PUMP,CI,MACHINED,L40 | 2 |
| 32 | 121-1039 | TEE,BRANCH,BRASS,1/4"TBX1/4"TBX1/8"NPTM | 1 |
| 33 | 104-1008 | GASKET,HEAD,K&G&W PUMP,1/32THK,L51 | 2 |
| 34 | 610-1121 | TUBING,UNLOADER,HEAD-HEAD,MGU PUMP,LU88 | 1 |
| 35 | 610-1334 | TUBE,MANIFOLD,COPPER,G,W/NUT,5/8,MS,MG59 | 1 |
| 36 | 121-1015 | ELBOW,MALE,BRASS,5/8-45SAEX1/2"NPTM | 1 |
| 36A | 121-1021 | ELBOW,BRASS,MALE,45DEG,5/8-45SAEX1/2"NPT | 1 |
| 37 | 310-1008 | HEAD,UNLOADING,K&G,W/1/2"PRT 7 HLE,LU180 | 2 |
| 38 | 121-1032 | ELBOW,MALE,COMPRESSION,BR,1/4TBX1/8"NPTM | 2 |
| 39 | 150-1020 | SPRING,VALVE,UNLOADER,INTAKE, KU83 | 4 |
| 40 | 104-1020 | RING,O,SILICON,7/16"IDX5/8"ODX3/32"THK | 4 |
| 41 | 150-1028 | PISTON,UNLOADER,VALVE,BRASS,KU81 | 4 |
| 42 | 104-1015 | RING,O,BUNA-N,1/2"IDX11/16"ODX3/32"THK | 4 |
| 43 | 122-1051 | PLUG,HEX ,BRASS,11/16-16 UN-2B X .550 | 4 |

Parts List for Model G, MG, GU, MGU, GC, & GCU Assembly

NOTE: The quantity number indicates the total number of pieces required for a complete unit repair.

When ordering parts give compressor model, serial number and part number. Order assemblies when possible.

| <u>REF. NO.</u> | <u>PART NO.</u> | <u>DESCRIPTION</u> | <u>QTY.</u> |
|-------------------|-----------------|---|-------------|
| 44 | 120-1167 | RETAINER,INTERNAL,ST,0.035X 0.665,KU85 | 4 |
| 45 | 150-1042 | WASHER,BRASS,1/32X 0.605ODX1/4 ID,KU84 | 4 |
| 46 | 310-1004 | HEAD,START/STOP,G PUMP,REPLACEMNT,L50 | 1 |
| 47 | 120-1252 | BOLT,STUD,HEX,ST,5/16-18X2-1/4X5/8,K52-1 | 2 |
| 48 | 120-1028 | SCREW,CAP,HEXHD,GR5,ST,BLK,5/16-18X2-1/4 | 10 |
| 49 | 150-1104 | ELEMENT,FILTER,AIR,COMPRESSOR,JENNY,G54E | 2 |
| 50 | 150-1041 | RETAINER,VALVE,STEEL,PAS,0.062"THK,K43 | 8 |
| 51 | 109-1010 | VALVE,BUMPER,STEEL,K44 | 8 |
| 52 | 150-1018 | SPRING,CONE,SS,VALVE,DISCHARGE,K46 | 4 |
| 53 | 109-1011 | VALVE,DISC,STAINLESS STEEL,K47 | 8 |
| 54 | 150-1017 | SPRING,CONE,SS,VALVE,INTAKE,K45 | 4 |
| 55 | 122-1060 | TEE,FEMALE,MI,PLTD,1/2"NPT | 1 |
| 56 | 122-1042 | NIPPLE,CLOSE,STEEL,SCH 80,1/2"NPTM | 1 |
| Assemblies | | | |
| 57 | 610-1028 | PISTON,W/RINGS&PIN,ASSY,K132 INCLUDES 20, 21(2), 22, 23, 26 | 4 |
| 58 | 610-1020 | KIT,PUMP,RING,PISTON,F&K&G&W PUMP,K133 INCLUDES 22(2), 23(4) | 2 |
| 59 | 610-1411 | ROD,CONNECTING,W/BEARNG INSERT,L21L&L21K INCLUDES 18, 19(2), 24(2), 25 | 4 |
| 60 | 610-1031 | VALVE,SUCTION,ASSY,K145 INCLUDES 50, 51, 53, 54 | 4 |
| 61 | 610-1032 | VALVE,DISCHARGE,ASSY,K146 INCLUDES 50, 51, 52, 53 | 4 |
| 62 | 610-1042 | VALVE,UNLOADER,HEAD,PUMP,ASSY, KU181 INCLUDES 39, 40, 41, 44, 45 | 4 |
| 63 | 320-1121 | FILTER,W/DECALS,ASSY,G154S | 2 |

Parts List for Model G, MG, GU, MGU, GC, & GCU Assembly

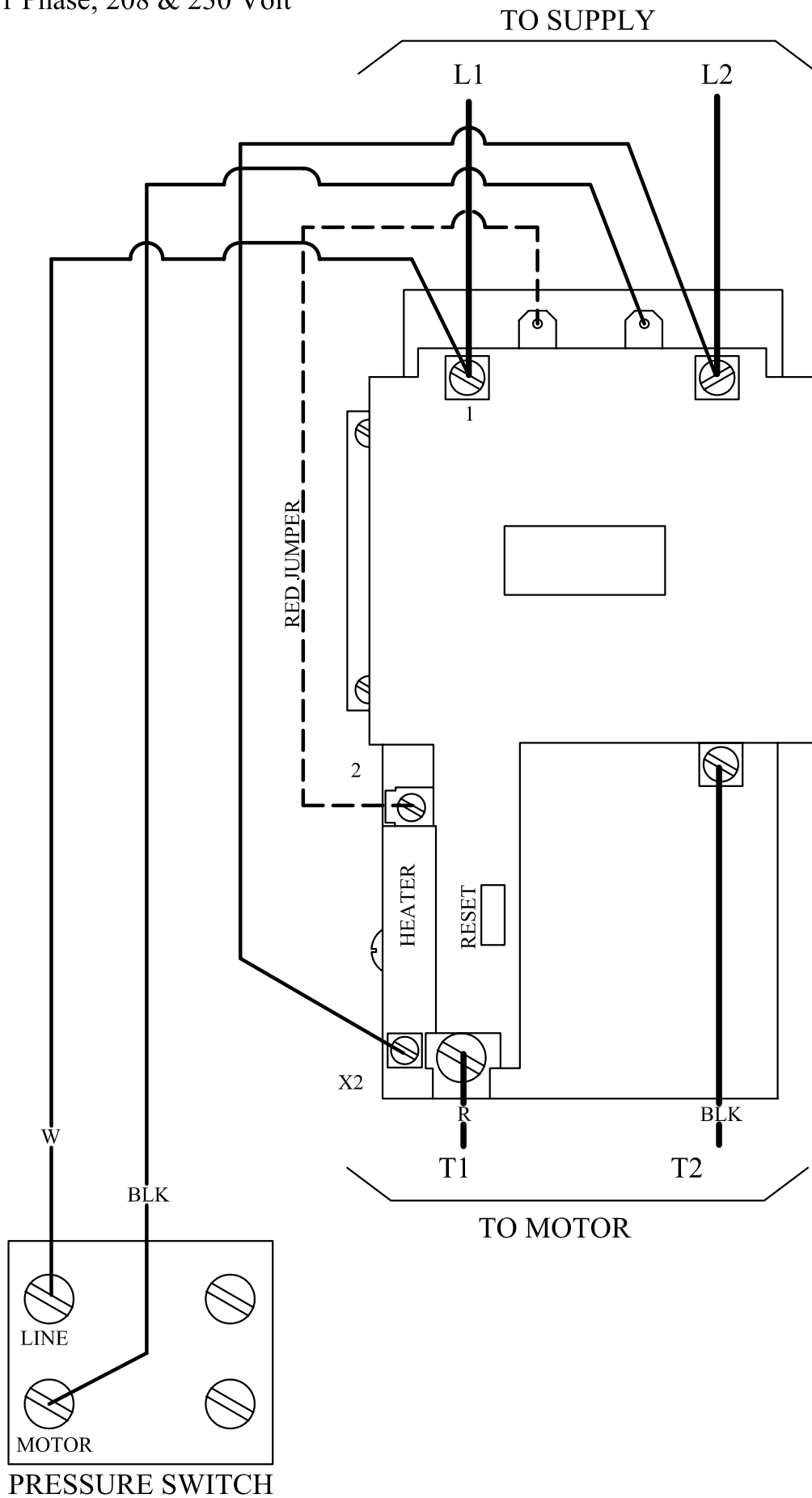
NOTE: The quantity number indicates the total number of pieces required for a complete unit repair.

When ordering parts give compressor model, serial number and part number. Order assemblies when possible.

| <u>REF. NO.</u> | <u>PART NO.</u> | <u>DESCRIPTION</u> | <u>QTY.</u> |
|-----------------|-----------------|--|-------------|
| 64 | 610-1045 | PLATE,VALVE,W/VALVES,ASSY,L140 INCLUDES 30, 31, 33, 60(2), 61(2) | 2 |
| 65 | 610-1044 | KIT,GASKET,L PUMP,ASSY,L100 13, 13A, 27(2), 30(2), 33(2) | 1 |
| 66 | 610-1298 | KIT,BASIC,REPAIR,G PUMP,G101 INCLUDES 49(2), 58(2), 60(4), 61(4), 65 | 1 |
| NOT SHOWN | 610-1297 | KIT,BASIC,REPAIR,GU&GCU PUMP,GU101 INCLUDES 49(2), 58(2), 60(4), 61(4), 62(4), 65 | 1 |
| NOT SHOWN | 105-1209 | OIL,PUMP,SYNTHETIC,BLUE,1 QUART,ESQ | 1 |
| NOT SHOWN | 610-1226 | KIT,FILTER,ASSY,G154,PKG OF 4,G154P | 1 |
| NOT SHOWN | 610-1186 | KIT,ELEMENT,FILTER,L54E,PKG OF 4,L54EP | 1 |
| NOT SHOWN | 150-1010 | ELEMENT,FILTER,AIR,COMPRESSOR,JENNY,L54E | 1 |

MAGNETIC STARTER WIRING DIAGRAM

1 Phase; 208 & 230 Volt



MAGNETIC STARTER WIRING DIAGRAM

3 Phase; 208, 230, & 460 VOLT

