

SHOWN FOR  
REFERENCE ONLY

23 ORIENT WITH VENTS DOWNWARD AS SHOWN

24

25 TORQUE TO 204-264 IN-LBS

26

TORQUE TO 120-144 IN-LBS

28

29

30

27 TORQUE UNTIL THREADS RUN OUT

31

32

33 TORQUE TO 60-70 IN-LBS

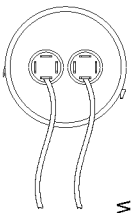
34

36

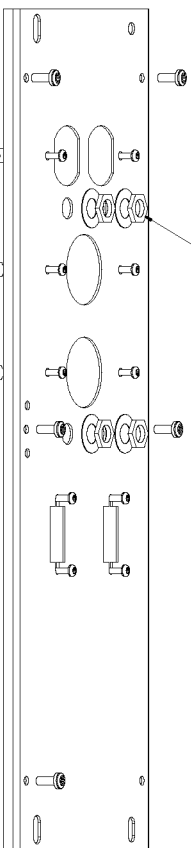
BOLT FLANGES TO PARALLEL  
WITH ENGINE BASE

TORQUE TO 30-40 IN-LBS

SHOWN FOR  
REFERENCE ONLY



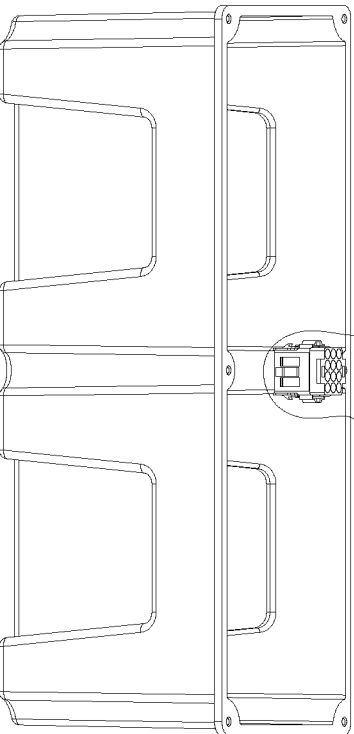
CAPACITOR WIRING



TORQUE 15-25 IN-LBS

ATTACH SPEED CLIP  
PRIOR TO ASSEMBLY  
OF DEVICES  
TO FACE PLATE

WIRING HARNESS PIN PLUG TO  
BE SNAPPED INTO OPENING  
INSIDE REAR COVER



## Parts List for GBV7000 Type 0

Item Number	Part Number	Description	Qty Required
1	SSF-990	SCREW .250-20X1.25 U	1
2	000000-00	No Longer Available	1
3	GS-0443	CAP FUEL TANK	1
4	000000-00	No Longer Available	1
5	000000-00	No Longer Available	1
6	GS-0077	COVER END BLANK	1
7	000000-00	No Longer Available	1
8	Z-A14582	HOSE FUEL	1
9	GS-0227	CLAMP FUEL .50	1
10	95829230	SCREW .313-18X1.50 H	1
11	000000-00	No Longer Available	1
12	GS-0117	LUG GROUND	1
13	95829230	SCREW .313-18X1.50 H	1
14	000000-00	No Longer Available	1
15	SS-12-CD	SCREW .313-18X.750 H	1
16	GS-0118	STRAP GROUND	1
17	N017772	LOCK WASHER	1
18	SSF-8150	NUT .312-18 UNC HEX	1
19	000000-00	No Longer Available	1
19	GS-0033	ISOLATOR VIBRATION 1	1
20	91895680	SCREW .250-20X.750 H	1
21	GS-0437	DRAIN COCK	1
22	N103455	GROMMET	1
23	000000-00	No Longer Available	1
24	SSN-619	WASHER .375 SPRING L	1
25	5140125-93	SCREW	1
26	000000-00	No Longer Available	1

## Parts List for GBV7000 Type 0

Item Number	Part Number	Description	Qty Required
26	D29822	KIT SERVICE FOCUS MO	1
27	GS-0273	BOLT STATOR THRU 207	1
28	000000-00	No Longer Available	1
28	D29822	KIT SERVICE FOCUS MO	1
29	330016-13	WASHER	1
30	SSF-576	NUT .313-24 HEX W/KE	1
31	GS-0274	BOLT ROTOR THRU 207L	1
32	000000-00	No Longer Available	1
33	SSF-575	NUT .250-20 HEX W/KE	1
34	GS-0573	CAPACITOR 35UF 440V	1
35	000000-00	No Longer Available	1
36	GS-0019	RECEPTACLE 120V 20A	1
37	GS-0021	RECEPTACLE 125V 30A	1
39	GS-0026	BREAKER CIRCUIT 125/	1
40	GS-0045	SWITCH FULL POWER	1
41	GS-0046	SWITCH OFF - ON / ST	1
856	000000-00	No Longer Available	1
856	000000-00	No Longer Available	1
856	000000-00	No Longer Available	1
856	GS-0082	DIODE DSA	1
856	GS-0862	O-RING ROTOR BEARING	1
856	000000-00	No Longer Available	1