

Batt-Oper Drill - 0 601 933 334 - GBM 9,6 VSP-3

www.powertools-aftersaleservice.com

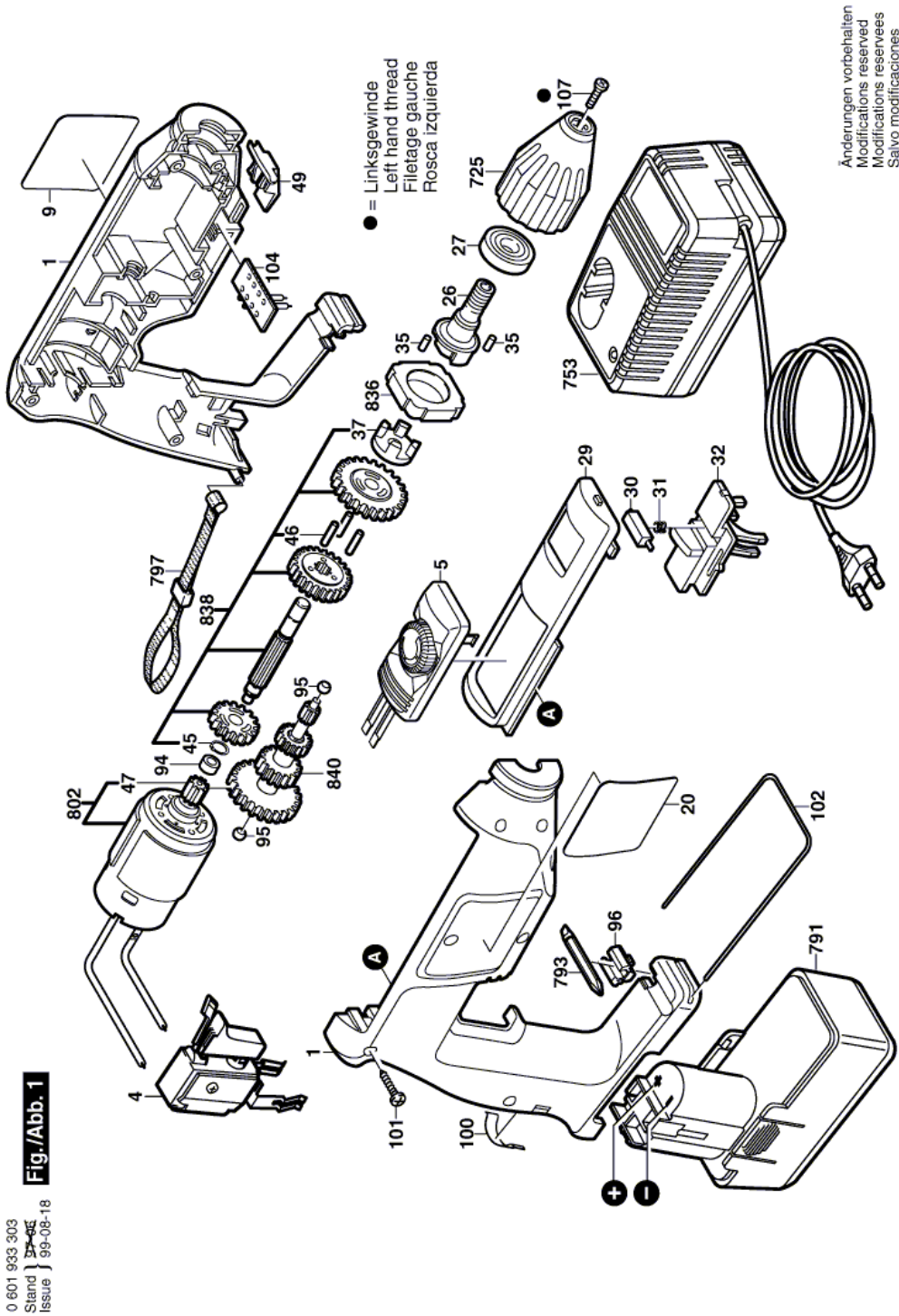


BOSCH

Item	Part Number	Description	Illustration	Price	Quantity	Price Group
1	2 605 104 398	Handle Cover BLUE	1	-,-	1	28
4	2 607 200 320	On-Off Switch	1	-,-	1	41
5	2 607 233 030	Torque Control	1	-,-	1	28
9	2 601 118 357	Manufacturer's nameplate SUNNY SIDE	1	-,-	1	12
20	2 601 118 358	Reference Plate SHADOW SIDE	1	-,-	1	12
26	2 606 135 055	Drilling Spindle 3/8"	1	-,-	1	23
27	1 900 905 120	Deep-Groove Ball Bearing 10x26x8	1	-,-	1	22
29	2 605 510 119	Insert Piece BLACK	1	-,-	1	16
30	2 601 099 035	Stop RED	1	-,-	1	16
31	2 604 619 012	Compression Spring	1	-,-	1	11
32	2 601 099 036	Adjusting Slide	1	-,-	1	12
35	2 602 329 024	Roller Body	1	-,-	2	11
37	2 606 440 003	Carrier	1	-,-	1	15
45	2 916 640 005	Spring retaining ring DIN 471-8x0,8 FSt	1	-,-	1	10
46	2 603 101 041	Needle Roller	1	-,-	3	11
47	2 606 316 138	Pinion Z=11	1	-,-	1	15
49	2 605 510 117	Insert Piece BLACK	1	-,-	1	11
94	2 600 301 011	Sintered-Metal Bushing	1	-,-	1	11
95	2 600 302 002	Sintered-Metal Bushing	1	-,-	2	11
96	2 608 040 131	Support	1	-,-	1	12
100	2 601 322 016	Clamp Spring	1	-,-	1	14
101	2 603 490 022	Torx Oval-Head Screw 4x16	1	-,-	6	10
102	2 601 329 041	Retaining Bracket	1	-,-	1	11
104	2 608 018 004	Contact retainer	1	-,-	1	16
107	2 609 110 721	Countersunk-Head Screw M5x20	1	-,-	1	11
108	2 602 180 001	Support	N/A	-,-	1	11
725	2 608 572 214	Keyless Chuck	1	-,-	1	38
753	2 607 224 431	Fast Charger USA 120/7,2-24V, 1h	1	-,-	1	48
753	2 607 224 708	Fast Charger USA 120/7,2-14,4V, 30 MIN.	1	-,-	1	-
791	2 607 336 143	Slide-In Accu Package 9,6V, 1,5 Ah, NiCd	1	-,-	1	41
793	2 608 521 018	Screwdriver Blade	1	-,-	1	18
797	2 601 398 009	Carrying Loop	1	-,-	1	-
802	2 607 022 914	DC motor 9,6-12V	1	-,-	1	35

Item	Part Number	Description	Illustration	Price	Quantity	Price Group
836	2 600 202 025	Ring	1	-,-	1	18
838	2 606 100 917	Jack Shaft Z= 42/53/67	1	-,-	1	31
840	2 606 100 918	Intmd. Transmission Hsg Z= 66/35/24/10	1	-,-	1	28
899	0 601 933 327	Cordless Drill BATTERY WITHOUT CHARGER	N/A	-,-	1	-

Illustration - Type E



Information subject to change without further notice.