

Cordless Drill - 0 601 938 6B5 - GBM 9,6 VES-2

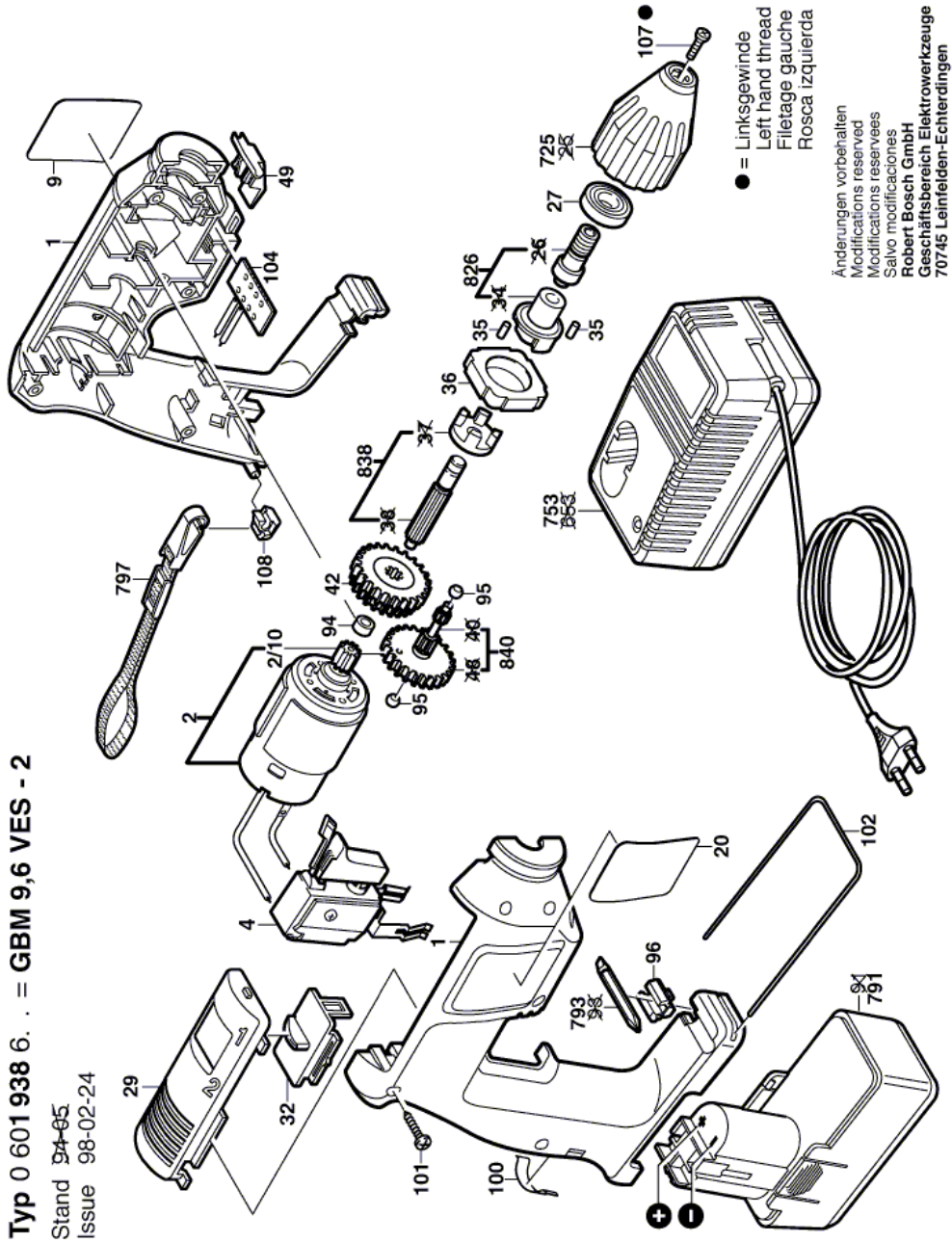
www.powertools-aftersaleservice.com



BOSCH

Item	Part Number	Description	Illustration	Price	Quantity	Price Group
1	2 605 104 497	Housing Section BLUE	1	-,-	1	27
2	2 607 022 928	DC motor 9,6-12V	1	-,-	1	36
2/10	2 606 316 112	Pinion Z=11	1	-,-	1	16
4	2 607 200 393	On-Off Switch	1	-,-	1	39
9	2 601 118 760	Manufacturer's nameplate SUNNY SIDE	1	-,-	1	15
20	2 601 118 761	Reference Plate SHADOW SIDE	1	-,-	1	15
27	1 900 905 120	Deep-Groove Ball Bearing 10x26x8	1	-,-	1	22
29	2 605 510 136	Insert Piece BLACK	1	-,-	1	14
32	2 601 099 056	Adjusting Slide BLACK	1	-,-	1	11
35	2 602 329 024	Roller Body	1	-,-	2	11
36	2 600 202 025	Ring	1	-,-	1	18
42	1 609 340 007	Set Of Gears Z=58/67	1	-,-	1	30
49	2 605 510 117	Insert Piece BLACK	1	-,-	1	11
94	2 600 301 011	Sintered-Metal Bushing	1	-,-	1	11
95	2 600 302 013	Sintered-Metal Bushing	1	-,-	2	14
96	2 608 040 131	Support	1	-,-	1	12
100	2 601 322 016	Clamp Spring	1	-,-	1	14
101	2 603 490 022	Torx Oval-Head Screw 4x16	1	-,-	6	10
102	2 601 329 041	Retaining Bracket	1	-,-	1	11
104	2 608 018 004	Contact retainer	1	-,-	1	16
107	2 609 110 721	Countersunk-Head Screw M5x20	1	-,-	1	11
108	2 602 180 001	Support	1	-,-	1	11
725	2 608 572 214	Keyless Chuck	1	-,-	1	38
753	2 607 224 431	Fast Charger USA 120/7,2-24V, 1h	1	-,-	1	48
753	2 607 224 708	Fast Charger USA 120/7,2-14,4V, 30 MIN.	1	-,-	1	-
791	2 607 335 149	Slide-In Accu Package 9,6V,2,0Ah,NiCd	1	-,-	1	48
793	2 608 521 018	Screwdriver Blade	1	-,-	1	18
797	2 601 398 009	Carrying Loop	1	-,-	1	-
826	2 606 135 917	Drilling Spindle 3/8"	1	-,-	1	29
838	2 606 309 914	Splined Shaft	1	-,-	1	23
840	1 609 340 005	Toothed Shaft Z=10/19/81	1	-,-	1	29
899	0 601 938 627	Cordless Drill BATTERY WITHOUT CHARGER	N/A	-,-	1	-

Illustration - Type E



Information subject to change without further notice.