

## Cordless Drill - 0 601 932 761 - GBM 7,2 VE-1

www.powertools-aftersaleservice.com



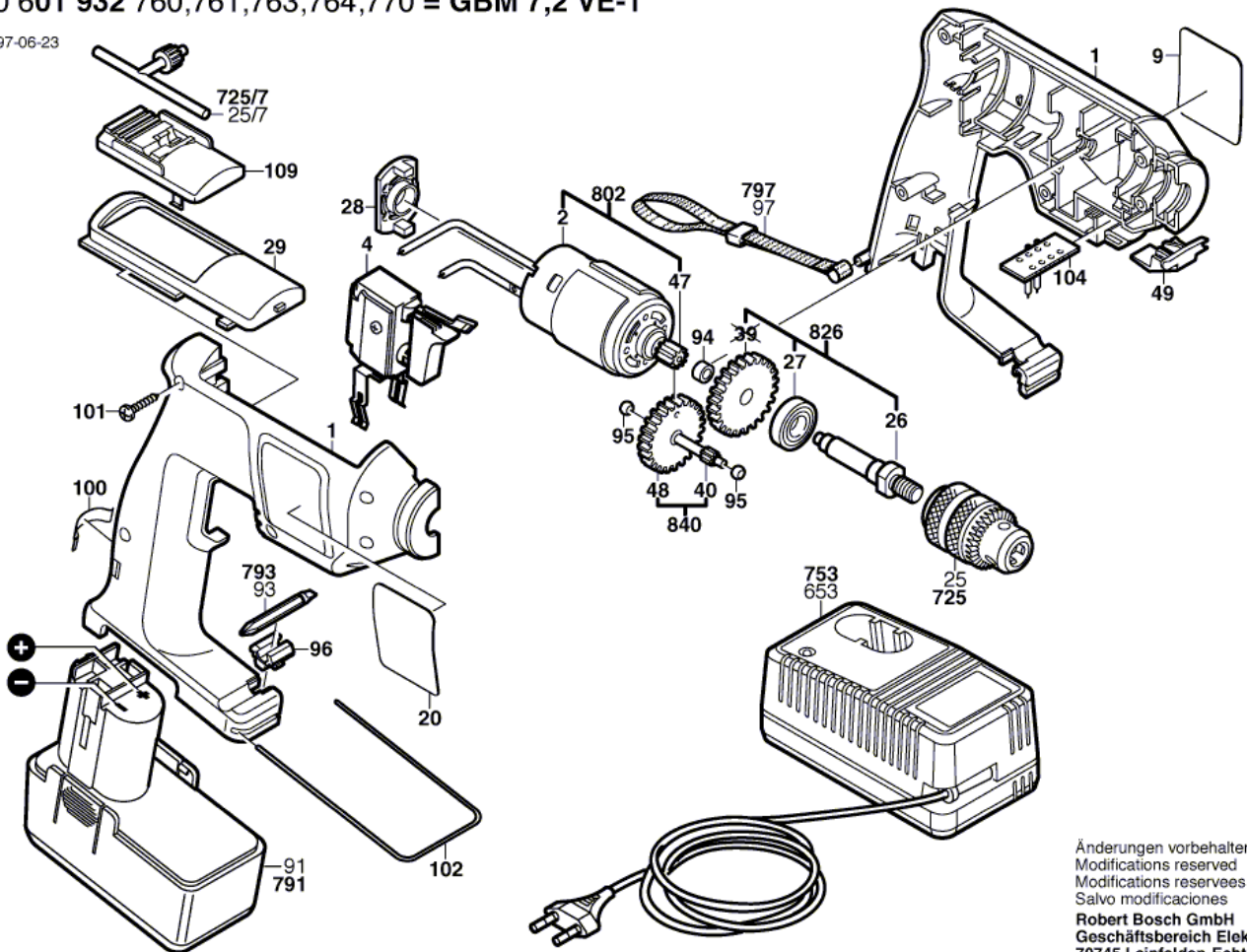
**BOSCH**

Item	Part Number	Description	Illustration	Price	Quantity	Price Group
1	2 605 104 402	Handle Cover BLUE	1	-,-	1	27
4	2 607 200 309	On-Off Switch	1	-,-	1	40
9	2 601 118 392	Manufacturer's nameplate SUNNY SIDE	1	-,-	1	13
20	2 601 118 393	Reference Plate SHADOW SIDE	1	-,-	1	13
27	1 900 905 120	groove ball bearing 10x26x8	1	-,-	1	22
28	2 605 719 007	Adapter Insert BLACK	1	-,-	1	11
29	2 605 510 115	Insert Piece BLACK	1	-,-	1	18
47	2 606 316 120	Pinion Z=14	1	-,-	1	20
48	2 606 316 119	Cylindrical Gear Z=63	1	-,-	1	22
49	2 605 510 117	Insert Piece BLACK	1	-,-	1	11
94	2 600 301 011	Sintered-Metal Bushing	1	-,-	1	11
95	2 600 302 002	Sintered-Metal Bushing	1	-,-	2	11
96	2 608 040 131	Support	1	-,-	1	12
100	2 601 322 016	Clamp Spring	1	-,-	1	14
101	2 603 490 022	Screw 4x16	1	-,-	5	10
102	2 601 329 041	Retaining Bracket	1	-,-	1	13
104	2 608 018 004	Contact retainer	1	-,-	1	18
108	2 602 180 001	Support	N/A	-,-	1	11
109	2 608 040 078	Toolholder	1	-,-	1	14
725	2 608 571 032	Key Chuck Ø 1-10 MM,3/8"	1	-,-	1	-
725/7	1 607 950 053	Chuck Wrench SG1, Ø5x80 MM	1	-,-	1	-
753	2 607 224 431	Fast Charger USA 120/7,2-24V, 1h	1	-,-	1	48
753	2 607 224 708	Fast Charger USA 120/7,2-14,4V, 30 MIN.	1	-,-	1	-
791	2 607 336 141	Slide-In Accu Package 7,2V,1,5Ah,NiCd	1	-,-	1	40
793	2 608 521 018	Screwdriver Blade	1	-,-	1	18
797	2 601 398 009	Carrying Loop	1	-,-	1	-
802	2 607 022 917	DC motor 7,2V	1	-,-	1	31
826	2 606 135 918	Drilling Spindle 3/8"	1	-,-	1	28
840	2 606 308 916	Intmd. Transmission Hsg Z= 12/63	1	-,-	1	28

NO Lubrication instructions available for this product

**Typ 0 601 932 760;761;763;764;770 = GBM 7,2 VE-1**

Stand } 97-06-23  
Issue }



Änderungen vorbehalten  
 Modifications reserved  
 Modifications reserves  
 Salvo modificaciones  
**Robert Bosch GmbH**  
 Geschäftsbereich Elektrowerkzeuge  
 70745 Leinfelden-Echterdingen

Information subject to change without further notice.