

Batt-Oper Drill - 0 601 938 061 - GBM 7,2 V-2

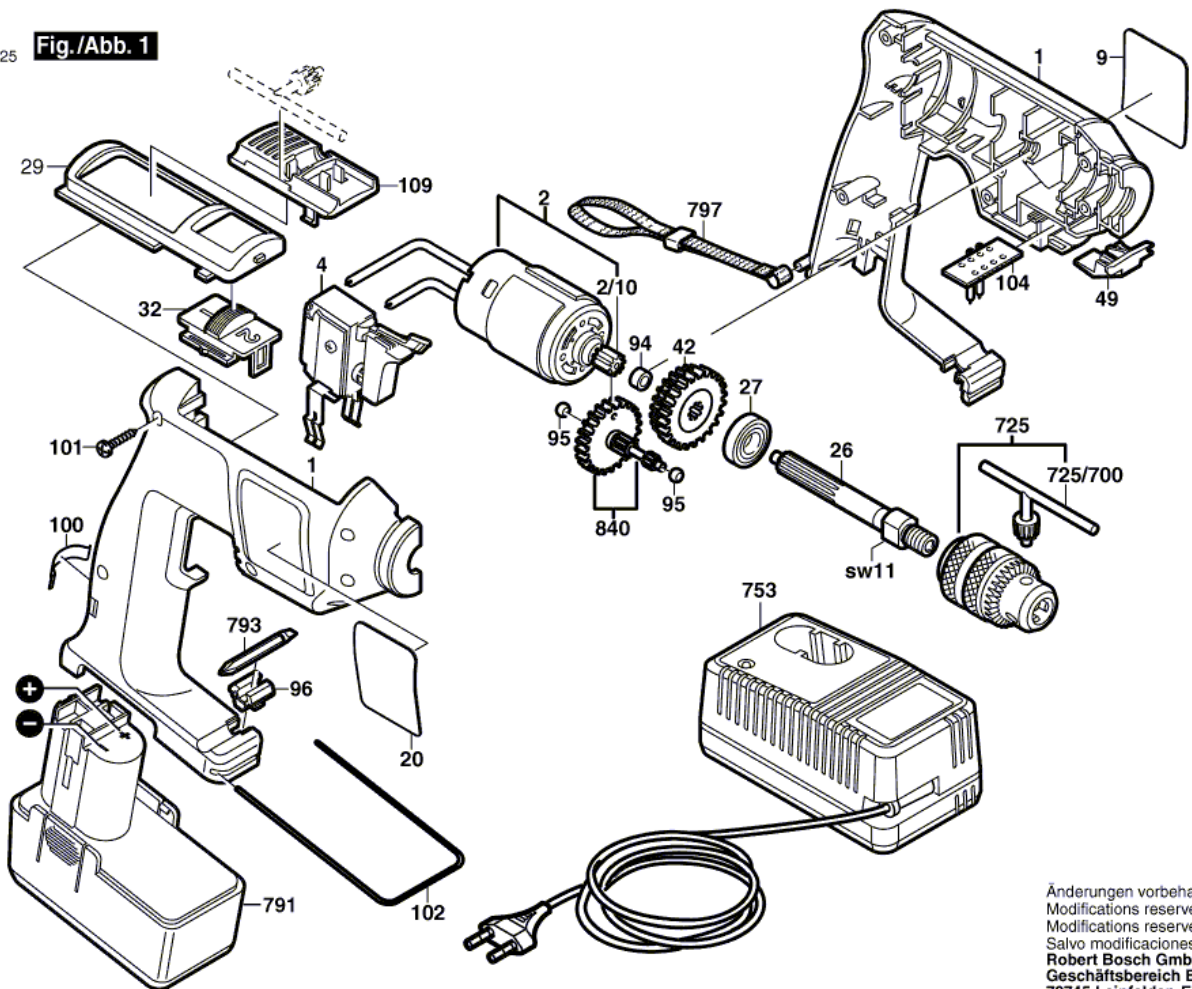
www.powertools-aftersaleservice.com



BOSCH

| Item | Part Number | Description | Illustration | Price | Quantity | Price Group |
|---------|---------------|---|--------------|-------|----------|-------------|
| 1 | 2 605 104 421 | Housing Section BLUE | 1 | -,- | 1 | 27 |
| 2 | 2 607 022 928 | DC motor 9,6-12V | 1 | -,- | 1 | 36 |
| 2/10 | 2 606 316 112 | Pinion Z=11 | 1 | -,- | 1 | 16 |
| 4 | 2 607 200 317 | On-Off Switch | 1 | -,- | 1 | 31 |
| 9 | 2 601 118 534 | Sticker SUNNY SIDE | 1 | -,- | 1 | - |
| 20 | 2 601 118 535 | Sticker SHADOW SIDE | 1 | -,- | 1 | - |
| 26 | 2 606 309 915 | Drilling Spindle 3/8" | 1 | -,- | 1 | 28 |
| 27 | 1 900 905 120 | groove ball bearing 10x26x8 | 1 | -,- | 1 | 22 |
| 29 | 2 605 510 137 | Insert Piece BLACK | 1 | -,- | 1 | 13 |
| 32 | 2 601 099 056 | Adjusting Slide BLACK | 1 | -,- | 1 | 11 |
| 42 | 1 609 340 007 | Set Of Gears Z=58/67 | 1 | -,- | 1 | 28 |
| 49 | 2 605 510 117 | Insert Piece BLACK | 1 | -,- | 1 | 11 |
| 94 | 2 600 301 011 | Sintered-Metal Bushing | 1 | -,- | 1 | 11 |
| 95 | 2 600 302 002 | Sintered-Metal Bushing | 1 | -,- | 2 | 11 |
| 96 | 2 608 040 131 | Support | 1 | -,- | 1 | 12 |
| 100 | 2 601 322 016 | Clamp Spring | 1 | -,- | 1 | 14 |
| 101 | 2 603 490 022 | Screw 4x16 | 1 | -,- | 6 | 10 |
| 102 | 2 601 329 041 | Retaining Bracket | 1 | -,- | 1 | 13 |
| 104 | 2 608 018 004 | Contact retainer | 1 | -,- | 1 | 18 |
| 109 | 2 608 040 078 | Toolholder | 1 | -,- | 1 | 14 |
| 725 | 2 608 571 032 | Key Chuck Ø 1-10 MM,3/8" | 1 | -,- | 1 | - |
| 725/700 | 1 607 950 053 | Chuck Wrench SG1, Ø5x80 MM | 1 | -,- | 1 | - |
| 753 | 2 607 224 431 | Fast Charger USA 120/7,2-24V, 1h | 1 | -,- | 1 | 48 |
| 753 | 2 607 224 708 | Fast Charger USA 120/7,2-14,4V, 30 MIN. | 1 | -,- | 1 | - |
| 791 | 2 607 336 141 | Slide-In Accu Package 7,2V,1,5Ah,NiCd | 1 | -,- | 1 | 40 |
| 793 | 2 608 521 018 | Screwdriver Blade | 1 | -,- | 1 | 18 |
| 797 | 2 601 398 009 | Carrying Loop | 1 | -,- | 1 | - |
| 840 | 1 609 340 005 | Toothed Shaft Z=10/19/81 | 1 | -,- | 1 | 29 |
| 899 | 0 601 938 070 | . BATTERY WITHOUT CHARGER | N/A | -,- | 1 | - |

NO Lubrication instructions available for this product



0 601 938 060
 Stand ~~99-02~~
 Issue } 99-02-25

Fig./Abb. 1

Änderungen vorbehalten
 Modifications reserved
 Modifications reserves
 Salvo modificaciones
Robert Bosch GmbH
 Geschäftsbereich Elektrowerkzeuge
 70745 Leinfelden-Echterdingen

Information subject to change without further notice.