



BOSCH

Drill

GBM 50-2 | 3 601 AB4 080

Table of Content

| | |
|--------------------------|---|
| Spare parts list..... | 2 |
| Illustration - Type..... | 6 |

Spare parts list

| Item | Part Number | Description | Illustration | Price | Quantity | Price Group |
|-------|---------------|------------------------|--------------|-------|----------|-------------|
| 73 | 1 619 PB3 709 | Guide Block | 1 | - | 1 | |
| 74 | 1 619 PB3 711 | Toothed rack | 1 | - | 1 | |
| 75 | 1 619 PB3 706 | Screw | 1 | - | 2 | |
| 76 | 1 619 PB3 707 | Washer | 1 | - | 2 | |
| 77 | 1 619 PB3 708 | Screw | 1 | - | 1 | |
| 78 | 1 619 PB3 710 | Countersunk-Head Screw | 1 | - | 6 | |
| 79 | 1 619 PB3 712 | Holding Plate | 1 | - | 2 | |
| 80 | 1 619 PB3 713 | Screw | 1 | - | 22 | |
| 81 | 1 619 PB3 714 | Spring Sleeve | 1 | - | 1 | |
| 82 | 1 619 PB3 745 | Frame | 1 | - | 1 | |
| 83 | 1 619 PB3 718 | Carrying Handle | 1 | - | 1 | |
| 84 | 1 619 PB3 719 | Carrying Handle | 1 | - | 1 | |
| 85 | 1 619 PB3 717 | Tapping Screw | 1 | - | 8 | |
| 88 | 1 619 PB3 726 | Countersunk-Head Screw | 1 | - | 6 | |
| 89 | 1 619 PB3 721 | Flange Bushing | 1 | - | 2 | |
| 90 | 1 619 PB3 746 | Shaft Coupling | 1 | - | 1 | |
| 91 | 1 619 PB4 088 | Scale Ring | 1 | - | 1 | |
| 92 | 1 619 PB3 747 | Handle | 1 | - | 3 | |
| 93 | 1 619 PB3 722 | Cover Disc | 1 | - | 1 | |
| 94 | 1 619 PB3 716 | Screw | 1 | - | 9 | |
| 95 | 1 619 PB7 206 | Cover Plate | 1 | - | 1 | |
| 96 | 1 619 PB3 723 | Cover Plate | 1 | - | 1 | |
| 97 | 1 619 PB4 334 | Cover Plate | 1 | - | 1 | |
| 104 | 1 619 PB3 715 | Guide Bar | 1 | - | 2 | |
| 105 | 1 619 PB3 720 | Headless Screw | 1 | - | 4 | |
| 106 | 1 619 PB3 725 | Stop Plate | 1 | - | 2 | |
| 107 | 1 619 PB3 724 | Protection Sleeve | 1 | - | 1 | |
| 108 | 1 619 PB4 087 | Protection Sleeve | 1 | - | 1 | |
| 109 | 1 619 PB3 738 | Magnetic Base | 1 | - | 1 | |
| 110 | 1 619 PB3 739 | Spring Washer | 1 | - | 4 | |
| 111 | 1 619 PB3 740 | Screw | 1 | - | 4 | |
| 113 | 1 619 PB4 086 | Laser unit | 1 | - | 1 | |
| 113/2 | 1 619 PB3 729 | Laser | 1 | - | 1 | |
| 119 | 1 619 PB3 734 | Screw | 1 | - | 9 | |
| 126 | 1 619 PB4 333 | O-Ring | 1 | - | 1 | |

* Prices shown are suggested retail prices

Spare parts list

| Item | Part Number | Description | Illustration | Price | Quantity | Price Group |
|---------|---------------|-------------------------|--------------|-------|----------|-------------|
| 5 | 1 619 PB4 109 | Power supply cord CN | 2 | - | 1 | |
| 86 | 1 619 PB3 761 | Lifting Bracket | 2 | - | 1 | |
| 98 | 1 619 PB3 756 | Rear Panel | 2 | - | 1 | |
| 99 | 1 619 PB3 757 | Protective Cover | 2 | - | 1 | |
| 100 | 1 619 PB3 758 | Light Unit | 2 | - | 1 | |
| 101 | 1 619 PB3 759 | Screw | 2 | - | 2 | |
| 102 | 1 619 PB3 755 | On-Off Switch | 2 | - | 1 | |
| 103 | 1 619 PB4 104 | Warning Label | 2 | - | 1 | |
| 112/1 | 1 619 PB4 118 | Control Unit | 2 | - | 1 | |
| 112/2 | 1 619 PB4 119 | Switch Unit | 2 | - | 1 | |
| 112/2/3 | 1 619 PB4 116 | Cover | 2 | - | 1 | |
| 112/2/4 | 1 619 PB4 117 | Indicator Lamp | 2 | - | 1 | |
| 112/2/5 | 1 619 PB3 823 | Reversing Switch | 2 | - | 1 | |
| 112/2/6 | 1 619 PB3 824 | On-Off Switch | 2 | - | 1 | |
| 112/2/7 | 1 619 PB3 825 | Motor Protection Switch | 2 | - | 1 | |
| 114 | 1 619 PB4 102 | Hex Nut | 2 | - | 1 | |
| 115 | 1 619 PB4 103 | Washer | 2 | - | 1 | |
| 116 | 1 619 PB3 749 | Tag | 2 | - | 1 | |
| 117 | 1 619 PB3 750 | Toothed lock washer | 2 | - | 1 | |
| 118 | 1 619 PB3 751 | Screw | 2 | - | 1 | |
| 120 | 1 619 PB4 099 | Cable Clip | 2 | - | 1 | |
| 121 | 1 619 PB4 100 | Cable Holder | 2 | - | 1 | |
| 122 | 1 619 PB4 101 | Grommet | 2 | - | 1 | |
| 123 | 1 619 PB4 098 | Tapping Screw | 2 | - | 2 | |
| 127 | 1 619 PB7 205 | Cover Plate | 2 | - | 1 | |
| 651 | 1 619 PB3 771 | Milling machine arbor | 2 | - | 1 | |
| 655 | 1 619 PB3 776 | Drift | 2 | - | 1 | |
| 656 | 1 619 PB3 777 | Reduction Sleeve | 2 | - | 1 | |
| 657 | 1 619 PB3 778 | Positioning Pin | 2 | - | 1 | |
| 669 | 1 619 PB3 779 | Safety rope | 2 | - | 1 | |
| 670 | 1 619 PB3 763 | Coolant Tank | 2 | - | 1 | |
| 670/2 | 1 619 PB3 767 | Tank Cover | 2 | - | 1 | |
| 670/3 | 1 619 PB3 768 | End Plug | 2 | - | 1 | |
| 671 | 1 619 PB4 127 | Mounting Bracket | 2 | - | 1 | |
| 1 | 1 619 PB3 681 | Motor Housing | 3 | - | 1 | |

* Prices shown are suggested retail prices

Spare parts list

| Item | Part Number | Description | Illustration | Price | Quantity | Price Group |
|------|---------------|-----------------------------------|--------------|-------|----------|-------------|
| 2 | 1 619 PB4 201 | Field assembly 220V | 3 | - | 1 | |
| 3 | 1 619 PB3 666 | Armature assembly 220V | 3 | - | 1 | |
| 8 | 1 619 PB4 142 | Nameplate | 3 | - | 1 | |
| 9 | 1 619 PB4 081 | Manufacturer's nameplate GBM 50-2 | 3 | - | 1 | |
| 16 | 1 619 PB3 680 | Brush Holder | 3 | - | 2 | |
| 22 | 1 619 PB3 702 | Housing Cover | 3 | - | 1 | |
| 23 | 1 619 PB3 703 | Protective Cover | 3 | - | 1 | |
| 24 | 1 619 PB3 701 | Cap | 3 | - | 1 | |
| 25 | 1 619 PB3 704 | Cap | 3 | - | 1 | |
| 27 | 1 619 PB3 705 | Tapping Screw | 3 | - | 4 | |
| 28 | 1 619 PB4 074 | Printed Circuit Board | 3 | - | 1 | |
| 29 | 1 619 PB4 083 | Fastening Clamp | 3 | - | 1 | |
| 30 | 1 619 PB3 700 | Indicator Light | 3 | - | 1 | |
| 31 | 1 619 PB3 699 | Tapping Screw | 3 | - | 2 | |
| 32 | 1 619 PB3 682 | Stop Block | 3 | - | 1 | |
| 33 | 1 619 PB3 684 | Shaped Spring | 3 | - | 1 | |
| 34 | 1 619 PB3 686 | Potentiometer | 3 | - | 1 | |
| 35 | 1 619 PB3 687 | Clamping bracket | 3 | - | 1 | |
| 36 | 1 619 PB3 688 | Handwheel | 3 | - | 1 | |
| 37 | 1 619 PB3 689 | Connector | 3 | - | 1 | |
| 38 | 1 619 PB3 691 | Rear Plate | 3 | - | 1 | |
| 39 | 1 619 PB3 678 | Tapping Screw | 3 | - | 13 | |
| 40 | 1 619 PB4 148 | Connector Cable | 3 | - | 1 | |
| 41 | 1 619 PB3 667 | Rubber Ring | 3 | - | 1 | |
| 42 | 1 619 PB3 671 | Air-Deflector Ring | 3 | - | 1 | |
| 43 | 1 619 PB3 672 | Tapping Screw | 3 | - | 2 | |
| 46 | 1 619 PB4 076 | Flat Seal Ring | 3 | - | 1 | |
| 47 | 1 619 PB3 662 | Oil Separator | 3 | - | 1 | |
| 48 | 1 619 PB3 658 | Straight Pin | 3 | - | 1 | |
| 50 | 1 619 PB3 642 | Tapping Screw | 3 | - | 4 | |
| 52 | 1 619 PB3 653 | Retaining ring | 3 | - | 1 | |
| 53 | 1 619 PB3 652 | Toothed Gear | 3 | - | 1 | |
| 54 | 1 619 PB3 651 | Toothed Gear | 3 | - | 1 | |
| 55 | 1 619 PB3 650 | Toothed rack | 3 | - | 1 | |
| 56 | 1 619 PB3 649 | Parallel Key | 3 | - | 1 | |

* Prices shown are suggested retail prices

Spare parts list

| Item | Part Number | Description | Illustration | Price | Quantity | Price Group |
|------|---------------|-------------------------|--------------|-------|----------|-------------|
| 60 | 1 619 PB3 654 | Retaining ring | 3 | - | 1 | |
| 61 | 1 619 PB3 655 | Toothed Gear | 3 | - | 1 | |
| 65 | 1 619 PB3 640 | Parallel Key | 3 | - | 1 | |
| 66 | 1 619 PB3 639 | Drilling Spindle | 3 | - | 1 | |
| 69 | 1 619 PB3 643 | O-Ring | 3 | - | 1 | |
| 70 | 1 619 PB3 644 | Shift-Lever Knob | 3 | - | 1 | |
| 71 | 1 619 PB3 645 | Spring | 3 | - | 1 | |
| 72 | 1 619 PB3 646 | Block | 3 | - | 1 | |
| 124 | 1 619 PB3 676 | Round copper wire BROWN | 3 | - | 1 | |
| 125 | 1 619 PB4 647 | Round copper wire BLACK | 3 | - | 1 | |
| 810 | 1 619 PB4 295 | Carbon-Brush Set | 3 | - | 1 | |
| 844 | 1 619 PB4 392 | Intermediate Flange | 3 | - | 1 | |
| 849 | 1 619 PB4 393 | Gear Housing | 3 | - | 1 | |
| 859 | 1 619 PB4 394 | Toothed rack | 3 | - | 1 | |

* Prices shown are suggested retail prices

Illustration - Type - E

3 601 AB4 080
 Stand } 20-01
 Issue } 21-03-11

Fig./Abb. 1

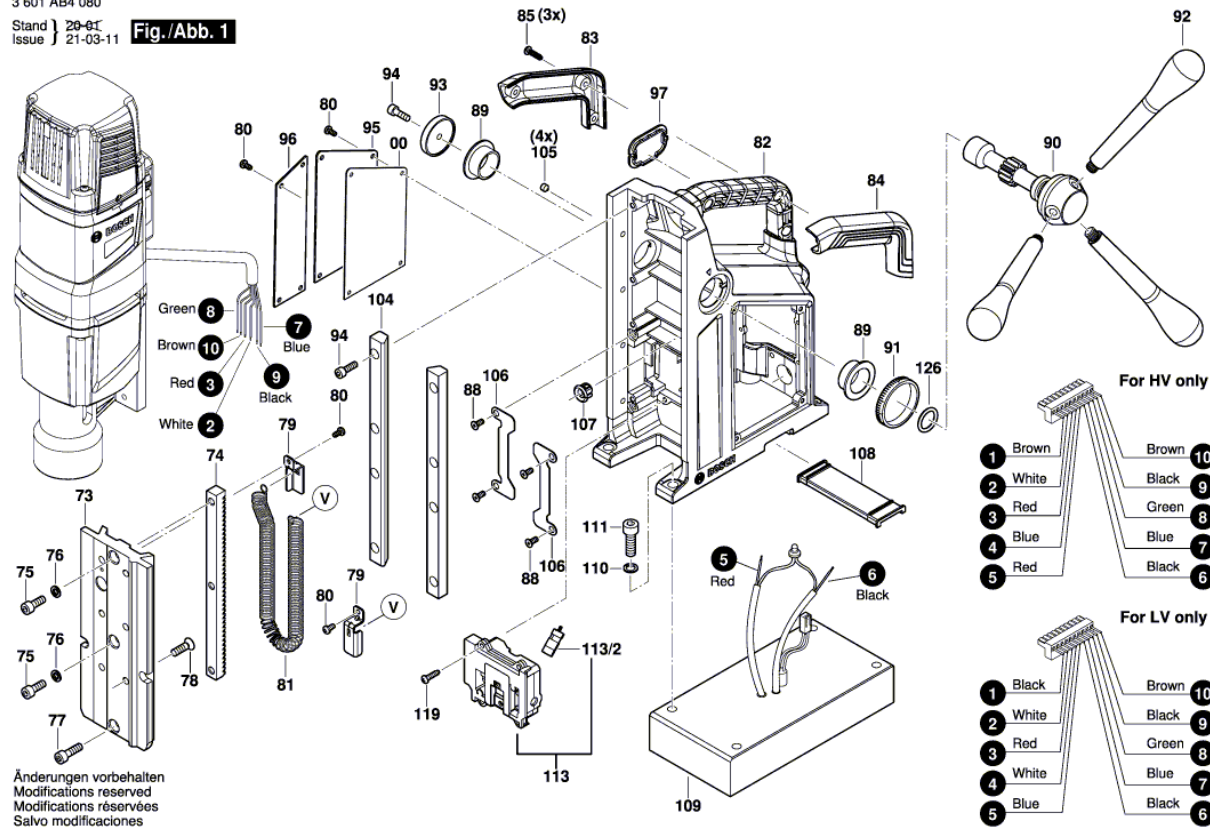
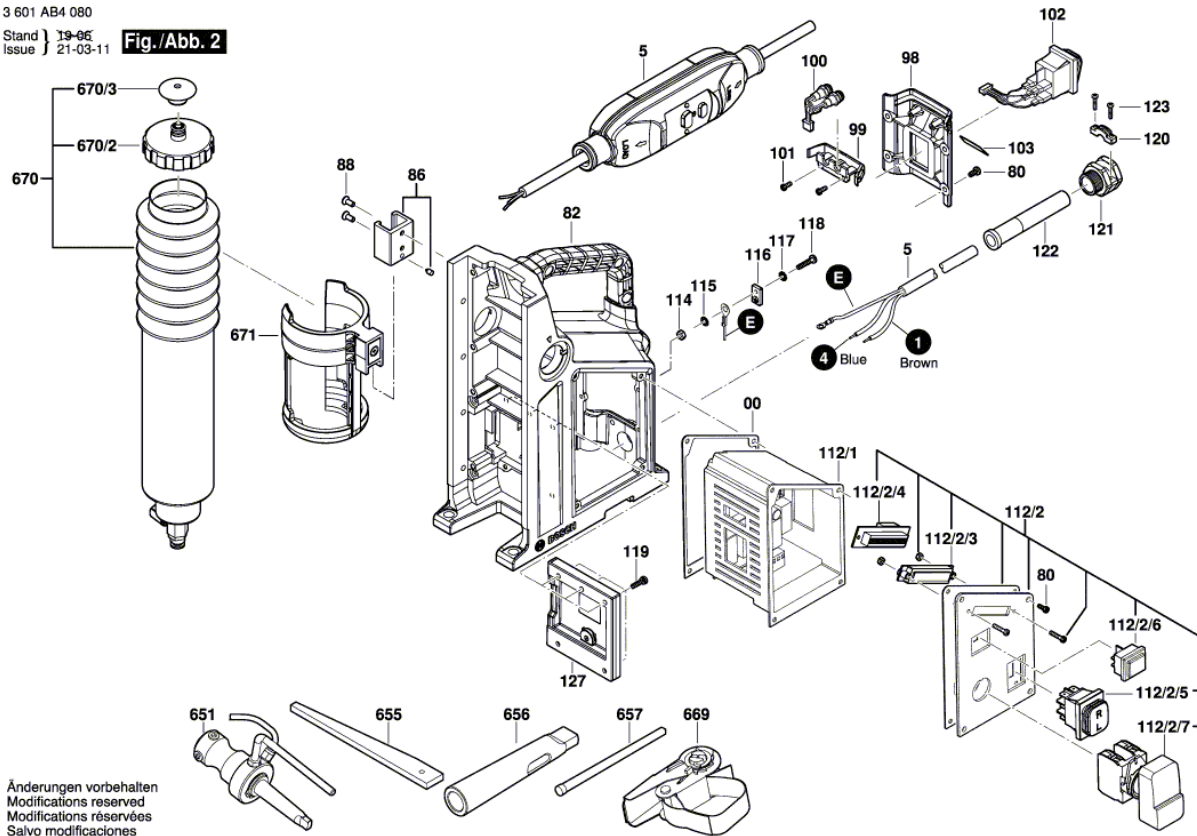


Illustration - Type - E

3 601 AB4 080
 Stand } 19-06
 Issue } 21-03-11

Fig./Abb. 2



Änderungen vorbehalten
 Modifications reserved
 Modifications réservées
 Salvo modificaciones

Illustration - Type - E

