



**BOSCH**

# Drill

GBM 400 | 0 601 143 043

---

## Table of Content

Spare parts list.....	2
Illustration - Type.....	4

## Spare parts list

Item	Part Number	Description		
1	2 605 104 553	Housing Section	BLUE	
2	2 604 220 623	Field	230V	
3	2 604 011 163	Armature With Fan	230V	
3/60	1 619 P11 262	Fan		
4	2 607 200 365	On-Off Switch		
5	1 619 P00 057	Power supply cord H05 VV-F	CN 2,65m 2 x 1,00mm	
6	1 619 P14 639	Grommet	Ø 7mm	
6	2 600 707 059	Grommet	Ø6,9 MM	
7	2 601 035 001	Cable Clip		
9	2 601 118 972	Manufacturer's nameplate	SUNNY SIDE	
13	1 619 P11 239	groove ball bearing		
14	1 619 P00 433	Needle-Roller Bearing		
16	2 609 992 607	Brush Plate		
18	2 603 410 001	Socket head cap screw	M3x6,5-4.8	
19	1 619 P00 029	Screw		
20	2 601 118 973	Reference Plate	SHADOW SIDE	
26	1 619 P00 026	Damping Plate		
27	2 600 917 003	Needle-Roller Bearing	Ø8x8 MM	
29	1 900 210 000	O-Ring	5,0x1,5 MM	
30	2 605 510 157	Locking Piece		
35	2 910 951 132	Oval-Head Screw	DIN 7985-M4x25-8.8	
45	2 600 005 012	Felt		
46	2 604 448 122	Connecting Cable	L=162MM	WHITE
47	2 604 448 045	Cable	L=98 MM	BLACK
48	2 604 448 130	Connecting Cable	L=88 MM	WHITE
52	2 604 448 123	Connecting Cable	L=73 MM	WHITE
54	2 601 329 043	Contact Strap		
739	1 608 571 054	Key Chuck	Ø1-10 MM, 1/2"-24UNF	
739/7	2 607 950 007	Chuck Wrench	SG2	
808	1 619 P00 503	Nameplate		
816/04	2 604 321 905	Carbon-Brush Set		
816/06	2 601 322 017	Ratchet Cap		
834	2 605 807 919	Bearing Bracket		
836	2 606 135 928	Drilling Spindle	1/2"	

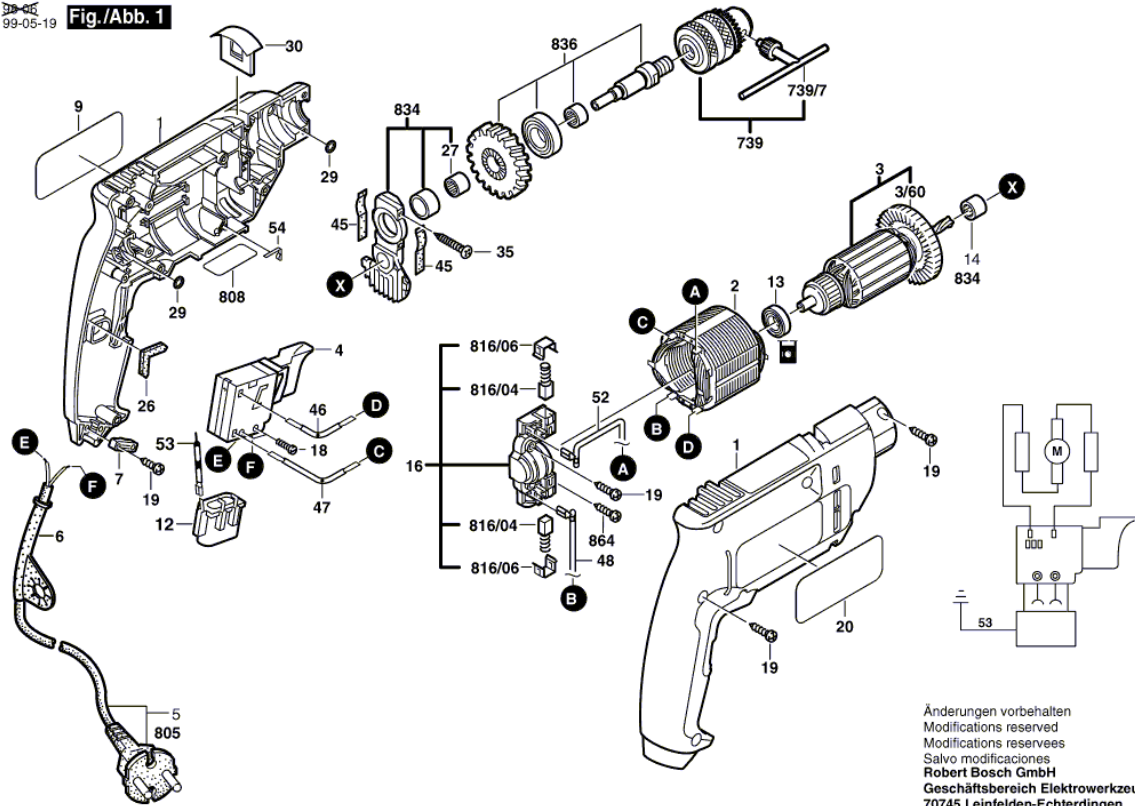
**Spare parts list**

<b>Item</b>	<b>Part Number</b>	<b>Description</b>
864	1 619 P00 222	Cross Recessed-Head Screw

Illustration - Type - E

0 601 143 003 / 103 / 203 / 403

Stand } 99-05  
 Issue } 99-05-19 **Fig./Abb. 1**



Änderungen vorbehalten  
 Modifications reserved  
 Modifications reserves  
 Salvo modificaciones  
**Robert Bosch GmbH**  
 Geschäftsbereich Elektrowerkzeuge  
 70745 Leinfelden-Echterdingen