



BOSCH

Drill

GBM13-2RE | 3 601 AB2 081

Table of Content

| | |
|--------------------------|---|
| Spare parts list..... | 2 |
| Illustration - Type..... | 4 |

Spare parts list

| Item | Part Number | Description | |
|------|---------------|--|-------------------|
| 1 | 1 605 108 2FA | Motor Housing | |
| 2 | 1 614 220 219 | Field | 230-240V |
| 4 | 1 607 200 30G | Switch | |
| 5 | 2 604 460 353 | Power supply cord | |
| 6 | 1 600 703 034 | Grommet | Ø7,3-Ø8,6x66 MM |
| 9 | 1 601 11C 0VJ | Manufacturer's nameplate | |
| 12 | 1 617 328 032 | Suppression Filter | |
| 14 | 1 618 B00 80A | Bearing Bracket | |
| 15 | 2 603 100 056 | Damping rubber | |
| 18 | 1 600 210 05W | O-Ring | |
| 19 | 1 600 905 032 | groove ball bearing | 8x22x7 |
| 21 | 2 608 572 184 | Keyless Chuck | |
| 22 | 1 600 A00 2NH | Gasket | |
| 23 | 1 600 A00 2RA | Drilling Spindle | |
| 26 | 2 916 660 013 | Retaining clip | DIN 472-32x1,2 MM |
| 27 | 2 600 100 695 | Shim | 0,5 MM |
| 28 | 1 600 A00 3NU | Cylindrical Gear | |
| 29 | 1 600 A00 2NJ | Cylindrical Gear | |
| 30 | 2 602 300 033 | Flat Key | |
| 31 | 2 600 101 668 | Shim | 1,5 MM |
| 32 | 1 600 A00 2NK | Transmission | |
| 33 | 2 600 100 607 | Shim | 0,3 MM |
| 34 | 1 600 A00 2NV | Plain Washer | |
| 35 | 1 600 A00 2NW | Needle bearing | |
| 36 | 2 603 421 229 | Countersunk-Head Screw LEFTHAND THREADS | M6x23 |
| 37 | 1 600 A01 1KX | Adjusting Slide | |
| 38 | 1 600 A00 381 | Rotary Knob | |
| 39 | 2 600 590 006 | Ratchet Cap | |
| 40 | 2 600 100 618 | Shim washer | |
| 41 | 2 916 080 907 | Locking Washer | 4 DIN 6799 |
| 42 | 2 600 914 010 | Needle-Roller Bearing | Ø6 MM |
| 43 | 2 917 530 106 | Straight Pin | DIN 6325-4M6x32 |
| 44 | 2 603 435 085 | Headless Screw | |
| 45 | 1 619 P00 219 | Tapping Screw | |

Spare parts list

| Item | Part Number | Description | |
|----------|---------------|----------------------|-------------|
| 46 | 1 613 435 034 | Lens Head Screw | 3x10 ST |
| 48 | 2 603 490 017 | Torx Oval-Head Screw | 3x10 |
| 803 | 1 600 A00 4MT | Armature | 230-240V |
| 803 | 1 600 A00 4MU | Armature | 110V |
| 808 | 1 601 11A 5EU | Nameplate | |
| 816 | 1 617 014 146 | Carbon-Brush Set | |
| 817 | 1 600 A00 4MW | Intermediate Flange | |
| 820 | 1 605 806 58L | Gear Housing | |
| 850 | 1 600 A00 4MX | Connecting Cable | |
| 650 | 2 602 025 175 | Auxiliary Handle | BLACK |
| 650/30/1 | 2 602 025 180 | Handle | BLACK |
| 650/30/2 | 2 911 061 252 | Hex Screw | M8x45 |
| 651 | 1 613 001 009 | Depth-Gauge | SW 6x210 MM |

Illustration - Type - E

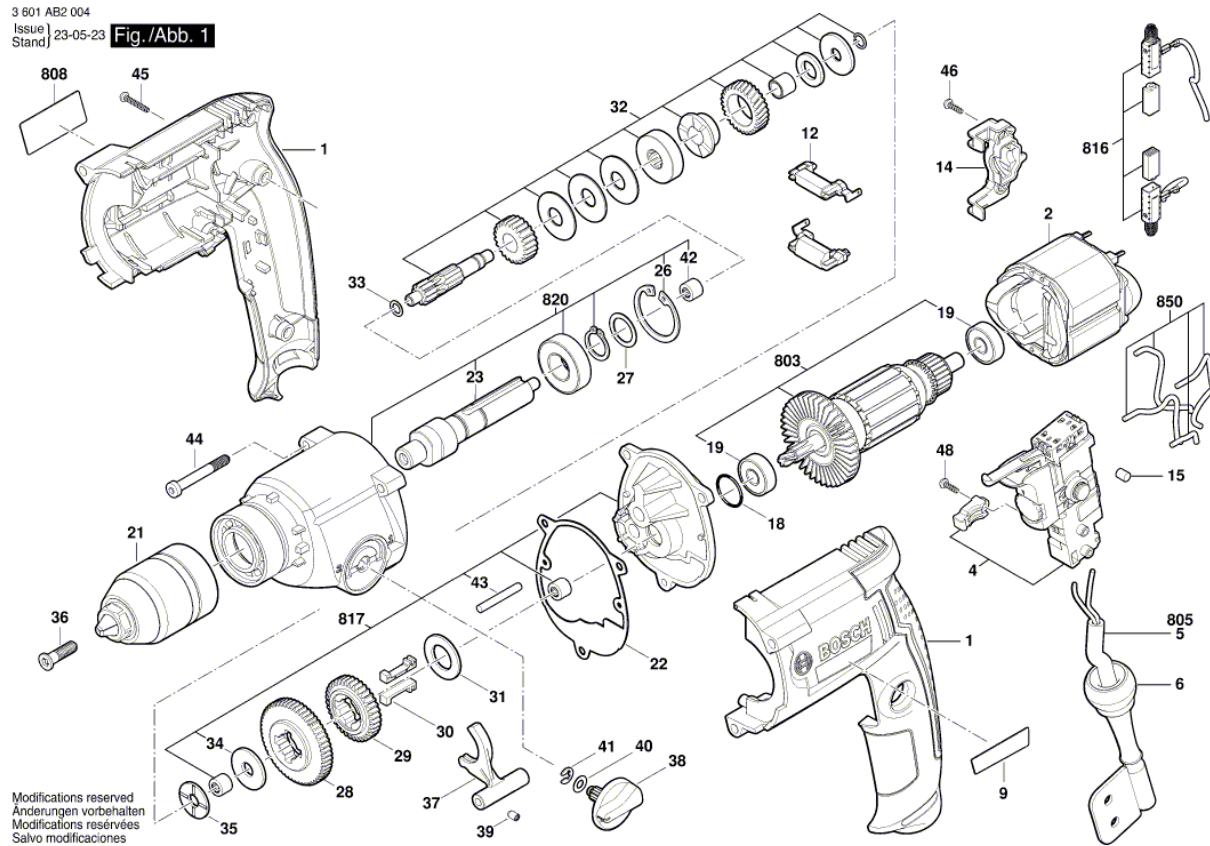
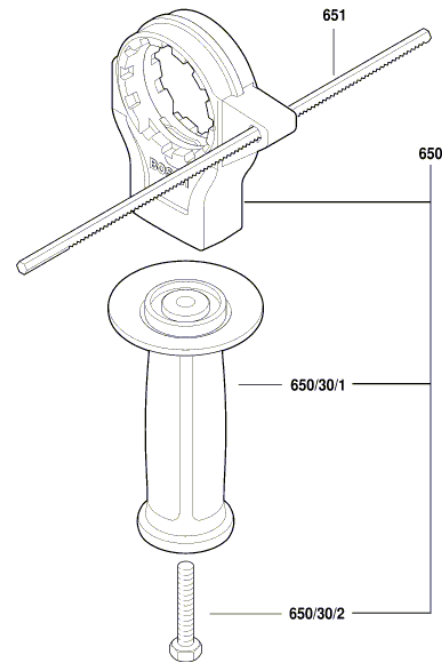


Illustration - Type - E

3 601 AB2 004
Issue |
Stand | 18-06-05 **Fig./Abb. 2**



Modifications reserved
Änderungen vorbehalten
Modifications réservées
Salvo modificaciones