



BOSCH

Drill

GBM 13-2 RE | 0 601 169 543

Table of Content

Spare parts list.....	2
Illustration - Type.....	4

Spare parts list

Item	Part Number	Description
1	2 605 104 332	Motor Housing BLUE
2	2 604 220 495	Field 230-240V
3	2 604 010 858	Armature 230-240V
3/50	2 606 610 049	Fan
4	2 607 200 209	Switch
5	1 604 460 223	Power supply cord H05 RN-F CN 2,65m 2 x 1,0mm
6	2 600 707 059	Grommet Ø6,9 MM
7	2 601 035 001	Cable Clip
9	2 601 116 664	Manufacturer's nameplate
12	2 607 329 114	Suppression Filter
13	1 900 905 018	Ball Bearing 7x22x7
14	2 600 905 095	Ball Bearing 9x24x7
16	2 604 337 003	Brush Holder
18	2 603 410 001	Socket head cap screw M3x6,5-4.8
19	2 603 490 022	Screw 4x16
20	9 920 490 116	Reference Plate SHADOW SIDE
26	2 603 490 025	Torx Oval-Head Screw 4x30
29	2 601 328 046	Cover Disc
30	3 602 391 503	Rubber Buffer
34	2 604 601 004	Retaining ring
35	2 603 421 226	Countersunk-Head Screw M6x27 LEFTHAND THREADS
36	1 608 571 088	Chuck
37	2 603 410 048	Thread-forming tap. Screw M4x8
38	2 603 490 023	Torx Oval-Head Screw 4x20
39	2 605 132 050	Housing Cover BLUE
41	2 601 015 012	Flat Seal Ring
42	2 606 135 011	Drilling Spindle 1/2", SW 17
43	1 900 905 110	Ball Bearing Ø15 MM
44	2 916 650 006	Retaining clip DIN 471-15x1-FSt
45	2 916 660 013	Retaining clip DIN 472-32x1,2 MM
46	2 600 100 695	Shim 0,5 MM
47	2 606 316 316	Cylindrical Gear
48	2 606 316 317	Cylindrical Gear
49	2 602 300 033	Flat Key

Spare parts list

Item	Part Number	Description
50	2 600 101 668	Shim 1,5 MM
54	2 600 100 607	Shim 0,3 MM
55	2 602 033 007	Adjusting Slide BLACK
56	2 602 026 006	Rotary Knob
57	2 600 590 006	Ratchet Cap
58	2 600 100 618	Shim washer
60	2 600 914 010	Needle-Roller Bearing Ø6 MM
61	2 603 105 043	Holding Pin
63	2 603 490 017	Torx Oval-Head Screw 3x10
70	2 604 448 005	Cable L=130 MM WHITE
71	2 604 448 074	Connecting Cable L=98 MM BLACK
72	2 604 448 100	Connecting Cable L=68 MM WHITE
73	2 604 465 086	Suppression Filter L=148 MM BLACK
74	2 604 465 097	Suppression Filter L=126 MM WHITE
75	2 604 448 097	Earth Conductor
808	1 601 11A 3H3	Nameplate
810	2 604 321 905	Carbon-Brush Set
825	2 605 806 997	Gear Housing BLACK
828	2 605 700 940	Intermediate Flange
835	2 603 421 208	Countersunk-Head Screw M6x38/12(Ø11) LEFTHAND THREADS
842	2 606 135 944	Drilling Spindle
851	2 606 308 915	Toothed Shaft Z=29/18/11
859	2 916 080 007	Locking Washer DIN 6799-4-FSt
869	2 607 200 231	Change-Over Switch
653/20	2 915 011 007	Hex Nut DIN 934-M6-8-A
653/30	1 613 480 007	Wing Screw M6x(15)55
653/50	2 608 040 014	Clamping Plate M6
653/60	1 613 480 008	Wing Screw M6x20 MM
654	2 609 005 615	Depth-Gauge
753	1 619 PB4 323	Auxiliary Handle

Illustration - Type - E

0 601 169 503 - 550

Stand } Issue } **Fig./Abb. 1**
15-07-07

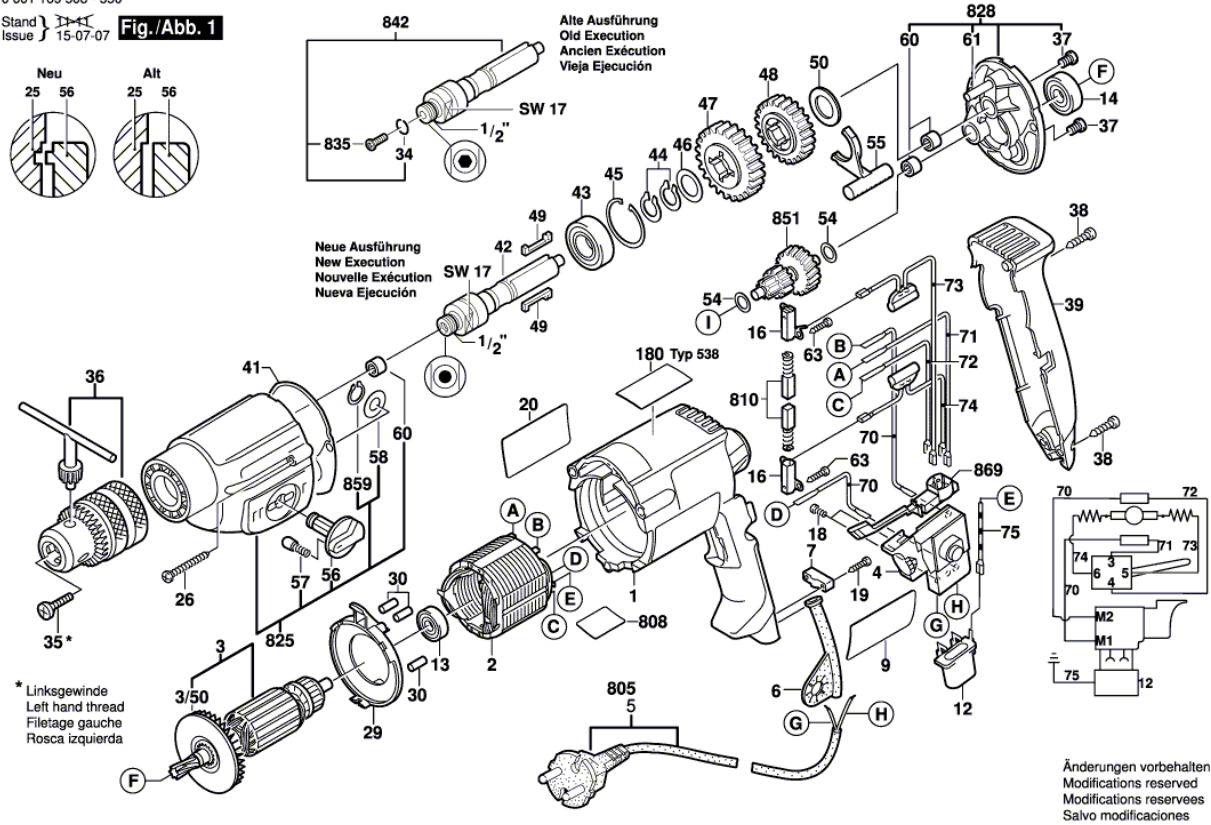
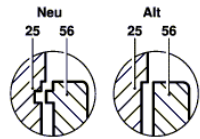
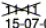
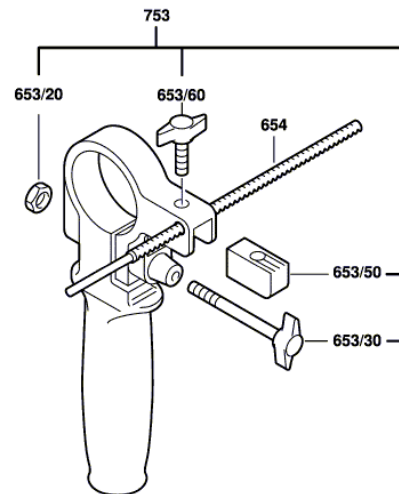


Illustration - Type - E

0 601 169 503 - 550
Stand } 
Issue } 15-07-07 **Fig./Abb. 2**



Änderungen vorbehalten
Modifications reserved
Modificaciones reservées
Salvo modificaciones