



BOSCH

Rotary Hammer

GBH 7-45 DE | 0 611 235 843

Table of Content

Spare parts list.....	2
Illustration - Type.....	6

Spare parts list

Item	Part Number	Description
1	1 615 108 078	Motor Housing BLUE
2	1 614 220 124	Field 220-240V
4	1 617 200 048	Switch
5	1 614 460 075	Power supply cord CN 4,15m 2 x 1,0mm H07 RN-F
6	1 610 703 053	Grommet Ø9,7-Ø12x89 MM
7	1 601 302 018	Fastening Clamp
9	1 611 110 F01	Manufacturer's nameplate
13	1 610 900 026	groove ball bearing 8x24x8
14	1 610 910 096	Needle-Roller Bearing
20	1 618 597 072	Toolholder
21	1 610 508 035	Protective Cap
22	1 610 591 021	Protection Sleeve
23	1 610 520 001	Stop Sleeve
24	1 610 500 021	Headed Bush
25	1 612 300 027	Stopping Device
26	1 610 290 025	Indexing Disk
27	1 610 591 023	Air-Deflector Ring
28	1 614 621 004	Compression Spring
31	1 610 290 049	Damping Ring
35	1 615 806 156	Hammer Pipe
37	1 610 102 047	Support Disc
38	1 615 190 079	Covering hood
39	1 615 190 108	Covering hood
42	1 614 336 026	Brush Holder
43	1 615 500 305	Fan Cover
44	1 614 621 005	Compression Spring
45	1 610 591 022	Sealing plate
47	1 619 990 149	Spacer Ring
48	1 619 990 151	Clutch Sleeve
51	1 616 333 035	Crown Gear Z=45
52	1 614 601 056	Retaining ring
53	1 610 231 000	Guide Bushing
54	1 610 190 033	Spacer Tube
58	1 616 317 056	Cylindrical Gear Z=17

Spare parts list

Item	Part Number	Description
59	1 615 805 067	Bearing Pedestal
72	1 616 317 067	Eccentric Cog Wheel
75	1 615 132 102	Handle BLACK
76	1 612 026 083	Shift-Lever Knob BLACK
77	1 614 610 010	Compression Spring
80	1 617 233 042	Speed governor 220-240V
94	1 610 290 052	Support Disc
95	1 613 120 018	Driving Pin
98	1 610 101 015	Shim ring 1,0 MM THICK
101	1 610 102 049	Shim 0,45 MM THICK
102	1 610 102 048	Shim 0,3 MM THICK
104	1 610 190 027	Stop Disc
111	1 610 290 046	Bushing
112	1 613 300 007	Hex Nut
113	1 613 412 001	Tapping Screw B 4,8x68 MM
116	1 610 913 029	Needle-Roller Assembly
117	1 610 913 011	Needle-Roller Assembly Ø10 MM
119	1 610 910 081	Needle-Roller Bearing
121	1 610 328 016	Bushing
125	1 613 435 011	Torx Oval-Head Screw 4,8x19
126	2 910 211 019	Tapping Screw DIN 7971-ST3,9x16-F
127	1 610 300 060	Bushing
129	1 610 300 067	Bushing
138	1 611 015 047	Sealing Frame
139	1 612 380 010	Sealing Plate
141	1 610 290 028	Rotary shaft lip seal
142	1 610 290 050	Rotary shaft lip seal
143	1 614 601 021	Retaining ring DIN 7993-28x2
144	1 610 103 021	Supporting Disc
151	1 610 210 148	O-Ring 60,0x2,0 MM
152	1 614 601 029	Retaining ring
153	1 614 601 028	Retaining ring
154	1 610 119 011	Spring retaining ring
156	2 916 650 003	Spring retaining ring DIN 471-12x1-FSt
157	1 610 210 142	O-Ring 31,0x1,5 MM

Spare parts list

Item	Part Number	Description	
158	1 610 210 139	O-Ring	30,0x2,5 MM
159	1 610 210 141	O-Ring	27,0x2,5 MM
160	1 610 210 140	O-Ring	46,0x7,0 MM
161	1 610 210 145	O-Ring	18,0x8,0 MM
162	1 610 210 109	O-Ring	26,0x4,0 MM
163	1 610 210 144	O-Ring	22,0x3,0 MM
164	1 903 230 013	Ball	DIN 5401-Ø7MM-III-ST
167	1 610 290 051	Rotary shaft lip seal	
168	1 610 210 149	O-Ring	46,0x5,0 MM
171	1 613 414 021	Microencapsulated Screw	
172	1 613 435 008	Screw and washer assembly	
173	1 613 433 001	Screw and washer assembly	6,3x32
174	1 613 435 010	Torx Oval-Head Screw	5,5x25
175	2 912 401 018	Tapping Screw	DIN7981-ST3,9x13-C-Z
180	1 611 110 855	Sticker	
803	1 614 010 213	Armature	220-240V
808	1 601 11A 3H3	Nameplate	
810	1 617 014 135	Carbon-Brush Set	
818	2 910 011 088	Socket head cap screw	DIN 84-AM3,5x12-5.8
821	1 617 000 824	Bushing	
840	1 617 000 825	Impact Mechanism Housing	
841	1 617 000 474	Striker Pin	
849	1 617 000 826	Control Fork	
856	1 617 000 873	Hammer Piston	
860	1 617 000 828	Spur Wheel Clutch	Z=13/47
866	1 617 000 406	Roller Set	
872	1 617 000 874	Eccentric Cog Wheel	
873	1 617 000 830	Housing Cover	
896	1 617 000 407	Wear and Tear Part Set	
897	1 617 000 408	Wear and Tear Part Set	
898	1 617 000 409	Wear and Tear Part Set	
84	1 602 025 07H	Auxiliary Handle	
85	1 618 040 071	Support clamp	
87	1 617 000 834	Clamping Band	Ø77 MM, M8

Spare parts list

Item	Part Number	Description
129/1	1 610 910 085	Needle-Roller Bearing
661	1 615 430 010	Grease Tube 30 ML
884	1 612 025 051	Auxiliary Handle Ø77 MM, M8

Illustration - Type - E

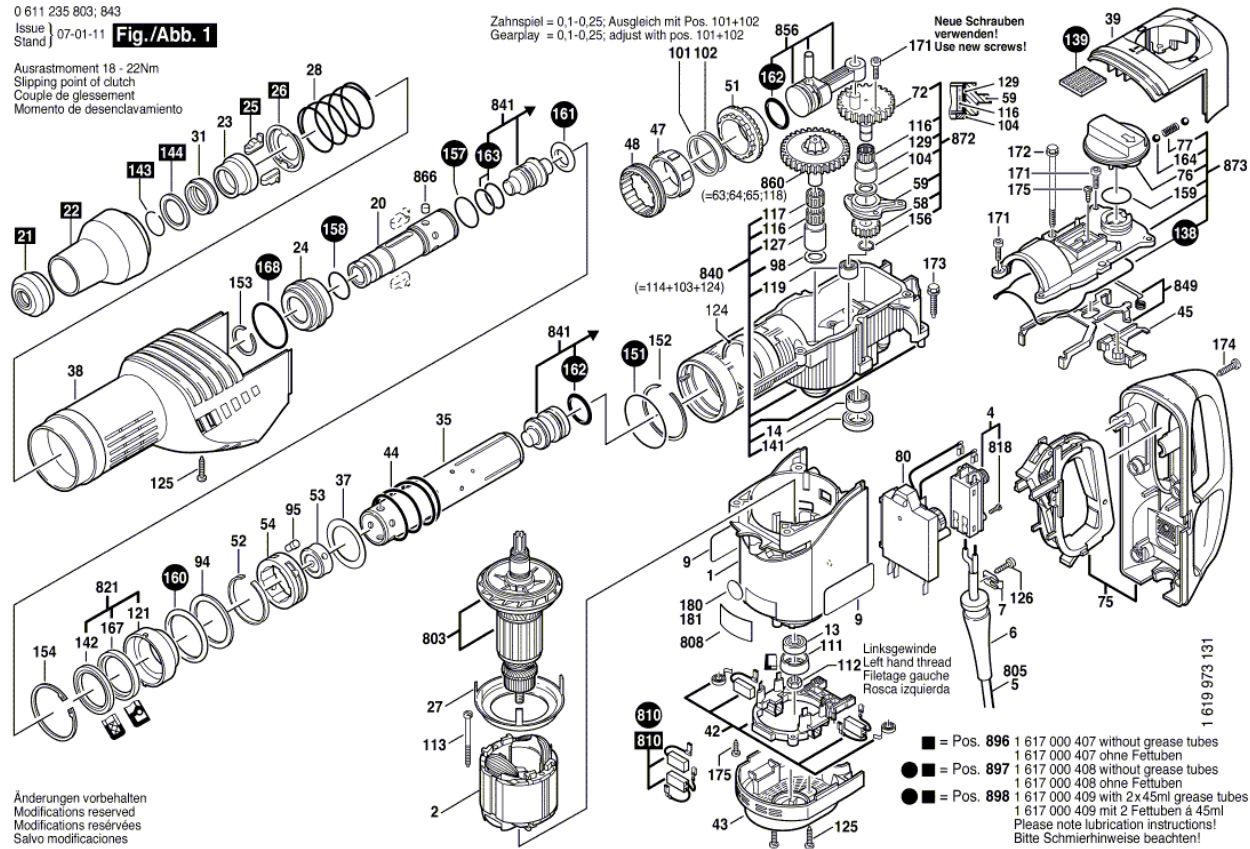
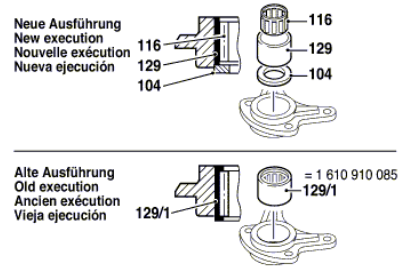
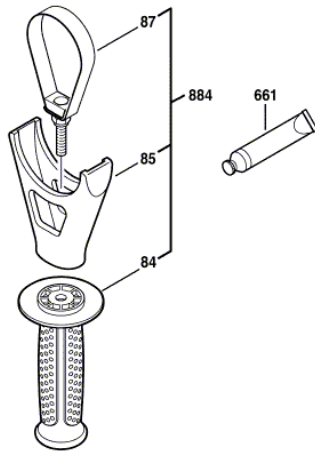


Illustration - Type - E

0 611 235 803; 843
Issue | 07-01-11
Stand | **Fig./Abb. 2**



Änderungen vorbehalten
Modifications reserved
Modifications réservées
Salvo modificaciones