



**BOSCH**

# Rotary Hammer

GBH 5-40 DCE | 3 611 B64 080

---

## Table of Content

Spare parts list.....	2
Illustration - Type.....	6

Spare parts list

Item	Part Number	Description
1	1 615 102 161	Motor Housing BLUE
2	1 614 220 123	Field 220-240V
4	1 617 200 120	Switch
5	1 614 460 075	Power supply cord H07 RN-F CN 4,15m 2 x 1,0mm
6	1 600 703 035	Grommet Ø8,7-Ø9,6x66 MM
7	1 601 302 018	Fastening Clamp
9	1 601 11C 0U6	Manufacturer's nameplate
13	1 610 900 026	groove ball bearing 8x24x8
14	1 610 905 041	groove ball bearing 12x32x10
15	1 616 610 090	Fan
19	1 613 200 019	Cylindrical Roller
21	1 610 508 057	Protective Cap BLACK
22	1 610 591 045	Protection Sleeve BLACK
23	1 610 499 069	Guide Sleeve BLACK
25	1 612 300 034	Stopping Device
26	1 610 224 010	Pressure Spring
27	1 610 591 028	Air-Deflector Ring
28	1 614 621 008	Compression Spring
34	1 610 516 013	Flange
35	1 615 806 220	Hammer Pipe
37	1 615 500 393	Bearing Pedestal
38	1 615 190 159	Covering hood BLUE
42	1 614 336 085	Brush Holder
43	1 615 500 410	Fan Cover BLACK
44	1 614 617 004	Compression Spring
45	1 610 499 070	Control Bushing
47	1 610 300 064	Gear Sleeve
48	1 616 334 012	Clutch Sleeve
53	1 610 290 068	Support Disc
57	1 618 710 091	Striker
72	1 600 A01 4S9	Eccentric Cog Wheel
74	1 611 921 001	Guide Plate
75	1 615 132 118	Handle BLUE
79	1 613 435 015	Torx Oval-Head Screw M5x12-TORX,T25 SILVER

Spare parts list

Item	Part Number	Description
80	1 617 233 047	Speed governor
81	1 615 132 088	Handle Cover BLACK
94	1 610 102 056	Friction Washer
95	1 610 210 173	O-Ring 32,0x1,5 MM
97	1 610 031 005	Locking Washer
99	1 610 102 059	Support Disc
102	1 610 102 057	Shim 0,3 MM
102	1 610 102 058	Shim 0,2 MM
104	1 610 210 160	O-Ring 52,0x2,0 MM
106	1 610 499 073	Retaining snap ring
111	1 610 290 064	Bushing
112	1 613 300 008	Hex Nut DIN 936-M8x1-8
113	1 613 435 009	Tapping Screw ST-4,8x57,5-TORX,T20
117	1 610 913 029	Needle-Roller Assembly
120	1 610 590 019	Stop Sleeve
126	2 603 490 022	Screw 4x16
138	1 611 015 053	Sealing Frame
141	1 610 290 066	Rotary shaft lip seal
142	1 610 290 069	Rotary shaft lip seal
143	1 614 601 021	Retaining ring DIN 7993-28x2
144	1 610 251 006	Supporting Disc
145	1 610 119 012	Spring retaining ring
146	1 610 210 202	O-Ring 56,0x3,5 MM
154	2 916 660 023	Spring retaining ring DIN 472 52x2MM
155	1 614 601 020	Retaining ring
160	1 610 290 095	Damping Ring
161	1 610 290 094	Damping Ring
162	1 610 210 204	O-Ring 22,5x3,5 MM
163	1 610 290 065	Seal Ring
164	1 903 230 011	Ball DIN 5401-6 G28
165	1 610 210 079	O-Ring 22,0x4,0 MM
167	1 610 283 033	Rotary shaft lip seal
168	1 610 210 144	O-Ring 22,0x3,0 MM
171	1 613 435 016	Torx Oval-Head Screw M5x20-TORX,T25 SILVER

# Rotary Hammer | GBH 5-40 DCE | 3 611 B64 080

## Spare parts list

Item	Part Number	Description		
172	1 613 435 013	Torx Oval-Head Screw SILVER	M6x30-TORX,T30	
174	1 613 435 012	Torx Oval-Head Screw SILVER	M4,8x25-TORX,T25	
175	2 912 401 018	Tapping Screw	DIN7981-ST3,9x13-C-Z	
177	2 603 490 024	Torx Oval-Head Screw	4x25	
183	1 610 116 007	Stop Sleeve		
184	1 610 290 096	Damping Ring		
192	1 614 611 019	Compression Spring		
195	1 613 490 015	Torx Oval-Head Screw		
196	1 613 435 019	Screw and washer assembly		
198	1 618 900 001	Control Lever		
200	1 610 284 000	Bellows		
202	1 611 010 006	Switch Hook		
803	1 614 011 098	Armature	220-240V	
808	1 601 11A 3H5	Nameplate		
811	1 617 014 144	Carbon-Brush Set		
816	1 609 271 281	Socket head cap screw		
817	1 614 652 004	Spiral Spring		
818	2 910 011 082	Socket head cap screw	DIN 84-AM3,5x6-5.8	
821	1 617 000 A02	Bushing		
825	1 617 000 706	Bearing Shaft		
830	1 617 000 717	Supporting Disc		
831	1 617 000 720	Control Bushing		
840	1 617 000 A06	Impact Mechanism Housing		
841	1 617 000 899	Striker Pin		
849	1 617 000 839	Control Fork		
854	1 617 000 718	Guide Bushing		
856	1 617 000 A04	Hammer Piston		
860	1 607 000 E7U	Spur Wheel Clutch		
873	1 617 000 A05	Housing Cover		
891	1 617 000 A26	Spring Pack		
897	1 617 000 719	Wear and Tear Part Set		
84	1 612 025 060	Auxiliary Handle	M8	BLACK
85	1 618 040 074	Support clamp		
86	1 613 490 002	T-Head Bolt	M8x40 MM	

**Spare parts list**

<b>Item</b>	<b>Part Number</b>	<b>Description</b>
87	1 611 316 019	Clamping Band    Ø62 MM
661	1 615 430 010	Grease Tube    30 ML
691	1 615 438 461	Carrying Case
884	1 607 000 F30	Auxiliary Handle
886	1 607 000 F31	Auxiliary Handle

Illustration - Type - E

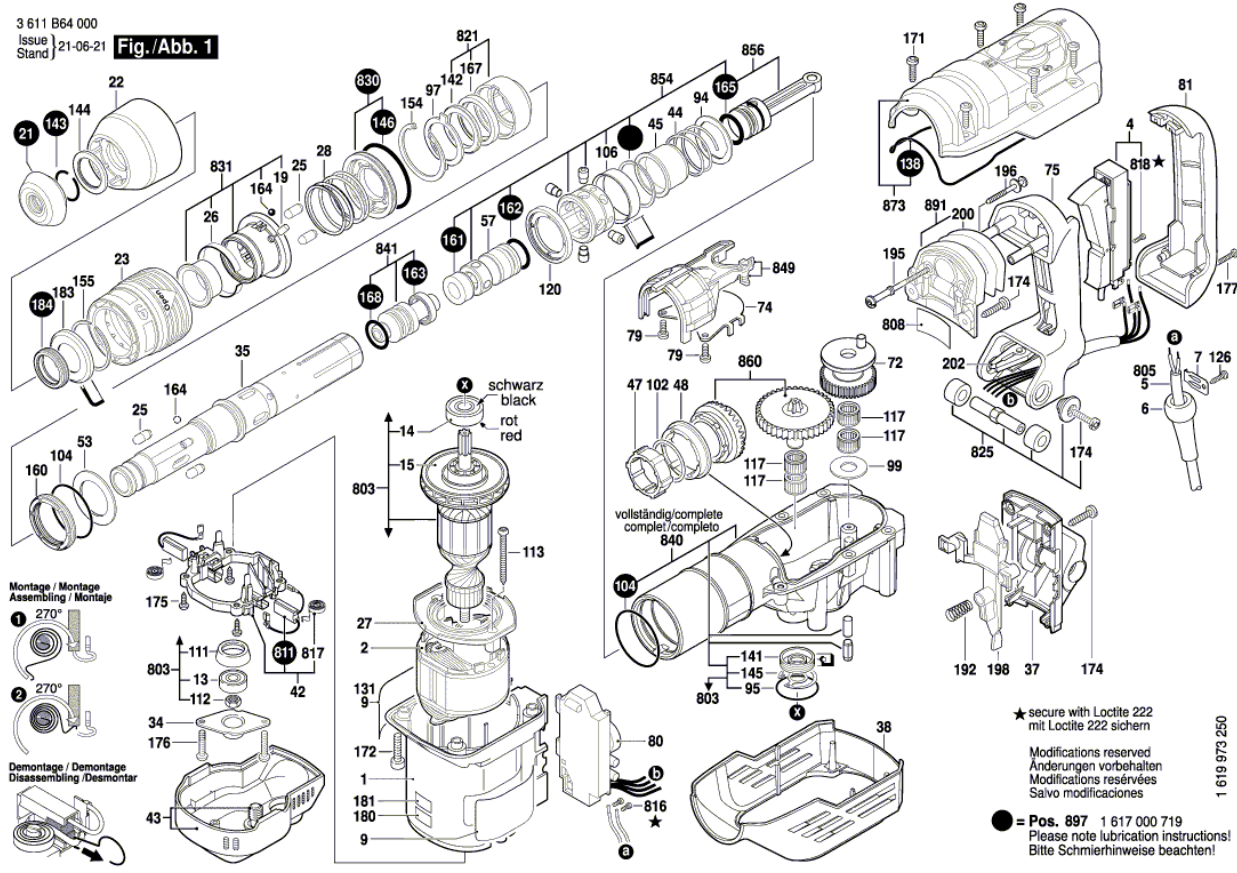
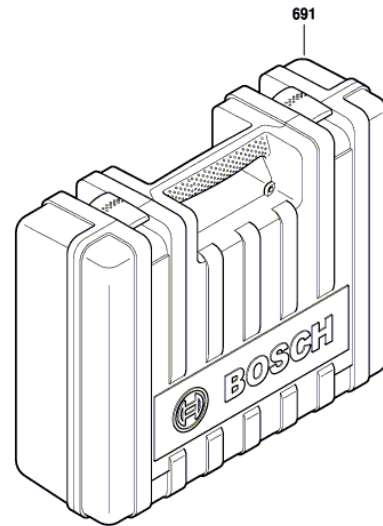
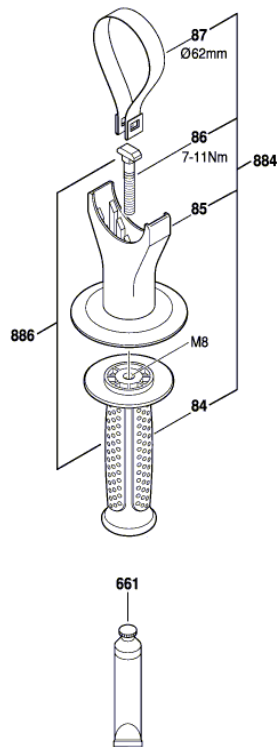


Illustration - Type - E

3 611 B64 000  
Issue | 17-03-29  
Stand | **Fig./Abb. 2**



Änderungen vorbehalten  
Modifications reserved  
Modifications réservées  
Salvo modificaciones