



BOSCH

Rotary Hammer

GBH 5-38 X | 0 611 240 943

Table of Content

Spare parts list.....	2
Illustration - Type.....	5

Spare parts list

Item	Part Number	Description
1	1 619 P10 299	Motor Housing
2	1 619 P01 908	Field 220-240V
5	1 614 460 075	Power supply cord H07 RN-F CN 4,15m 2 x 1,0mm
6	1 610 703 053	Grommet Ø9,7-Ø12x89 MM
7	1 601 302 019	Fastening Clamp
9	1 611 110 F31	Manufacturer's nameplate
12	1 607 328 052	Suppression Filter
13	1 610 900 026	groove ball bearing 8x24x8
14	1 610 905 041	groove ball bearing 12x32x10
15	1 616 610 085	Fan
21	1 610 508 045	Protective Cap
22	1 610 591 035	Protection Sleeve
25	1 903 230 016	Ball 10 MM III DIN 5401ST
27	1 600 591 032	Air-Deflector Ring
28	1 614 621 000	Compression Spring
30	1 610 505 004	Supporting Disc
31	1 610 251 009	Supporting Disc
34	1 610 516 013	Flange
38	1 619 P09 925	Covering hood
42	1 614 336 041	Brush Holder
43	1 615 500 303	Fan Cover
44	1 614 617 003	Compression Spring
47	1 610 300 064	Gear Sleeve
48	1 616 334 012	Clutch Sleeve
53	1 610 290 068	Support Disc
57	1 618 710 081	Striker
69	1 610 099 004	Retaining Bracket
72	2 608 670 746	Eccentric Cog Wheel
74	1 611 921 001	Guide Plate
75	1 619 P10 300	Handle
79	1 613 435 015	Torx Oval-Head Screw M5x12-TORX,T25 SILVER
81	1 615 132 079	Handle Cover
94	1 610 102 056	Friction Washer
95	1 610 210 173	O-Ring 32,0x1,5 MM

Spare parts list

Item	Part Number	Description
97	1 610 031 005	Locking Washer
99	1 610 102 059	Support Disc
102	1 610 102 057	Shim 0,3 MM
102	1 610 102 058	Shim 0,2 MM
104	1 610 210 160	O-Ring 52,0x2,0 MM
111	1 610 290 064	Bushing
112	1 613 300 008	Hex Nut DIN 936-M8x1-8
113	1 613 435 009	Tapping Screw ST-4,8x57,5-TORX,T20
116	1 610 311 017	Inner Ring
117	1 610 913 029	Needle-Roller Assembly
121	1 610 328 019	Bushing
124	1 619 P10 303	Collar Sleeve
126	2 603 490 022	Screw 4x16
138	1 619 P10 252	Sealing Frame
141	1 610 290 066	Rotary shaft lip seal
142	1 619 P10 106	Rotary shaft lip seal
143	2 916 540 018	Retaining ring DIN 7993-A32
145	1 610 119 012	Spring retaining ring
154	2 916 660 023	Spring retaining ring DIN 472 52x2MM
160	1 610 210 161	Damping Ring
162	1 610 210 163	O-Ring 22,0x3,5 MM
163	1 610 290 065	Seal Ring
165	1 610 210 079	O-Ring 22,0x4,0 MM
166	1 613 200 015	Cylindrical Roller
167	1 610 283 033	Rotary shaft lip seal
171	1 613 435 016	Torx Oval-Head Screw SILVER M5x20-TORX,T25
172	1 613 435 013	Torx Oval-Head Screw SILVER M6x30-TORX,T30
174	1 613 435 012	Torx Oval-Head Screw SILVER M4,8x25-TORX,T25
175	1 619 P00 228	Screw
177	1 603 435 051	Tapping Screw ST3,9x32 SILVER
178	1 604 412 069	Connecting Cable
180	1 611 110 855	Sticker
652	1 610 508 055	Dust-Protection Cover

Spare parts list

Item	Part Number	Description		
803	1 619 P06 002	Armature		
804	1 617 200 109	Switch		
808	1 619 P02 081	Nameplate		
811	1 617 014 138	Carbon-Brush Set		
817	1 614 652 004	Spiral Spring		
818	2 910 011 088	Socket head cap screw	DIN 84-	
		AM3,5x12-5.8		
820	1 618 597 090	Tool Holder Set		
821	1 617 000 842	Bushing		
835	1 617 000 862	Hammer Pipe		
840	1 617 000 840	Impact Mechanism Housing		
841	1 617 000 460	Striker Pin		
849	1 617 000 839	Control Fork		
854	1 617 000 461	Stop Disc		
856	1 617 000 843	Hammer Piston		
860	1 607 000 E7U	Spur Wheel Clutch		
873	1 617 000 860	Housing Cover		
897	1 617 000 453	Wear and Tear Part Set		
84	1 612 025 060	Auxiliary Handle	M8	BLACK
85	1 619 P09 926	Support clamp		
86	1 613 490 002	T-Head Bolt	M8x40 MM	
87	1 611 316 019	Clamping Band	Ø62 MM	
884	1 612 025 055	Auxiliary Handle	Ø62 MM	BLACK
886	1 617 000 459	Auxiliary Handle	M8	BLACK
895	1 615 430 019	Oil Reservoir	1000 ML	
898	1 615 437 511	Oil Reservoir	50 ML	

Illustration - Type - E

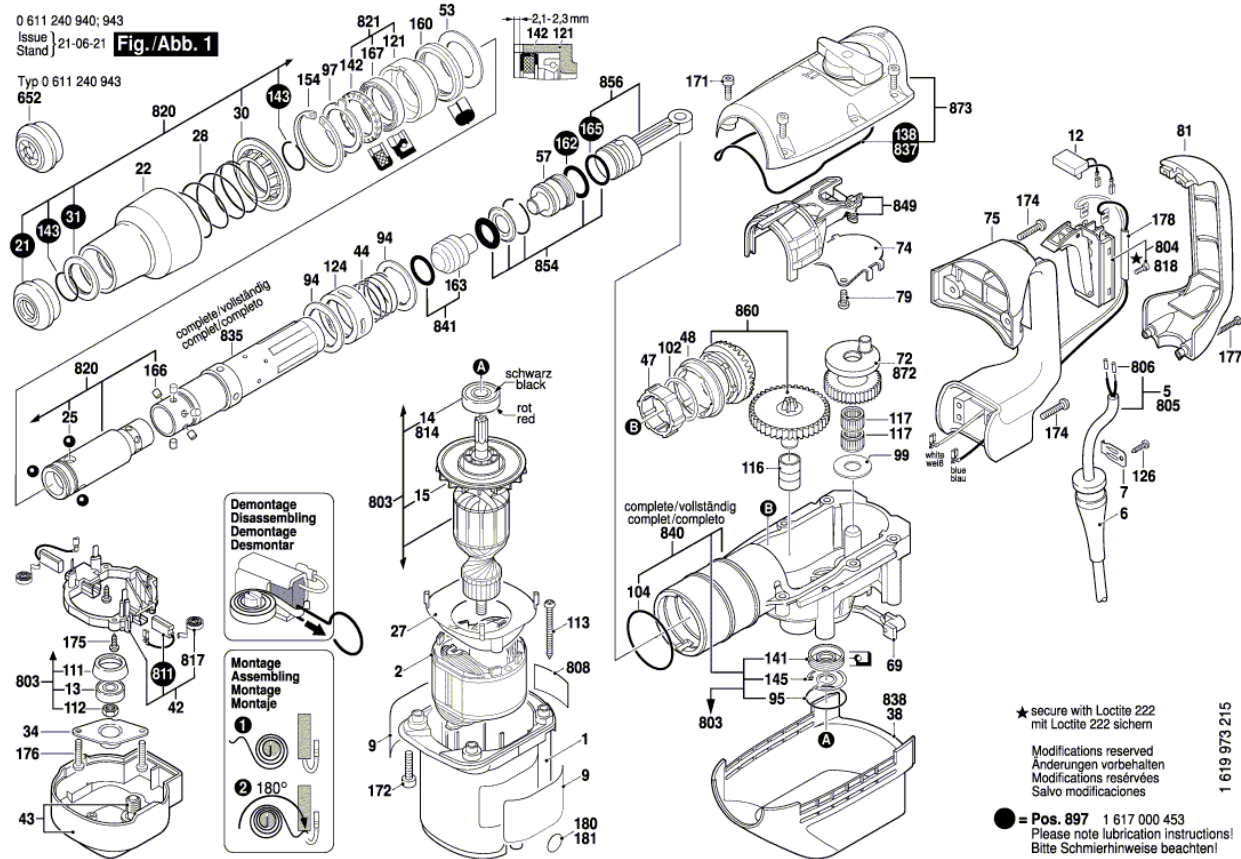
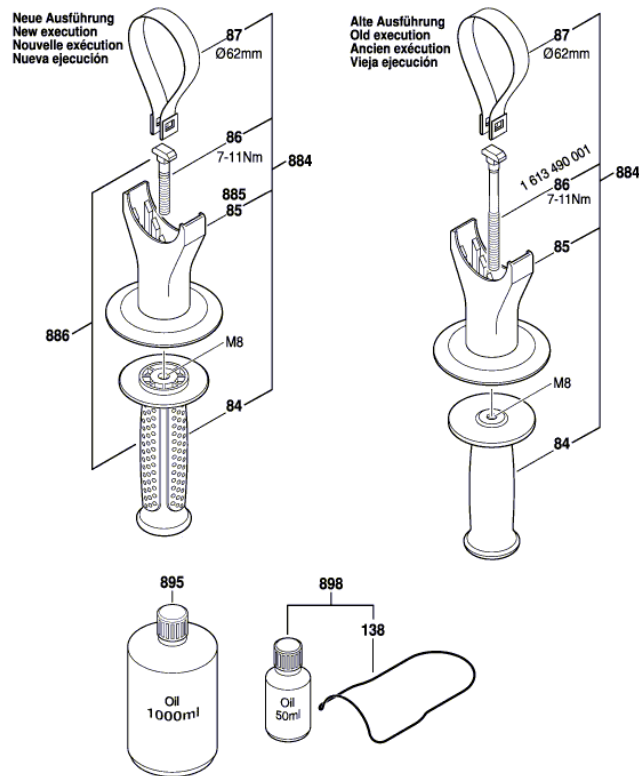


Illustration - Type - E

0 611 240 940; 943
 Issue
 Stand

Fig./Abb. 2



Änderungen vorbehalten
 Modifications reserved
 Modifications réservées
 Salvo modificaciones