



BOSCH

Rotary Hammer

GBH 4 DFE | 0 611 236 743

Table of Content

Spare parts list.....	2
Illustration - Type.....	6

Spare parts list

Item	Part Number	Description	
1	1 615 108 059	Motor Housing	BLUE
2	1 614 220 117	Field	230V
3	1 614 010 128	Armature With Fan	220-230V
4	2 607 200 576	Switch	
5	1 614 460 078	Power supply cord H07 RN-F	CN 4,15m 2 x 1,0mm
6	2 600 703 018	Grommet	Ø7,3-Ø8,6x76 MM
7	1 601 302 018	Fastening Clamp	
9	1 611 110 974	Manufacturer's nameplate	
13	1 610 905 025	groove ball bearing	7x19x6
14	1 900 900 289	groove ball bearing	12x28x8
15	1 606 610 132	Fan	
18	1 610 591 011	Air-Deflector Ring	
22	1 616 317 602	Cylindrical Gear	Z=50
24	1 617 000 500	Toothed Shaft	Z=3/9
26	1 618 700 063	Hammer Piston	
27	1 618 710 060	Striker	
28	1 613 124 043	Striker Pin	
29	1 613 105 012	Piston Pin	
32	1 612 026 037	Clamp Handle	BLACK
33	1 610 190 016	Perforated disk	
34	1 610 005 000	Felt Disc	
35	1 610 206 021	Rubber Ring	
36	1 610 390 016	Guide Bushing	
37	1 610 390 032	Damping Bushing	Ø21 MM
38	1 610 102 026	Supporting Disc	
41	1 610 101 011	Shim washer	1,2 MM THICK
42	1 610 202 015	Plain bearing	
43	1 611 098 005	Tab Washer	
44	1 615 820 092	Switching Element	
45	1 614 651 014	Switch Spring	
46	1 614 690 002	Driver Pin	
48	1 611 016 003	Holding Plate	
49	1 612 026 035	Switch Button	RED
50	1 618 598 175	Quick-Change Collet Chuck SDS-PLUS	L=70 MM

Spare parts list

Item	Part Number	Description		
50/9	1 610 508 026	Protective Cap	L=21,5 MM, SDS-PLUS	
52	1 615 500 298	Cover	BLUE	
57	1 610 390 025	Stop Bushing		
58	1 610 390 026	Guide Ring		
59	1 610 910 080	Needle bearing		
60	1 610 910 073	Needle-Roller Bearing		
61	1 610 910 098	Needle bearing		
62	1 610 200 020	Plain bearing		
63	1 610 910 064	Needle bearing		
64	1 610 913 010	Needle-Roller Assembly		
65	1 610 591 016	Plain bearing		
67	1 610 905 016	groove ball bearing		
68	1 610 119 009	Retaining ring		
69	1 610 283 041	Rotary shaft lip seal		
70	1 610 283 023	Rotary shaft lip seal		
71	1 610 290 029	Scraper		
73	1 610 210 121	O-Ring	17,0x3,0 MM	GREEN
74	1 610 210 104	O-Ring	11,0x3,5 MM	
75	1 610 210 159	O-Ring	18,0x3,5 MM	
76	1 610 210 046	O-Ring	10,5x2,7 MM	
77	1 610 210 106	O-Ring	60,0x3,0 MM	
78/1	1 610 134 005	Shim	0,1 MM	THICK
78/2	1 610 134 006	Shim	0,2 MM	THICK
80	1 614 634 006	Compression Spring		
81	1 614 611 009	Compression Spring		
83	1 614 611 006	Compression Spring		
84	1 610 101 627	Supporting Disc	1,2 MM	THICK
85	1 614 601 011	Retaining ring		
86	1 614 601 024	Retaining ring		
87	1 610 390 027	Screw Bushing		
88	1 613 200 007	Roller		
89	2 910 141 168	Hex Socket Head Cap Screw	DIN 912-M 5x35-8.8	
91	2 910 211 036	Tapping Screw	DIN 7971-ST4,8x25-F	
91/1	2 910 211 038	Tapping Screw	DIN 7971-ST4,8x38-F	

Spare parts list

Item	Part Number	Description		
92	2 912 401 019	Tapping Screw	DIN7981-ST3,9x16-C-Z	
93	2 910 141 162	Hex Socket Head Cap Screw	DIN 912-M5x20-8.8	
94	2 603 435 015	Cross Recessed-Head Screw	DIN 7981-ST3,5x9,5-F	
96	2 912 401 018	Tapping Screw	DIN7981-ST3,9x13-C-Z	
97	1 615 133 031	Handle Cover	BLACK	
98	1 615 133 030	Cover	BLACK	
99	2 910 211 005	Tapping Screw	DIN 7971-ST2,9x9,5-F	
100	2 914 211 311	Oval-Head Screw	40 x 35MM	
125	1 614 448 035	Connecting Cable	L=330 MM	WHITE
126	1 614 448 036	Connecting Cable	L=215 MM	BLUE
325/54	1 616 333 029	Crown Gear	Z=32	
325/79	2 600 210 003	O-Ring	40,0x1,5 MM	
808	1 601 11A 3H3	Nameplate		
816	1 617 000 357	Brush Holder		
816/04	1 617 014 124	Carbon-Brush Set		
816/05	1 614 652 002	Spiral Spring		
819	1 617 000 345	Impact Mechanism Housing	BLUE	
820	1 617 000 315	Gear Housing		
821	1 617 000 978	Ratchet Sleeve		
821/01	1 617 000 979	Ratchet Sleeve		
823	1 616 328 044	Gear Sleeve	Z=25	
825	1 615 805 064	Bearing Flange		
826	1 617 000 516	Toothed Shaft	Z=3/9	
830	1 615 819 022	Drive bearing		
853	1 617 000 196	Pinion	Z=15	
855	1 617 000 982	Jack Shaft	Z=9	
878	1 610 134 008	Plain Washer	0,5 MM	THICK
898	1 617 000 197	Wear and Tear Part Set		
899	1 617 000 198	Wear and Tear Part Set		
120	1 602 025 07H	Auxiliary Handle		
121	1 618 040 054	Support clamp	Ø51x110 MM	
122	1 613 490 002	T-Head Bolt	M8x40 MM	
123	1 611 316 009	Clamping Band	Ø51 MM	
652	1 613 001 008	Depth-Gauge	SW 6x330 MM	

Spare parts list

Item	Part Number	Description	
661	1 615 430 010	Grease Tube	30 ML
701	2 607 000 186	Adapter	
713	2 607 001 316	Keyless Chuck	Ø1-Ø13 MM, 1/2"
713	2 608 572 066	Keyless Chuck	Ø1-Ø13 MM, 1/2"
791	2 605 438 389	Carrying Case	
884	1 612 025 038	Auxiliary Handle	

Illustration - Type - E

0 611 236 703; 743
Issue | 13-11-06
Stand |

Fig./Abb. 1

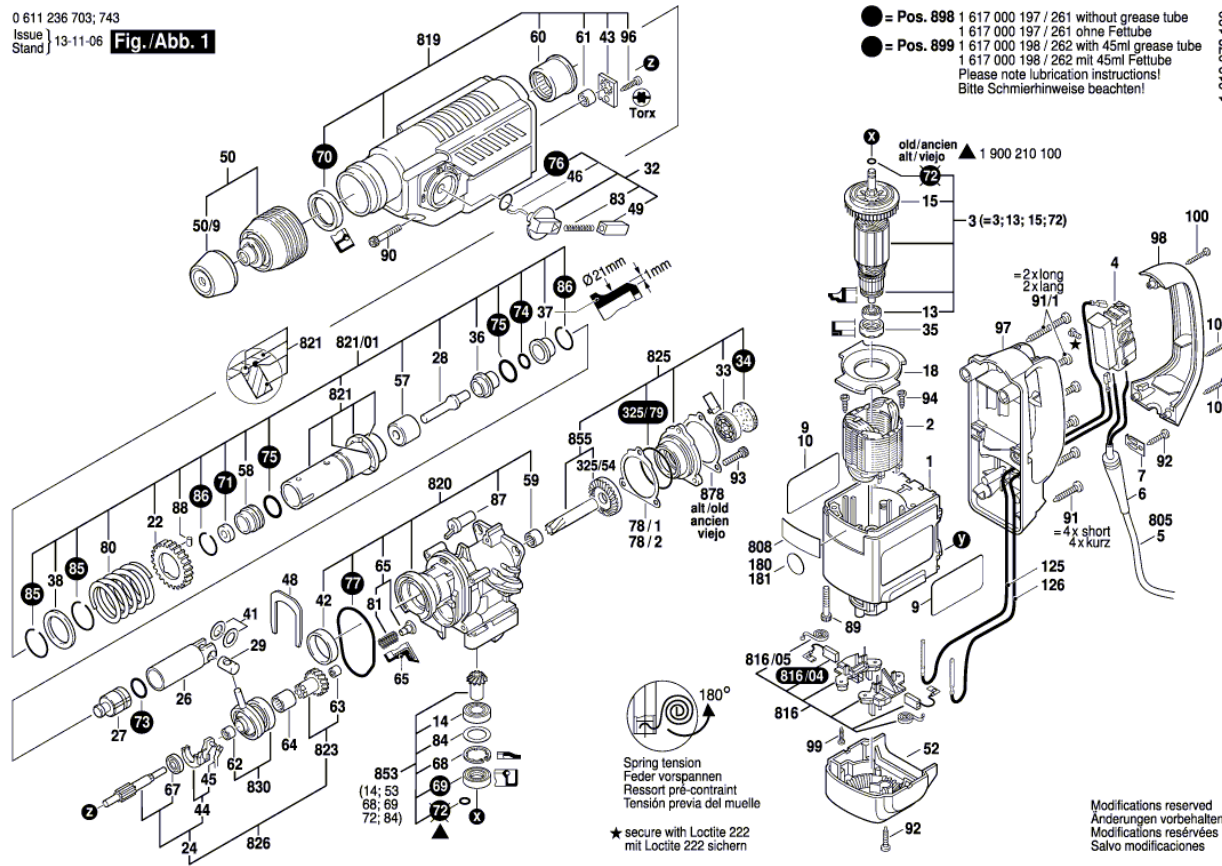
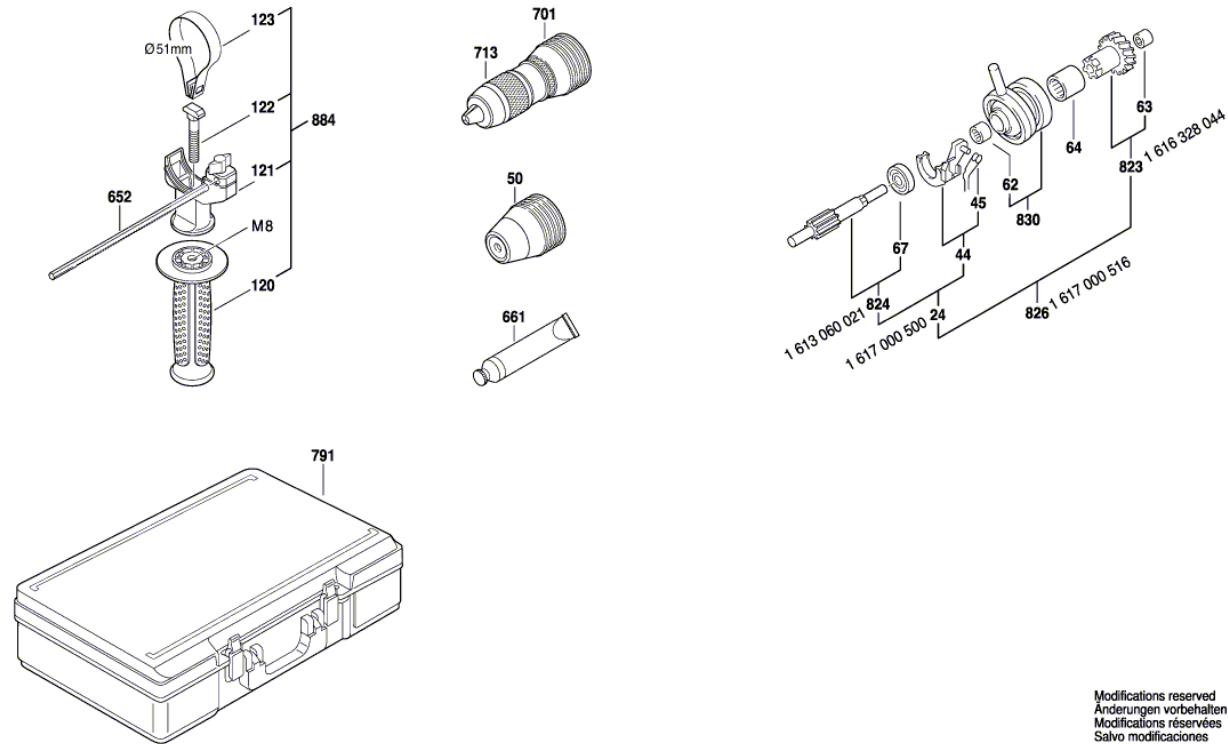


Illustration - Type - E

0 611 236 703; 743
Issue | 13-11-06
Stand | **Fig./Abb. 2**



Modifications reserved
Änderungen vorbehalten
Modifications réservées
Salvo modificaciones