



BOSCH

Rotary Hammer

GBH 220 | 3 611 BA6 080

Table of Content

Spare parts list.....	2
Illustration - Type.....	4

Rotary Hammer | GBH 220 | 3 611 BA6 080

Spare parts list

Item	Part Number	Description
2	1 616 B10 269	Field 220-230 V
4	1 607 200 372	Switch
5	1 614 460 090	Power supply cord CN 4,15m 2 x 1,0mm H07 RN-F
6	2 600 703 018	Grommet Ø7,3-Ø8,6x76 MM
7	1 611 035 007	Cable Clip
8	1 619 P16 245	Nameplate
8/1	1 619 P16 246	Nameplate
9	1 619 P16 242	Manufacturer's nameplate GBH 220
9/1	1 619 P16 241	Reference Plate GBH 220
12	1 617 328 032	Suppression Filter
16	1 619 P20 535	Brush Holder
20	1 612 026 151	Clamp Handle BLACK
26	1 619 P20 540	Hammer Piston
27	1 619 P20 541	Striker
29	1 613 100 034	Piston Pin
37	1 610 100 016	Guide Disc
45	1 611 016 003	Holding Plate
51	1 610 021 004	Shift Plate
52	1 610 021 006	Shift Plate
53	1 610 021 005	Shift Plate
54	1 613 023 005	Guide Rod
65	1 610 210 070	O-Ring 14,0x3,0 MM
66	1 619 P20 537	Bracket
67	1 619 P20 547	Insulating Cap
68	1 619 P20 548	Insulating Cap
69	1 619 P20 702	Change-Over Switch
71	2 603 490 023	Torx Oval-Head Screw 4x20
72	1 619 P09 645	Torx Oval-Head Screw
73	1 619 P00 220	Torx Oval-Head Screw 3x10
74	1 619 P00 219	Tapping Screw
75	1 614 643 025	Compression Spring
76	1 614 643 023	Compression Spring
78	1 619 P20 563	Tapping Screw
801	1 619 P16 274	Motor Housing

Spare parts list

Item	Part Number	Description
803	1 619 P16 276	Armature
810	1 617 000 525	Carbon-Brush Set 220 V / 127 V
818	1 619 P16 278	Intermediate Flange
821	1 619 P16 280	Hammer Pipe
824	1 619 P16 282	Jack Shaft
843	1 619 P16 284	Gear Housing
856	1 617 000 6D3	Protection Sleeve
870	1 619 P16 327	Connecting Cable
651	2 603 001 009	Depth-Gauge
691	1 615 438 409	Lock for 1 615 438 486+...358+...367
691	1 615 438 426	Lock for 1 615 438 395
691	1 615 438 431	Lock for 1 615 438 429 + 1 615 438 430
700	1 617 000 154	Drill Chuck Shank 1/2" SDS-PLUS
700/1	2 603 421 207	Countersunk-Head Screw M6x27-KØ11 LEFTHAND THREADS
701	1 608 571 088	Chuck
701/1	2 607 950 007	Chuck Wrench SG2
822	1 602 025 08X	Auxiliary Handle
822/120	1 602 025 07H	Auxiliary Handle
822/124	1 611 316 021	Clamping Band Ø50 MM
822/125	1 613 490 002	T-Head Bolt M8x40 MM
822/802	1 617 000 475	Support clamp
892	1 615 430 001	Grease Tube 225 ML
893	1 615 430 002	Grease Tube 225 ML
894	1 615 430 020	Grease Tube 225 ML
895	1 615 430 019	Oil Reservoir 1000 ML

Illustration - Type - E

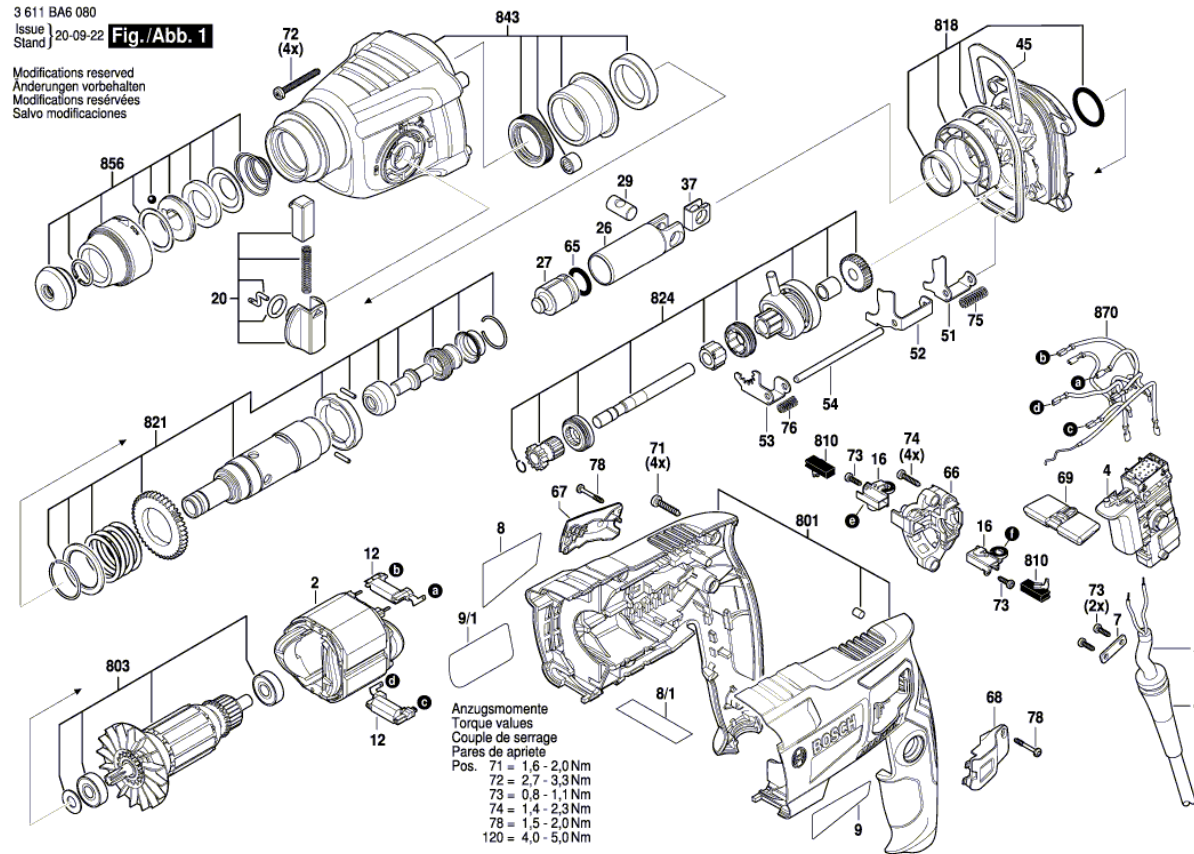
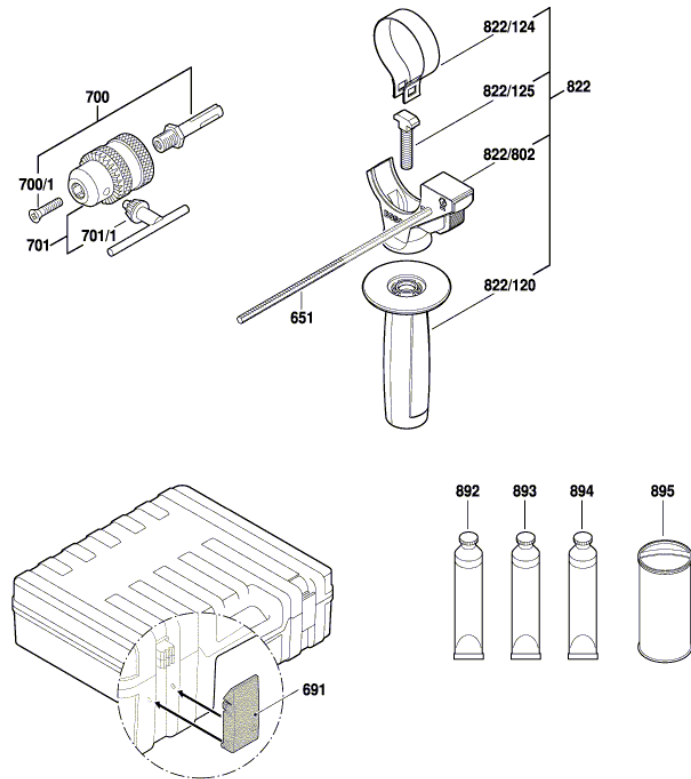


Illustration - Type - E

3 611 BA6 080
Issue | 20-09-16
Stand } **Fig./Abb. 2**



Modifications reserved
Änderungen vorbehalten
Modifications réservées
Salvo modificaciones