



**BOSCH**

# Rotary Hammer

GBH 2-28 D | 3 611 B67 083

---

## Table of Content

Spare parts list.....	2
Illustration - Type.....	5

Spare parts list

Item	Part Number	Description
2	1 619 P11 940	Field 220V
4/102	1 614 449 015	Connecting Cable
4/103	1 613 435 034	Lens Head Screw 3x10 ST
4/4	1 607 200 32D	Switch
4/5	1 614 460 090	Power supply cord CN 4,15m 2 x 1,0mm H07 RN-F
4/6	1 600 703 034	Grommet Ø7,3-Ø8,6x66 MM
12	1 614 465 011	Suppression Filter
13	1 610 905 032	groove ball bearing 7x19x6
14	1 610 905 048	groove ball bearing 9x24x7
16	1 619 P16 871	Brush Plate
19	1 616 B10 337	Switch Contact
24	1 617 000 6EJ	Toothed Shaft
24/65	1 610 905 016	groove ball bearing
26	1 617 000 6A5	Hammer Piston
26/27	1 619 P16 681	Striker
26/29	1 600 A01 TD0	Piston Pin
26/56	1 610 210 121	O-Ring 17,0x3,0 MM GREEN
26/71	1 610 100 016	Guide Disc
32	1 619 P12 076	Clamp Handle
32/46	1 619 P09 571	Driver Pin
32/49	1 612 026 035	Switch Button RED
32/76	1 610 210 046	O-Ring 10,5x2,7 MM
32/83	1 614 611 006	Compression Spring
36	1 615 808 106	Bearing Holder
41	1 615 500 428	Housing Cover
45	1 610 522 015	Air-Deflector Ring
47	1 616 312 010	Control Element
49	1 615 700 044	End Shield
54	1 610 502 016	Rubber Bushing
55	1 619 P18 144	O-Ring
57	1 610 210 208	O-Ring 24,0x2,0 MM
76	1 613 435 022	Thread-forming tap. Screw
77	2 603 490 024	Torx Oval-Head Screw 4x25
79	1 619 P07 062	Thread-Forming Screw

Spare parts list

Item	Part Number	Description	
80	2 914 201 483	Torx Oval-Head Screw	
101	1 614 449 014	Connecting Cable	
105	1 614 643 027	Compression Spring	
109	1 613 435 014	Torx Oval-Head Screw SILVER	M5x16-TORX,T25
203	1 610 508 047	Protective Cap	
206	1 613 230 003	Ball Ø7,3 MM	
207	1 614 601 027	Retaining ring	
208	1 610 101 629	Retaining Washer	
209	1 610 102 638	Friction Washer	
211	2 916 540 012	Retaining ring	DIN 7993-A22
321	1 617 000 6CA	Toolholder	
321/22	1 616 312 004	Cylindrical Gear	
321/28	1 613 124 098	Striker Pin	
321/33	1 610 590 020	Holding Jacket	
321/34	1 610 190 067	Supporting Disc	
321/37	1 613 100 019	Straight Pin	DIN6325-2,5x12-RIKO
321/38	1 600 A00 8AG	Catch Disk	
321/42	1 610 102 084	Thrust Ring	
321/46	1 610 390 068	Guide Bushing	
321/50	1 614 615 008	Compression Spring	
321/58	1 610 210 105	O-Ring	18,0x3,5 MM
321/59	1 600 A00 9VC	Shaft Seal	
321/60	1 610 210 209	O-Ring	9,5x3,5 MM
321/72	1 604 601 027	Retaining ring	
321/86	1 614 601 034	Retaining ring	
321/87	1 604 601 028	Retaining ring	A22 DIN 7993
340	1 617 000 6CU	Gear Housing	
340/48	1 611 098 008	Tab Washer	
340/63	1 610 910 063	Needle bearing	Ø30xØ37x12 MM
340/64	1 610 390 069	Bushing	
340/68	1 610 283 036	Rotary shaft lip seal	
340/78	2 603 490 022	Screw	4x16
801	1 617 000 6BS	Motor Housing	
803	1 619 P12 113	Armature set	220V

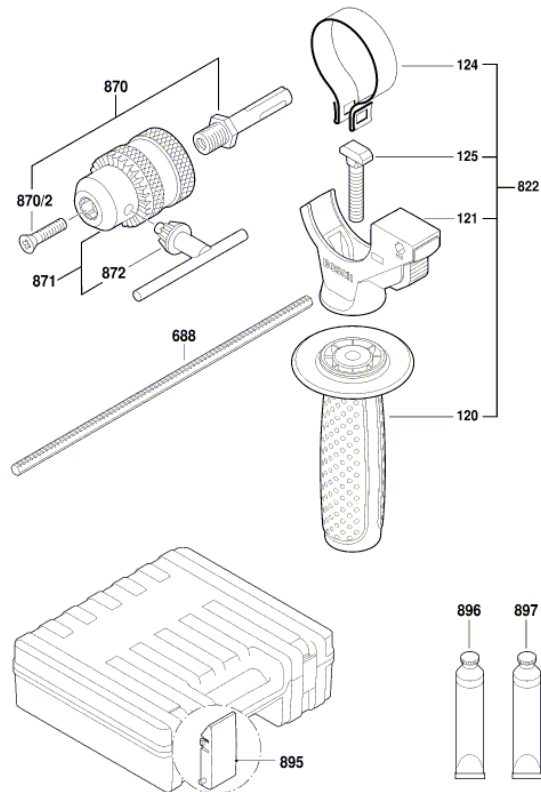
Spare parts list

Item	Part Number	Description
811	1 617 000 525	Carbon-Brush Set 220 V / 127 V
820	1 617 000 6BT	Intermediate Flange
821	1 617 000 6C9	Tool Holding Fixture
823	1 617 000 6BW	Gear Sleeve
825	1 617 000 6CB	Tool Holding Fixture
828	1 617 000 697	Striker Pin
830	1 617 000 6CT	Drive bearing
861	1 615 820 097	Switching Element
120	1 602 025 07H	Auxiliary Handle
121	1 617 000 475	Support clamp
124	1 611 316 021	Clamping Band Ø50 MM
125	1 613 490 002	T-Head Bolt M8x40 MM
688	2 603 001 009	Depth-Gauge
822	1 602 025 08X	Auxiliary Handle
870	1 613 523 011	Drill Chuck Shank 1/2", SDS-Plus
870/2	2 603 421 226	Countersunk-Head Screw M6x27 LEFTHAND THREADS
871	1 608 571 069	Chuck Ø1,5-13 MM, 1/2"
872	2 607 950 007	Chuck Wrench SG2
895	1 615 438 431	Lock for 1 615 438 429 + 1 615 438 430
896	1 615 430 001	Grease Tube 225 ML
897	1 615 430 002	Grease Tube 225 ML



Illustration - Type - E

3 611 B67 083  
Issue |  
Stand | 15-03-30 **Fig./Abb. 2**



Modifications reserved  
Änderungen vorbehalten  
Modifications réservées  
Salvo modificaciones