



**BOSCH**

# Rotary Hammer

GBH 2-26 DFR | 0 611 254 743

---

## Table of Content

Spare parts list.....	2
Illustration - Type.....	5

Spare parts list

Item	Part Number	Description
2	1 619 P02 428	Field 1619P02428
3/13	1 610 905 025	groove ball bearing 7x19x6
3/5	1 616 610 094	Fan
4	1 607 200 32D	Switch
4/102	1 614 449 015	Connecting Cable
5	1 614 460 090	Power supply cord CN 4,15m 2 x 1,0mm H07 RN-F
6	1 600 703 034	Grommet Ø7,3-Ø8,6x66 MM
9	1 611 110 Z35	Manufacturer's nameplate GBH 2-26 DFR
10	1 611 110 Z36	Manufacturer's nameplate GBH 2-26 DFR
11	1 611 110 X17	Reference Plate
14	0 611 253 704	Rotary Hammer
16	1 619 P16 871	Brush Plate
17	1 614 465 011	Suppression Filter
19	1 611 329 024	Switch Contact
22	1 616 312 004	Cylindrical Gear
27	1 610 311 018	Striker
28	1 613 124 082	Striker Pin
29	1 613 105 012	Piston Pin
31	1 610 913 016	Needle-Roller Assembly
32	1 612 026 157	Clamp Handle BLACK
32/46	1 614 690 002	Driver Pin
32/49	1 612 026 035	Switch Button RED
32/76	1 610 210 046	O-Ring 10,5x2,7 MM
32/83	1 614 611 006	Compression Spring
34	1 610 190 067	Supporting Disc
35	1 610 202 024	Plain bearing
36	1 611 016 003	Holding Plate
37	1 613 100 019	Straight Pin DIN6325-2,5x12-RIKO
38	1 610 190 048	Catch Disk
41	1 615 500 343	Housing Cover BLUE
42	1 610 290 099	Thrust Ring
45	1 619 P09 825	Air-Deflector Ring
46	1 610 390 066	Guide Bushing
48	1 611 098 008	Tab Washer

Spare parts list

Item	Part Number	Description
49	1 615 700 044	End Shield
50	1 614 611 020	Compression Spring
54	1 610 502 016	Rubber Bushing
55	1 610 290 079	Seal Ring 53,0x7,0 MM
56	1 616 B00 086	O-Ring
57	1 610 210 068	O-Ring 24,0x2,5 MM
58	1 610 210 178	O-Ring
59	1 600 A00 9VC	Shaft Seal
60	1 610 210 176	O-Ring 9,0x3,5 MM
63	1 610 910 063	Needle bearing Ø30xØ37x12 MM
64/1	1 610 190 060	Supporting Disc
66	1 610 202 021	Plain bearing
68	1 610 283 036	Rotary shaft lip seal
71	1 610 101 011	Shim washer 1,2 MM THICK
72	1 604 601 027	Retaining ring
76	1 603 430 00A	Thread-forming tap. Screw
77	2 603 490 024	Torx Oval-Head Screw 4x25
78	2 603 490 022	Screw 4x16
79	1 613 435 023	Thread-forming tap. Screw
80	1 613 435 043	Screw
82	1 614 601 034	Retaining ring
96	1 614 601 046	Retaining ring
101	1 614 449 014	Connecting Cable
106/105	1 614 611 021	Compression Spring
180	1 619 P06 510	Warning Plate
356/217	2 603 421 229	Countersunk-Head Screw M6x23 LEFTHAND THREADS
390/89	1 600 A00 NC8	Guide Sleeve
390/90	1 610 590 016	Collar Sleeve
390/91	1 610 200 033	Backup ring
390/95	1 614 643 016	Compression Spring
390/97	1 614 601 047	Retaining ring
801	1 617 000 558	Motor Housing BLUE
803	1 619 P10 005	Armature set
807	2 601 035 001	Cable Clip

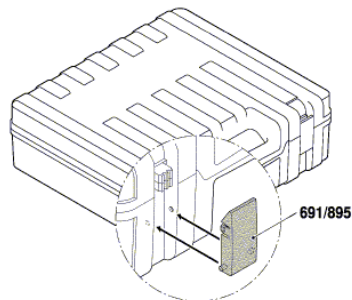
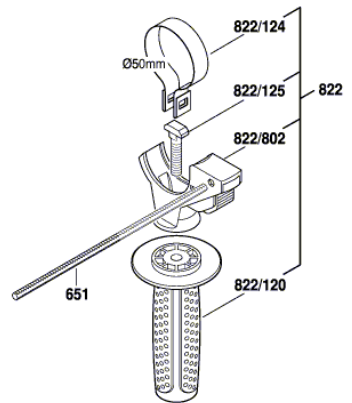
Spare parts list

Item	Part Number	Description
808	1 619 P06 505	Nameplate
811	1 617 000 525	Carbon-Brush Set
820	1 617 000 6DX	Intermediate Flange
821	1 617 000 V42	Pipe
823	1 617 000 579	Toothed Shaft
824	1 617 000 6EJ	Toothed Shaft
825	1 617 000 895	Tool Holding Fixture
825/203	1 610 508 047	Protective Cap
826	1 600 A01 U34	Hammer Piston
828	1 617 000 V43	Striker Pin
830	1 600 A01 U33	Drive bearing
833	1 610 590 014	Holding Jacket
840	1 617 000 581	Gear Housing
861	1 615 820 097	Switching Element
864	1 617 000 A07	Supporting Disc
866	1 614 611 022	Plain bearing
883	1 604 601 028	Retaining ring A22 DIN 7993
890	1 617 000 V41	Guide Sleeve
891	1 617 000 6CS	Hammer Pipe
651	1 613 001 009	Depth-Gauge SW 6x210 MM
691/895	1 615 438 409	Lock for 1 615 438 486+...358+...367
691/895	1 615 438 431	Lock for 1 615 438 429 + 1 615 438 430
822	1 602 025 08X	Auxiliary Handle
822/120	1 602 025 07H	Auxiliary Handle
822/124	1 611 316 021	Clamping Band Ø50 MM
822/125	1 613 490 002	T-Head Bolt M8x40 MM
822/802	1 617 000 475	Support clamp



Illustration - Type - E

0 611 254 704  
Issue |  
Stand | 12-01-17 **Fig./Abb. 2**



Modifications reserved  
Änderungen vorbehalten  
Modifications réservées  
Salvo modificaciones